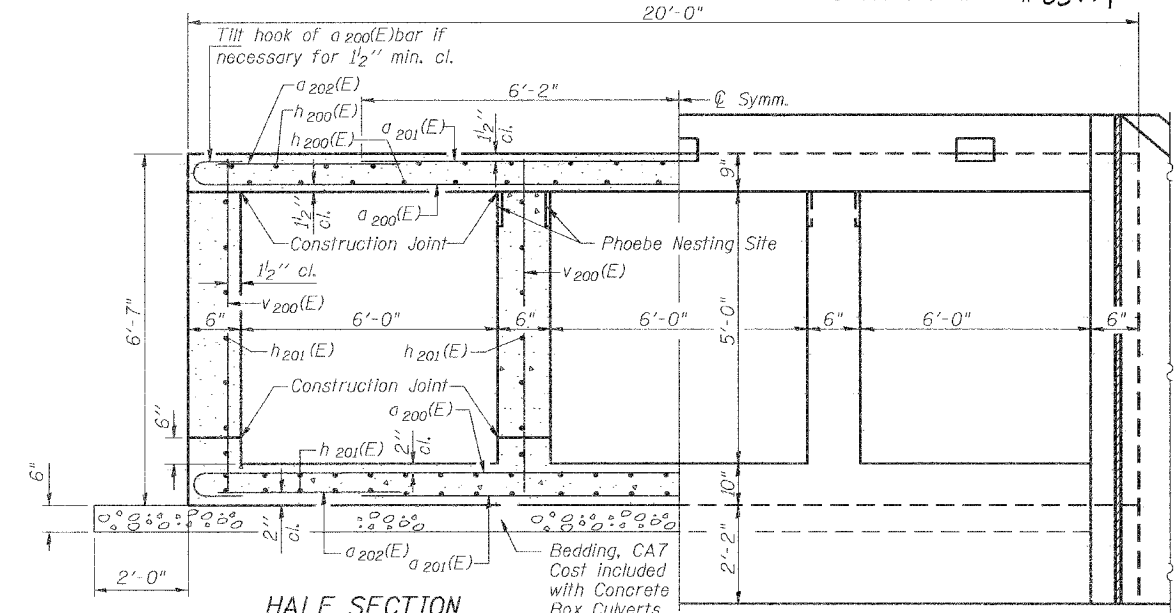


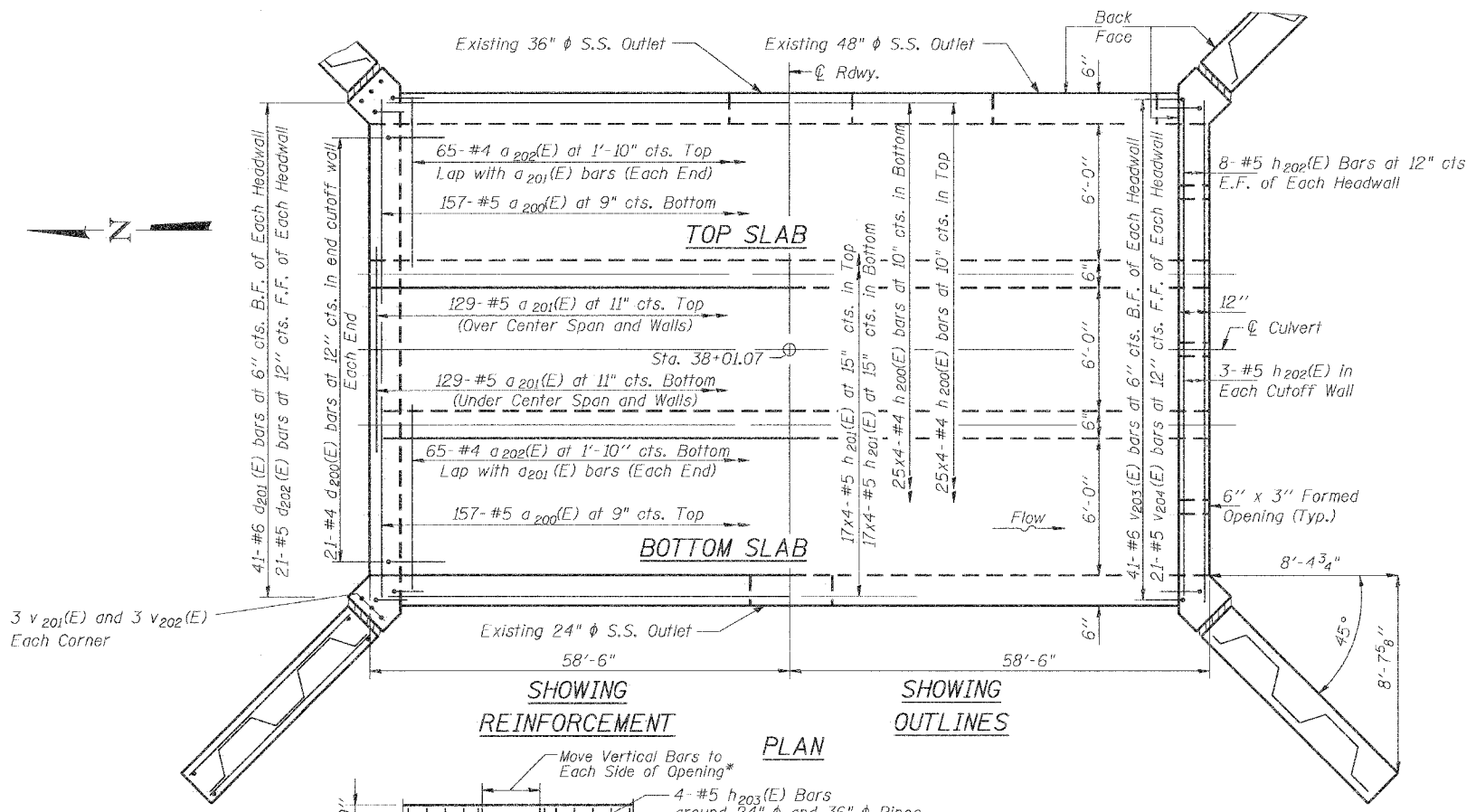
**HALF LONG SECTION**  
Showing bars in Inside Walls  
(Looking East)

**HALF ELEVATION**  
Showing bars in Outside Walls  
(Looking East)



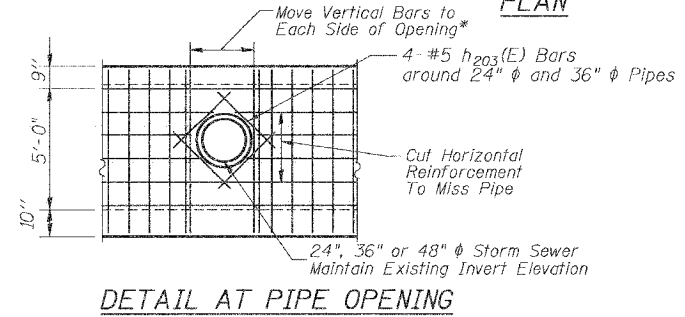
**HALF SECTION THRU BARREL**

**HALF END ELEVATION**



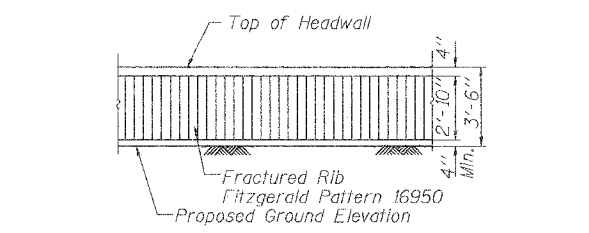
**SHOWING REINFORCEMENT**

**SHOWING OUTLINES**

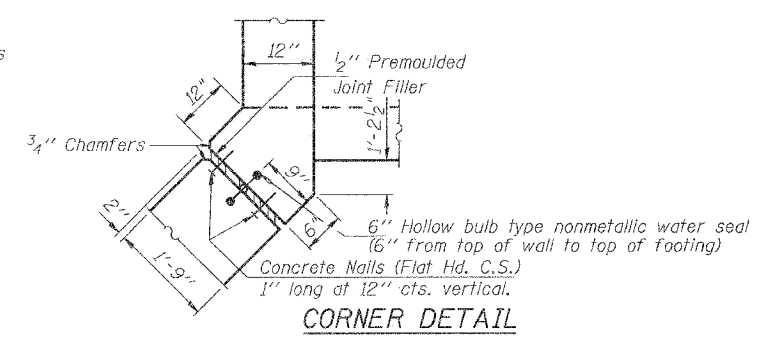


**DETAIL AT PIPE OPENING**

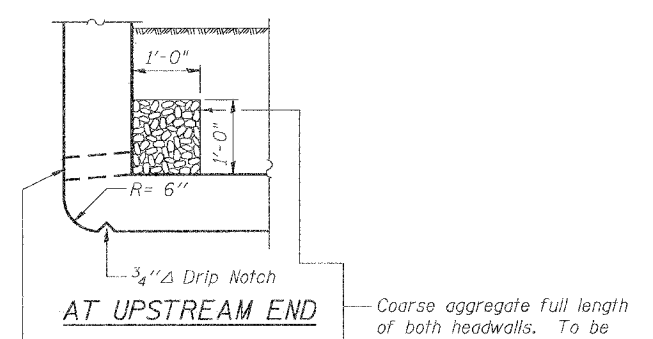
\* For 48" pipe, cut vertical bars and place remainder of cut bars around pipe.



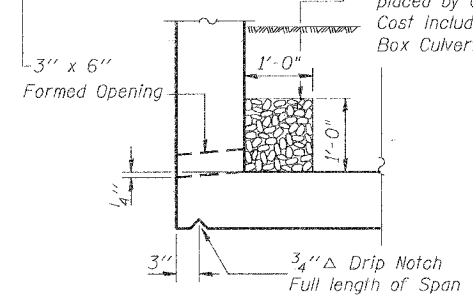
**FORM LINER TEXTURED SURFACE DETAIL**



**CORNER DETAIL**

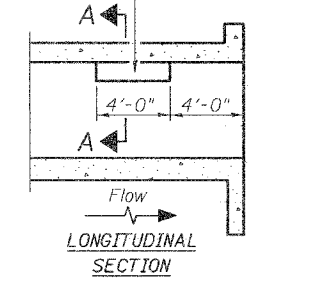


**AT UPSTREAM END**

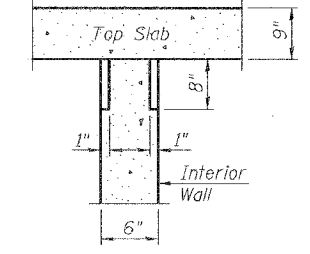


**AT DOWNSTREAM END**

Notch formed by rough finished board attached to and removed with formwork, each interior wall. (Do not chamfer).



**LONGITUDINAL SECTION**



**SECTION A-A PHOEBE NESTING SITE DETAILS**

(Downstream End Only)

Notes: Reinforcement bars designated (E) shall be epoxy coated.  
Bars indicated thus 12x4-#5 etc. indicates 12 lines of bars with 4 lengths per line.

**CULVERT PLAN AND SECTIONS**

PRATT BOULEVARD OVER WILLOW CREEK  
SECTION 02-00048-00-BR  
COOK COUNTY  
STATION 38+01.07

11/01/2004 04:53:29 PM G:\CH03\023\Structural\CPPratt.sht

DESIGNED	SLD
CHECKED	RLP
DRAWN	BAW
CHECKED	SLD