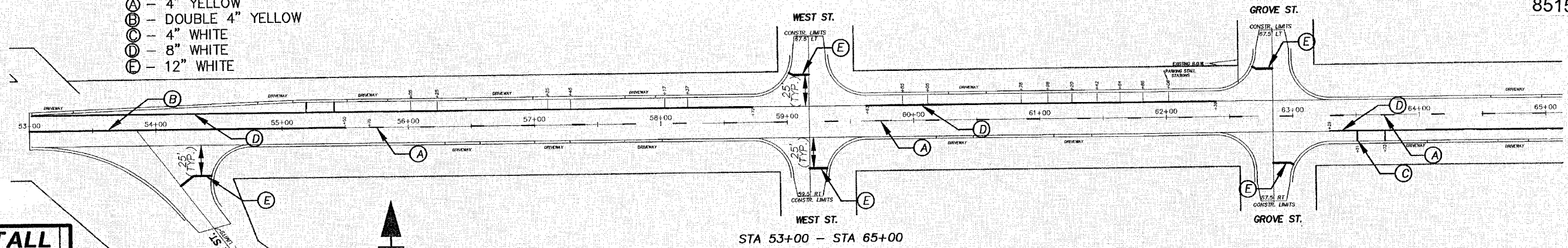


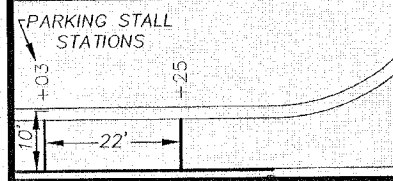
PAVEMENT MARKING DETAILS

LEGEND

- (A) - 4" YELLOW
- (B) - DOUBLE 4" YELLOW
- (C) - 4" WHITE
- (D) - 8" WHITE
- (E) - 12" WHITE

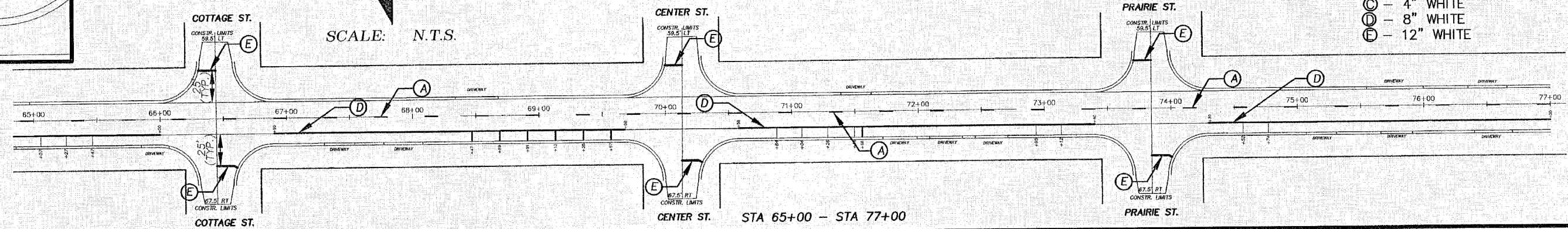


PARKING STALL DETAIL

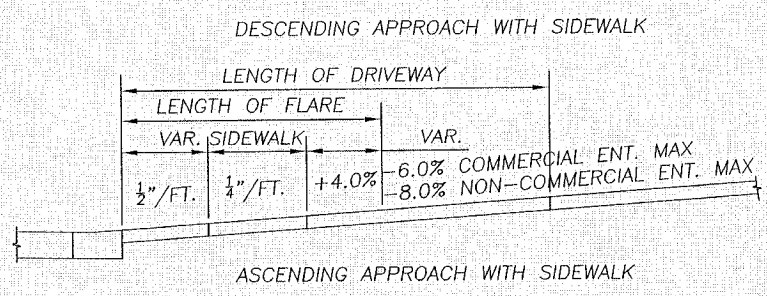
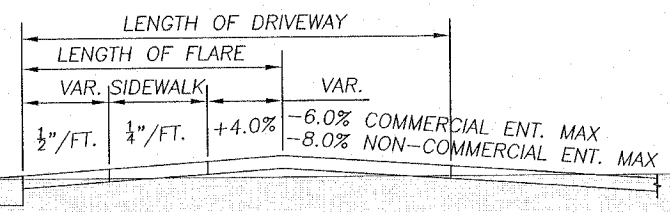
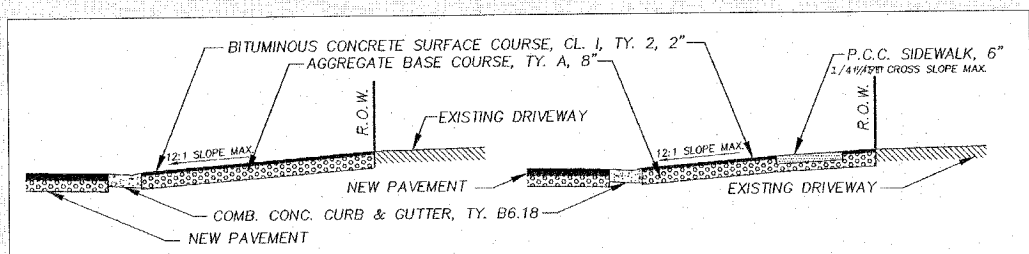


LEGEND

- (A) - 4" YELLOW
- (B) - DOUBLE 4" YELLOW
- (C) - 4" WHITE
- (D) - 8" WHITE
- (E) - 12" WHITE



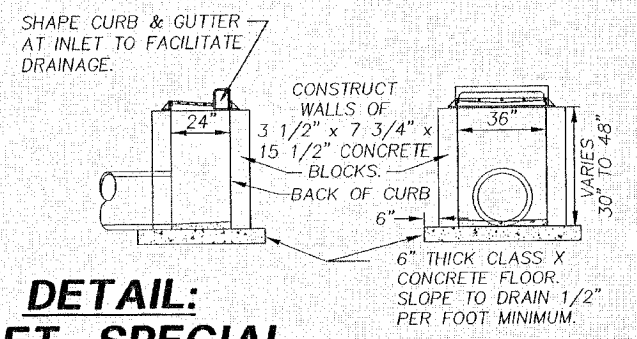
DRIVEWAY DETAILS



SCALE: N.T.S.

SECTION B-B

SECTION A-A

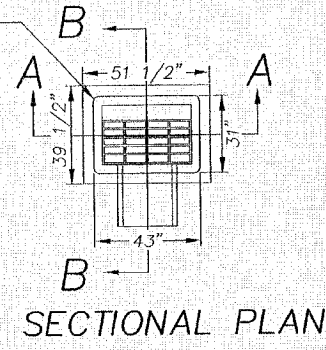


DETAIL: INLET, SPECIAL TYPE 9 FRAME & GRATE

CURB INLET FRAME, GRATE & CURB BOX TO BE NEENAH CATALOG NO. R-3246 OR DEETER CATALOG NO. 2045 OR AN APPROVED EQUAL. (TOTAL WEIGHT: APPROX. 525 LBS.) USE NEENAH CATALOG NO. R-3290-A OR DEETER CATALOG NO. 2060 OR AN APPROVED EQUAL AT DRIVEWAY LOCATIONS AND IN GUTTERS.

NOTES:

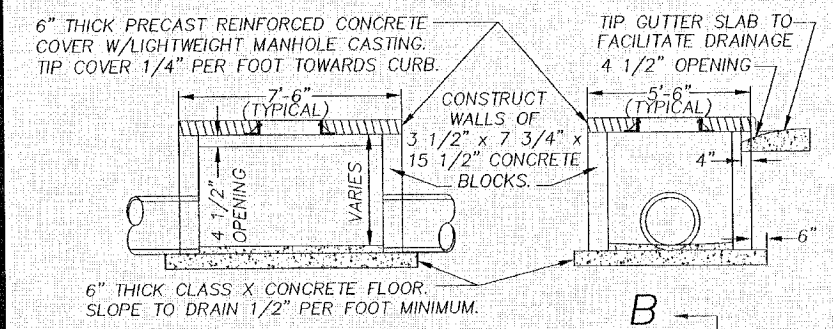
- PIPE SIZES AND LOCATIONS TO VARY.
- ALL EXCAVATION, BACKFILLING, CLASS X CONCRETE, CONCRETE BLOCKS, MANHOLE FRAMES AND COVERS, REINFORCEMENT BARS, ETC. USED IN CONSTRUCTION SHALL BE PAID FOR AT THE CONTRACT UNIT PRICE FOR INLETS, SPECIAL TYPE 9, FRAME & GRATE FOR EACH.



SCALE: N.T.S.

SECTION B-B

SECTION A-A

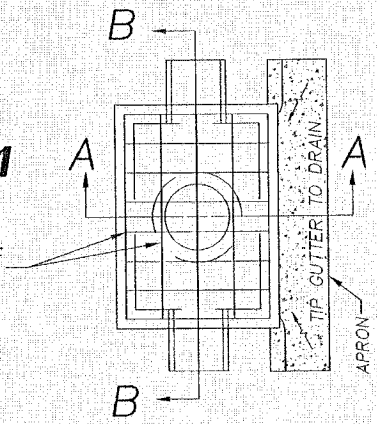


DETAIL: INLET, SPECIAL, NO. 1

REINFORCEMENT IN COVER, NO. 4 BARS & LIGHTWEIGHT MANHOLE CASTING.

NOTES:

- PIPE SIZES AND LOCATIONS TO VARY.
- ALL EXCAVATION, BACKFILLING, CLASS X CONCRETE, CONCRETE BLOCKS, MANHOLE FRAMES AND COVERS, REINFORCEMENT BARS, ETC. USED IN CONSTRUCTION SHALL BE PAID FOR AT THE CONTRACT UNIT PRICE FOR INLETS, SPECIAL, NO. 1 FOR EACH.



SECTIONAL PLAN
REVISED PC 10/7/04
REVISED 09/08/04

SCALE: N.T.S.

CES INC.
CIVIL ENGINEERING SERVICES
700 WEST LOCUST ST., BELLEVILLE, IL 61008
(815)-547-8435 FAX: (815)-544-0421