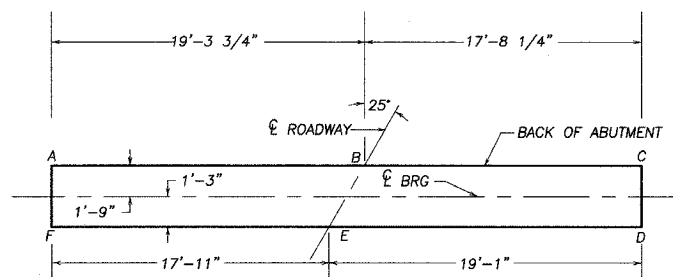


**ELEVATION - ABUTMENT**

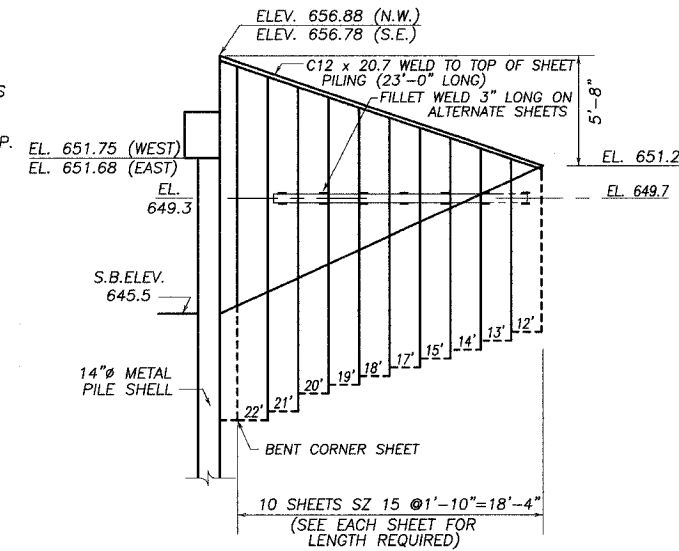
\* SEE TABLE "ELEVATION TOP OF ABUTMENTS" - THIS SHEET



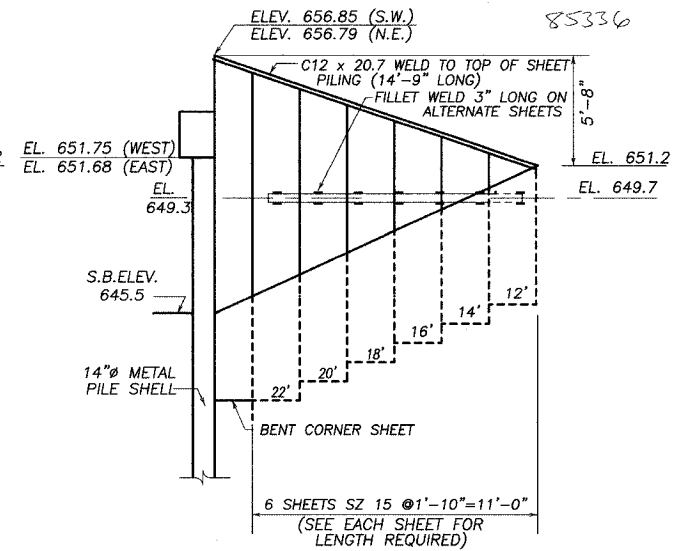
LOCATION	ELEV.	A	B	C	D	E	F
W. ABUT.		654.25	654.54	654.30	654.28	654.54	654.27
E. ABUT.		654.19	654.46	654.20	654.18	654.46	654.21

**ELEVATION TOP OF ABUTMENTS**

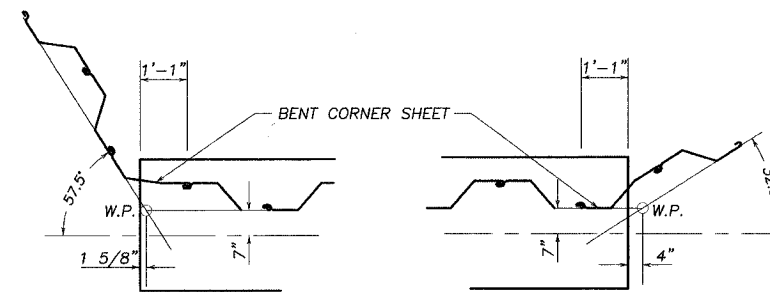
HATCHED AREA SHALL BE POURED AFTER DECK BEAMS ARE SET AND ANCHORED, AND SHALL EXTEND FROM END OF CAP TO END OF CAP.



**LONG WINGWALL ELEVATION**



**SHORT WINGWALL ELEVATION**



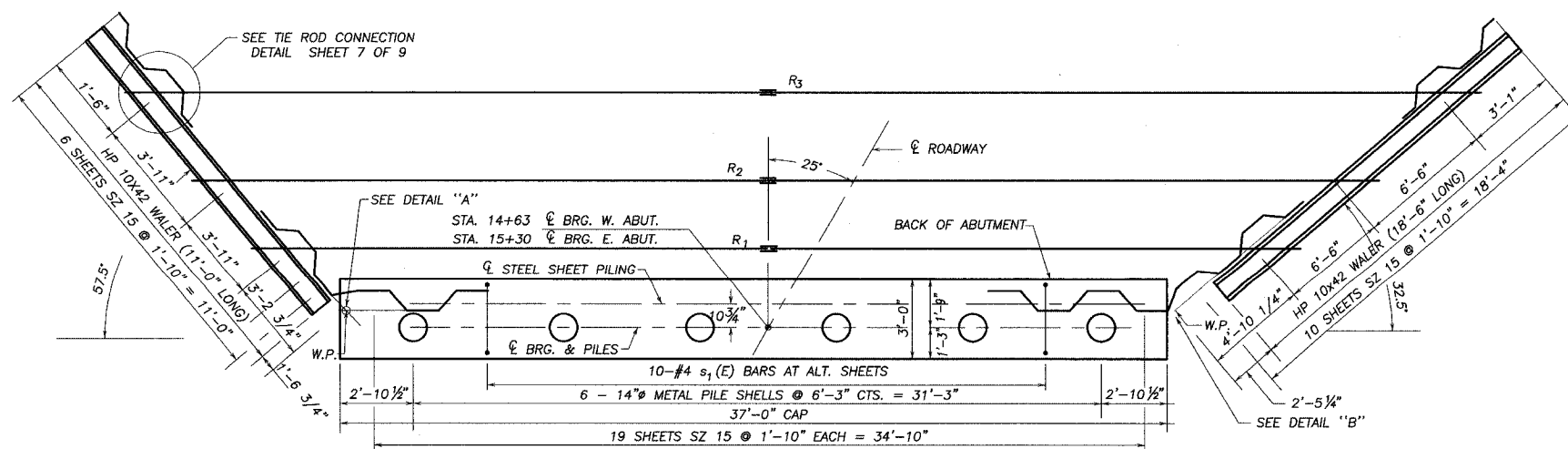
**DETAIL "A"**

**DETAIL "B"**

**BILL OF MATERIAL 2 ABUTMENTS**

BAR	NO.	SIZE	LENGTH	SHAPE
h(E)	12	#4	36'-9"	—
p(E)	20	#7	36'-9"	—
s(E)	72	#4	9'-9"	□
s1(E)	20	#4	6'-11"	□
u(E)	16	#6	12'-7"	□
u1(E)	74	#4	6'-10"	□
CONCRETE STRUCTURES			CU. YD.	28.8
REINFORCEMENT BARS, EPOXY COATED			POUND	3000
FURN. METAL PILE SHELLS 14"			FOOT	506
DRIVING & FILLING SHELLS			FOOT	506
TEST PILES, METAL PILE SHELLS 14"			EACH	1
STEEL SHEET PILING			SQ. FT.	2408
FURN. & ERECT. STRUCTURAL STEEL			POUND	4041
HARDWARE			POUND	1594

BARS DESIGNATED (E) SHALL BE EPOXY COATED.



**PLAN**

**PILE DATA**

TYPE	14" METAL PILE SHELLS
CAPACITY	48 TON
NO. REQUIRED	11+1 TEST PILE AT EAST ABUT.
EST. LENGTH	46'

**SUBSTRUCTURE - ABUTMENTS**  
**SECTION 01-00278-00-BR**  
**COUNTY HIGHWAY 16 (F.A.S. 186)**  
**LEE COUNTY**  
**S.N. 052-3332**