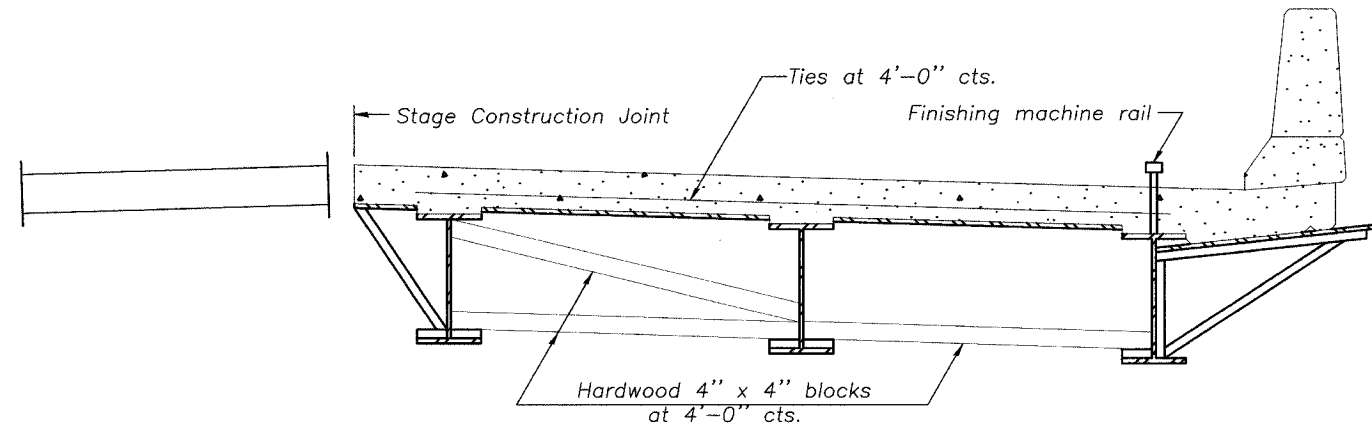


FAS ROUTE NO.	SEC	COUNTY	TOTAL SHEETS	SHEET NO.
-	*	DEKALB	26	26a

ILLINOIS PROJECT BRS-
* 99-00103-01-BR



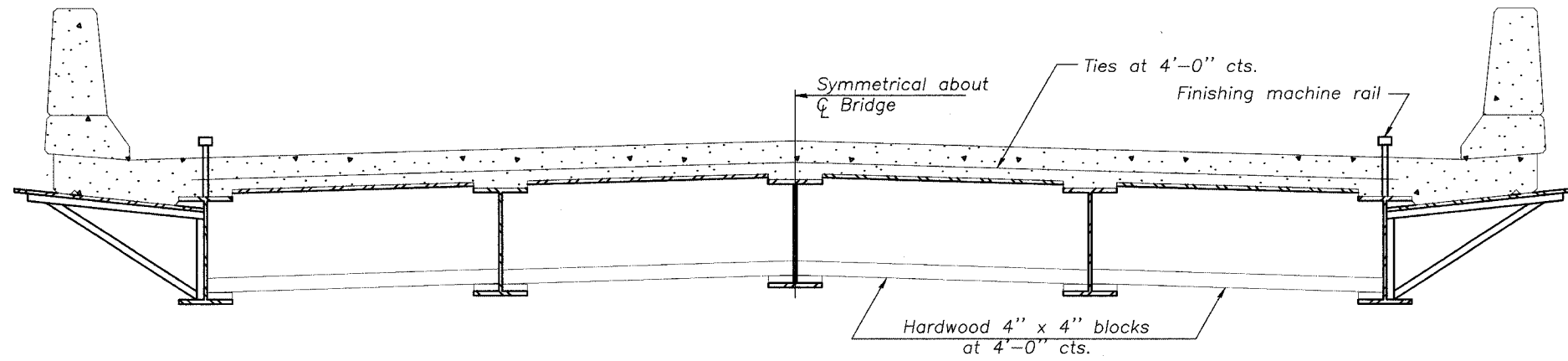
**FORM BRACES FOR
STAGE CONSTRUCTION**

When cantilever forming brackets are used, the work shall be done according to Article 503.06, except as modified below and in the details shown on this sheet.

The finishing machine rails shall be placed on the top flange of the exterior beams.

The beams or girders, supporting cantilever forming brackets, shall be tied together at 4 foot intervals.

For Standard construction, or Stage Construction the Hardwood bracing materials shall be placed as shown between webs of beams in each bay.



**FORM BRACES FOR
STANDARD CONSTRUCTION**

**CANTILEVER FORMING BRACKETS
FOR SUPERSTRUCTURES WITH
W27 BEAMS AND SMALLER
SECTION 99-00103-01-BR
KIRKLAND ROAD
DEKALB COUNTY
S.N. 019-3040**