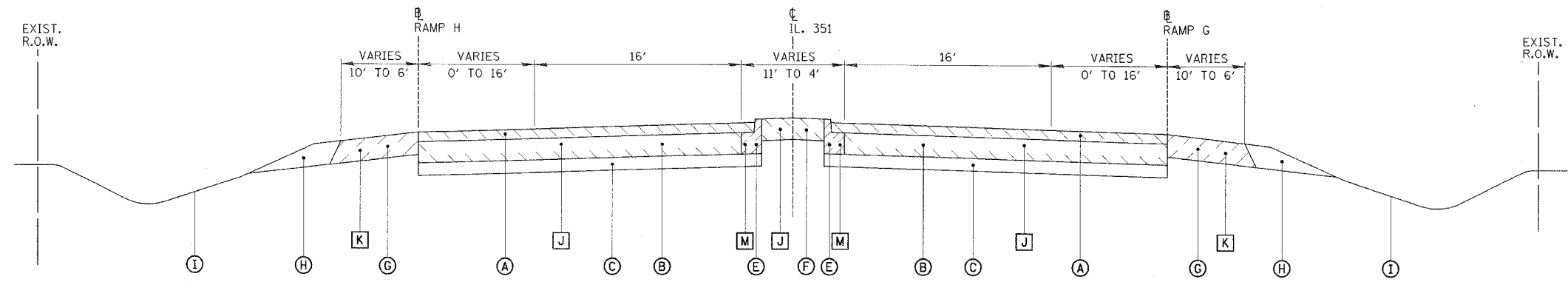
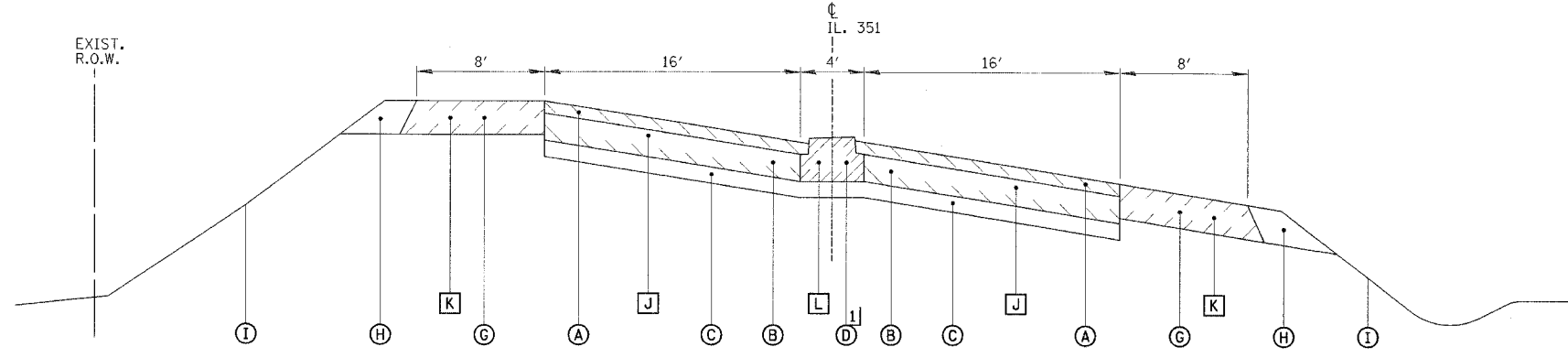


RTE.	SECTION	COUNTY	TOTAL SHEETS	SHEET NO.
FA180	(50-2)HBR	LA SALLE	460	20
STA.		TO STA.		
FED. ROAD DIST. NO.		ILLINOIS FED. AID PROJECT		

**CONTRACT NO. 86603**



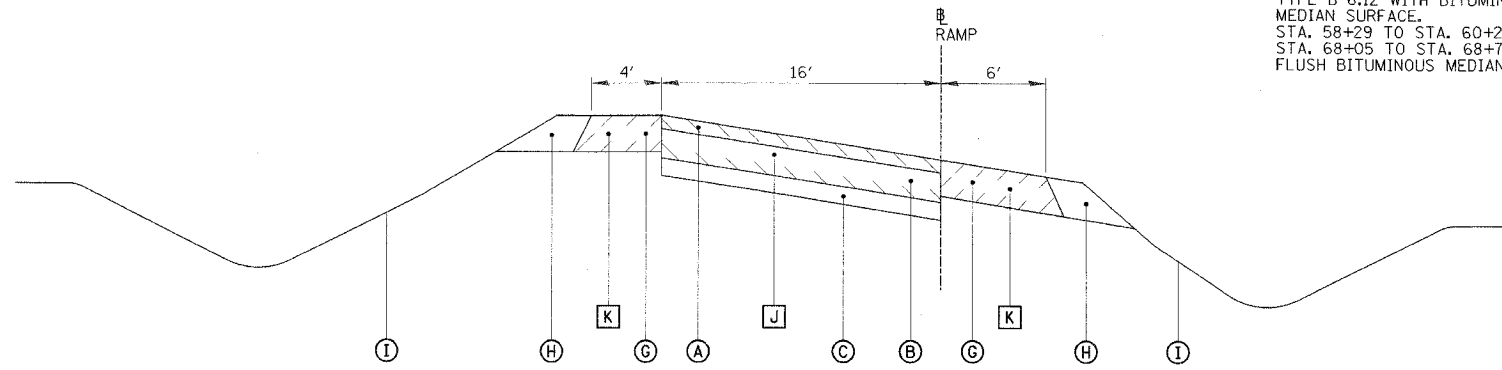
**TYPICAL SECTION - ILLINOIS ROUTE 351**  
STATION 48+00 TO STATION 57+25



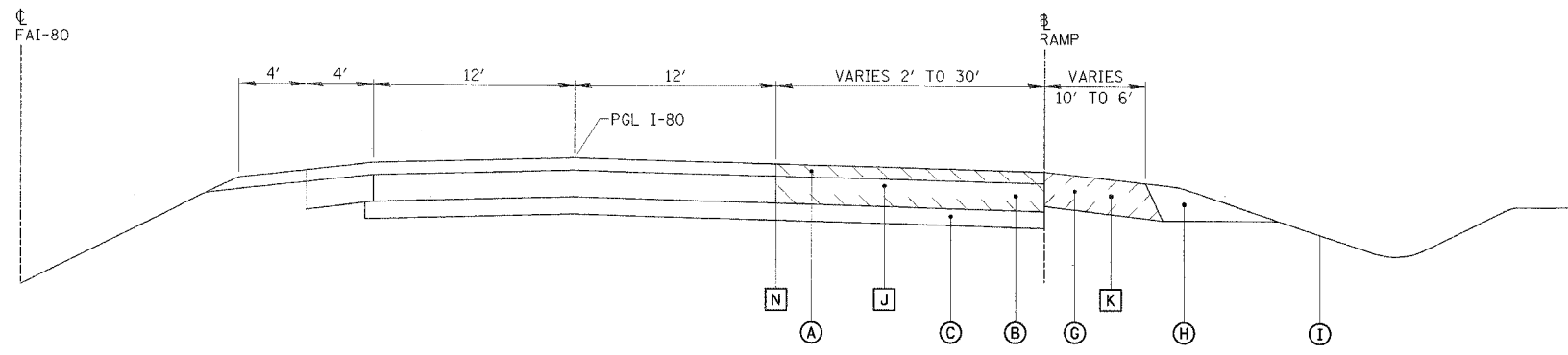
**TYPICAL SECTION - ILLINOIS ROUTE 351**  
STATION 57+25 TO STATION 68+76.63

J STA. 57+25 TO STA. 58+29  
COMBINATION CURB AND GUTTER,  
TYPE B-6.12 WITH BITUMINOUS  
MEDIAN SURFACE.  
STA. 58+29 TO STA. 60+29 AND  
STA. 68+05 TO STA. 68+76.63  
FLUSH BITUMINOUS MEDIAN SURFACE.

- LEGEND**
- (A) BITUMINOUS CONCRETE SURFACE COURSE AND BINDER COURSES, 4 1/2" AND VARIES
  - (B) PORTLAND CEMENT CONCRETE PAVEMENT, 10" AND VARIES
  - (C) AGGREGATE SUB-BASE, 6" AND VARIES
  - (D) PORTLAND CEMENT CONCRETE MEDIAN, TYPE SB-6.06
  - (E) COMBINATION CONCRETE CURB AND GUTTER, TYPE B-6.12
  - (F) BITUMINOUS CONCRETE MEDIAN SURFACE, 8" AND VARIES
  - (G) BITUMINOUS SHOULDERS, 8" AND VARIES
  - (H) AGGREGATE SHOULDER
  - (I) EXISTING GROUNDLINE
  - (J) PAVEMENT REMOVAL
  - (K) PAVED SHOULDER REMOVAL
  - (L) MEDIAN REMOVAL
  - (M) COMBINATION CURB AND GUTTER REMOVAL
  - (N) FULL-DEPTH SAW CUT



**TYPICAL SECTION - RAMPS**



**TYPICAL SECTION - RAMPS**  
ADJACENT TO FAI 80

REVISIONS	NAME

ILLINOIS DEPARTMENT OF TRANSPORTATION  
**EXISTING TYPICAL SECTIONS**  
F.A.I. 80 AT ILLINOIS ROUTE 351

SCALE: NONE  
DATE: 09/04

DRAWN BY: JDC  
CHECKED BY: MTD