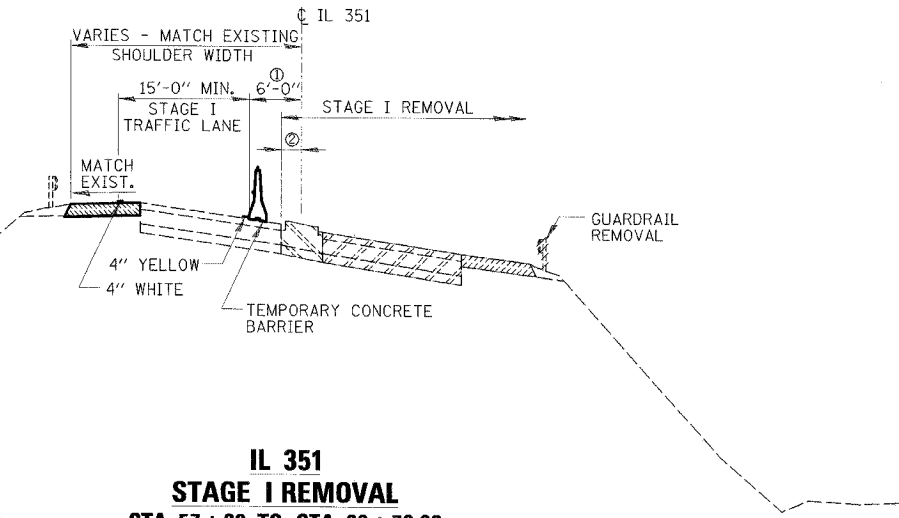


RTE.	SECTION	COUNTY	TOTAL SHEETS	SHEET NO.
FA180	(50-2)HBR	LA SALLE	460	52
STA.		TO STA.		
FED. ROAD DIST. NO.		ILLINOIS FED. AID PROJECT		

CONTRACT NO. 86603

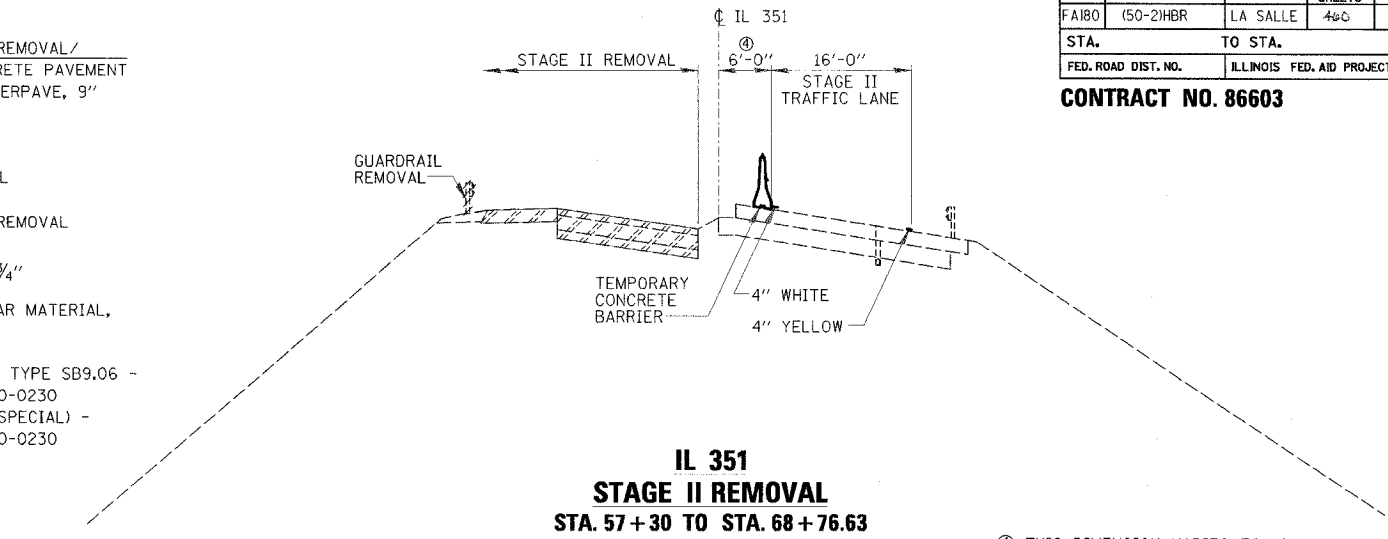
LEGEND

- PAVED SHOULDER REMOVAL / BITUMINOUS CONCRETE PAVEMENT (FULL DEPTH), SUPERPAVE, 9"
- MEDIAN REMOVAL
- PAVEMENT REMOVAL
- PAVED SHOULDER REMOVAL
- PCC SHOULDERS 9 3/4"
- SUB-BASE GRANULAR MATERIAL, TYPE A, 12"
- CONCRETE MEDIAN, TYPE SB9.06 - NORTH OF S.N. 050-0230 OR TYPE SB9.06 (SPECIAL) - SOUTH OF S.N. 050-0230



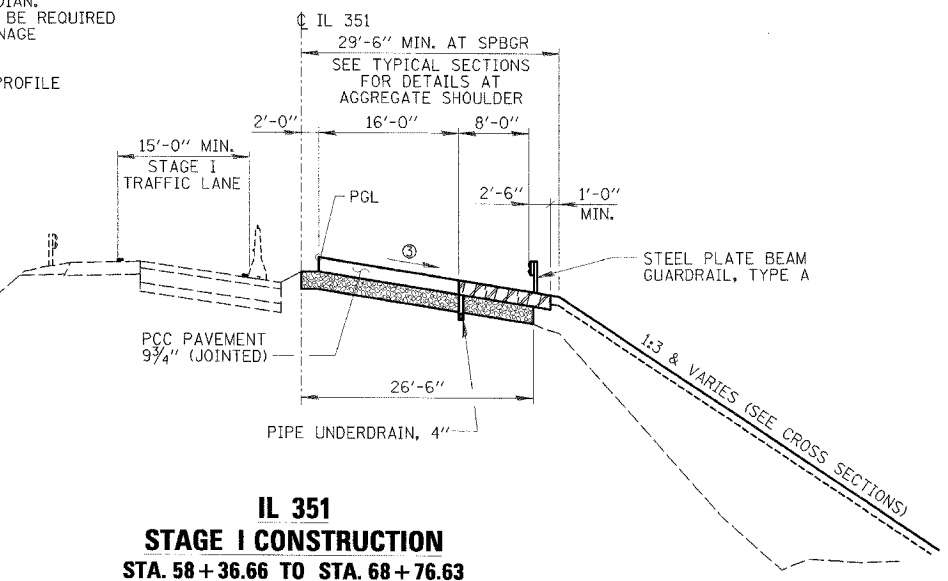
**IL 351
STAGE I REMOVAL
STA. 57+30 TO STA. 68+76.63**

- ① VARY THIS DIMENSION AS REQUIRED TO MAINTAIN 15'-0" MINIMUM TRAFFIC LANE.
- ② STAGE I REMOVAL LIMITS SHALL BE 2'-0" LEFT OF CL IL 351 FROM STA. 57+64± TO S.N. 050-0026. STAGE I REMOVAL LIMITS ELSEWHERE SHALL BE THE LEFT EDGE OF THE EXISTING MEDIAN. LOCALIZED ADDITIONAL REMOVAL MAY BE REQUIRED AT EXISTING AND/OR PROPOSED DRAINAGE STRUCTURES.
- ③ VARIES FROM +5.1% TO -8.0%. SEE PROFILE SHEETS FOR DETAILS.

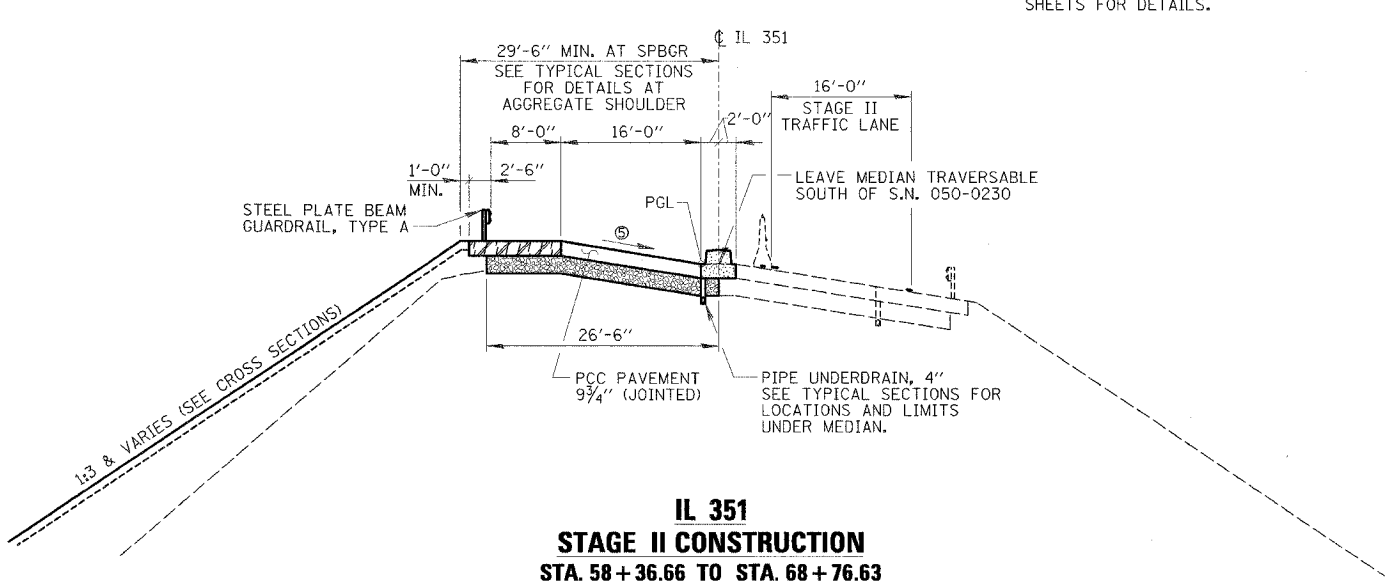


**IL 351
STAGE II REMOVAL
STA. 57+30 TO STA. 68+76.63**

- ④ THIS DIMENSION VARIES TO 10'-0" ACROSS S.N. 050-0230, SEE PLAN VIEW FOR STATION LIMITS. MAINTAIN 16'-0" TRAFFIC LANE.
- ⑤ VARIES FROM -5.1% TO +8.0%. SEE PROFILE SHEETS FOR DETAILS.

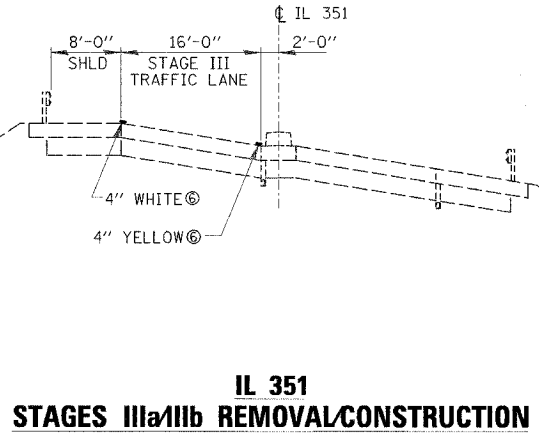


**IL 351
STAGE I CONSTRUCTION
STA. 58+36.66 TO STA. 68+76.63**



**IL 351
STAGE II CONSTRUCTION
STA. 58+36.66 TO STA. 68+76.63**

NOTE: SEE STRUCTURE PLANS FOR STAGING OF STRUCTURE REMOVAL AND CONSTRUCTION.



**IL 351
STAGES IIIa/IIIb REMOVAL/CONSTRUCTION**

- ⑥ PAVEMENT MARKINGS THAT COINCIDE WITH FINAL LOCATIONS NORTH OF S.N. 050-0230 MAY BE PERMANENT OR TEMPORARY AS DIRECTED BY THE ENGINEER. USE TEMPORARY MARKINGS SOUTH OF S.N. 050-0230.

REVISIONS	NAME

ILLINOIS DEPARTMENT OF TRANSPORTATION
STAGE CONSTRUCTION SECTIONS
F.A.I. 80 AT ILLINOIS ROUTE 351
IL 351
SCALE: NONE
DATE: 09/04
DRAWN BY: DWH
CHECKED BY: MTD