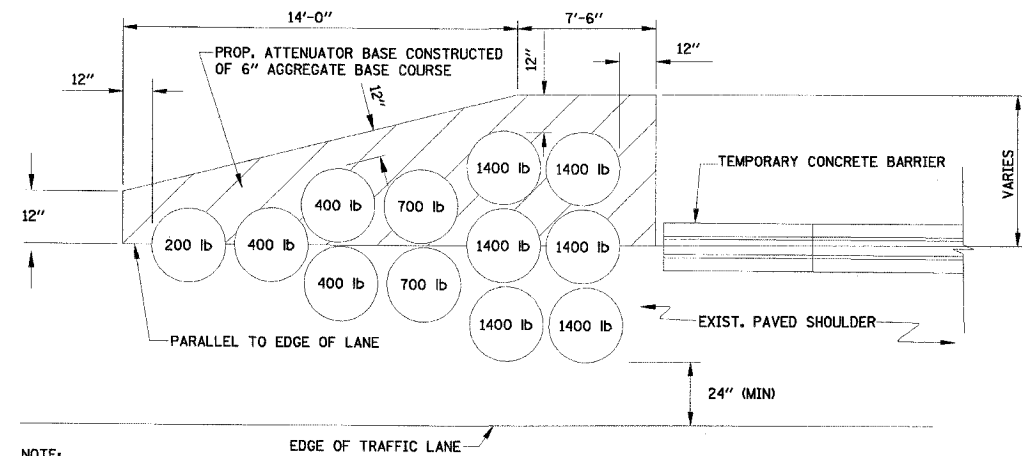


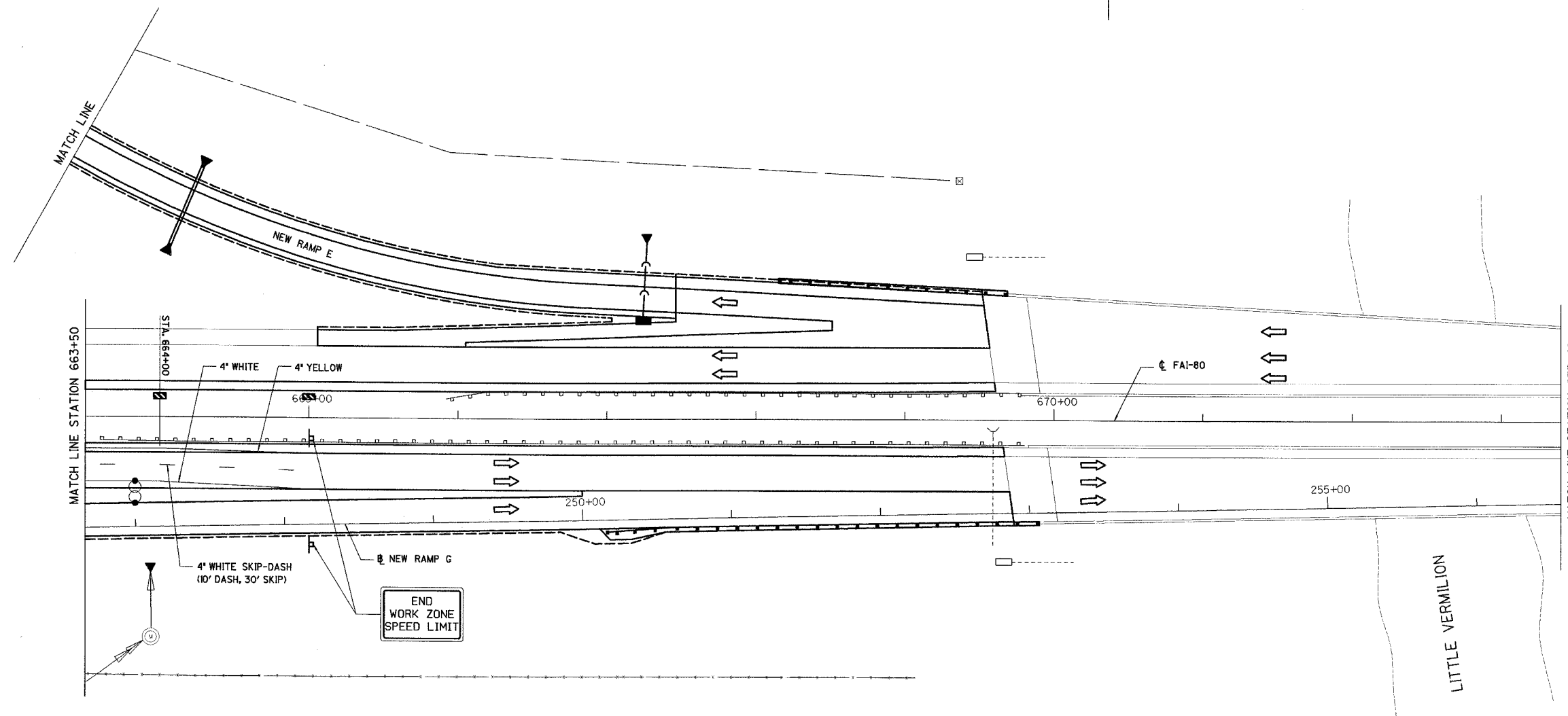
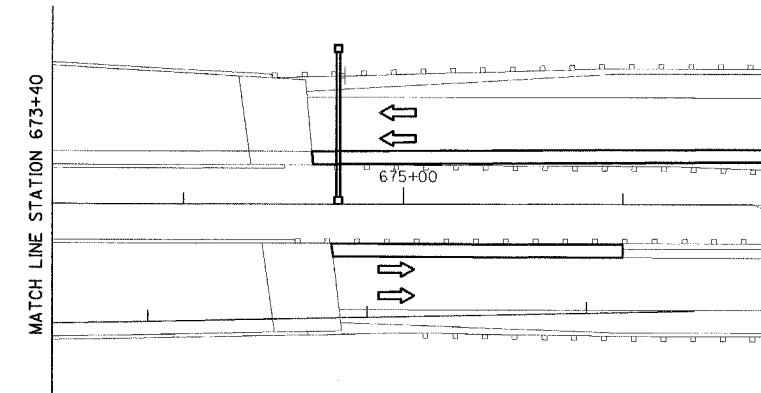
RTE.	SECTION	COUNTY	TOTAL SHEETS	SHEET NO.
FAI 80	(50-2)HBR	LA SALLE	460	83
STA. 663+50		TO STA. 676+50		
FED. ROAD DIST. NO.		ILLINOIS FED. AID PROJECT		

CONTRACT NO. 86603



NOTE:
CONSTRUCTION AND REMOVAL OF ATTENUATOR
BASE SHALL BE INCLUDED IN THE COST OF
THE IMPACT ATTENUATOR INSTALLATION.

DETAIL B
IMPACT ATTENUATORS, TEMPORARY OR RELOCATED
(NON-REDIRECTIVE), TEST LEVEL 3



REVISIONS	NAME	DATE

ILLINOIS DEPARTMENT OF TRANSPORTATION

STAGE Vb CONSTRUCTION PLAN

F.A.I. 80 AT ILLINOIS ROUTE 351
STATION 663+50 TO STATION 676+50

DATE: 09/04
DRAWN BY: MES/DWH
CHECKED BY: MTD

SCALE IN FEET