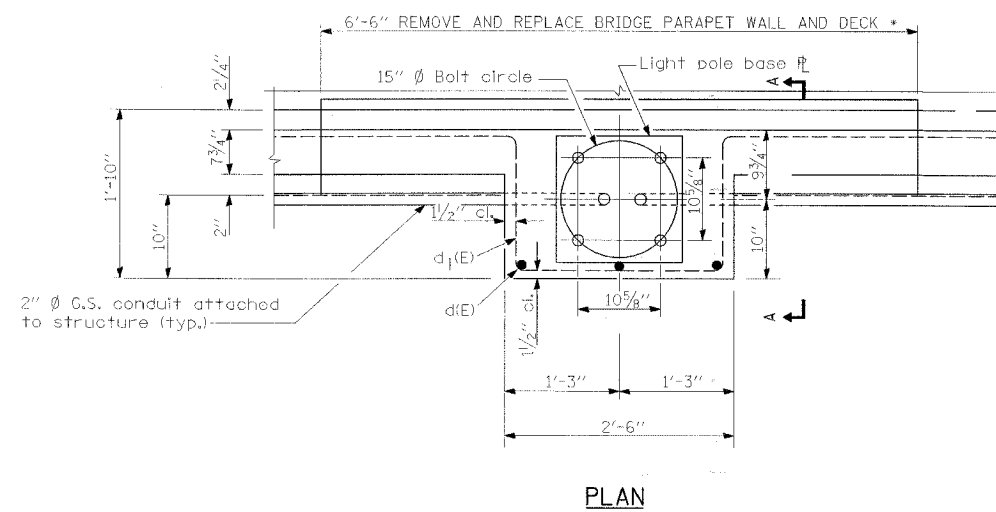
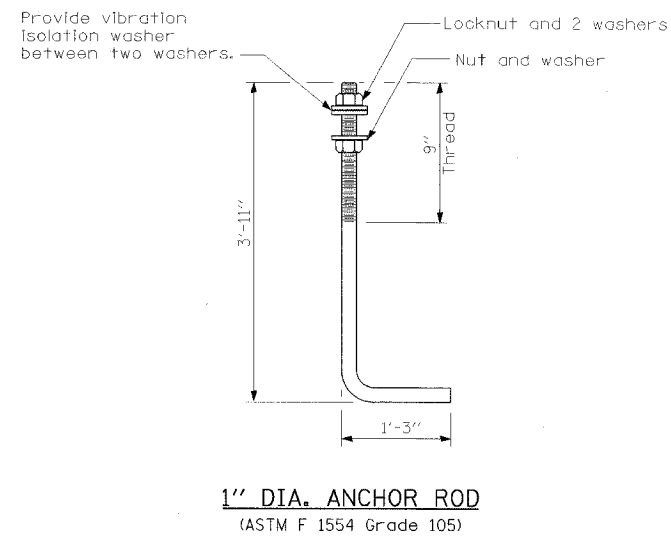
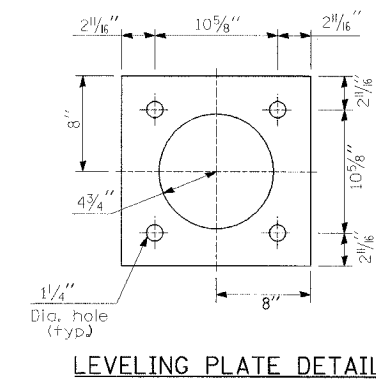
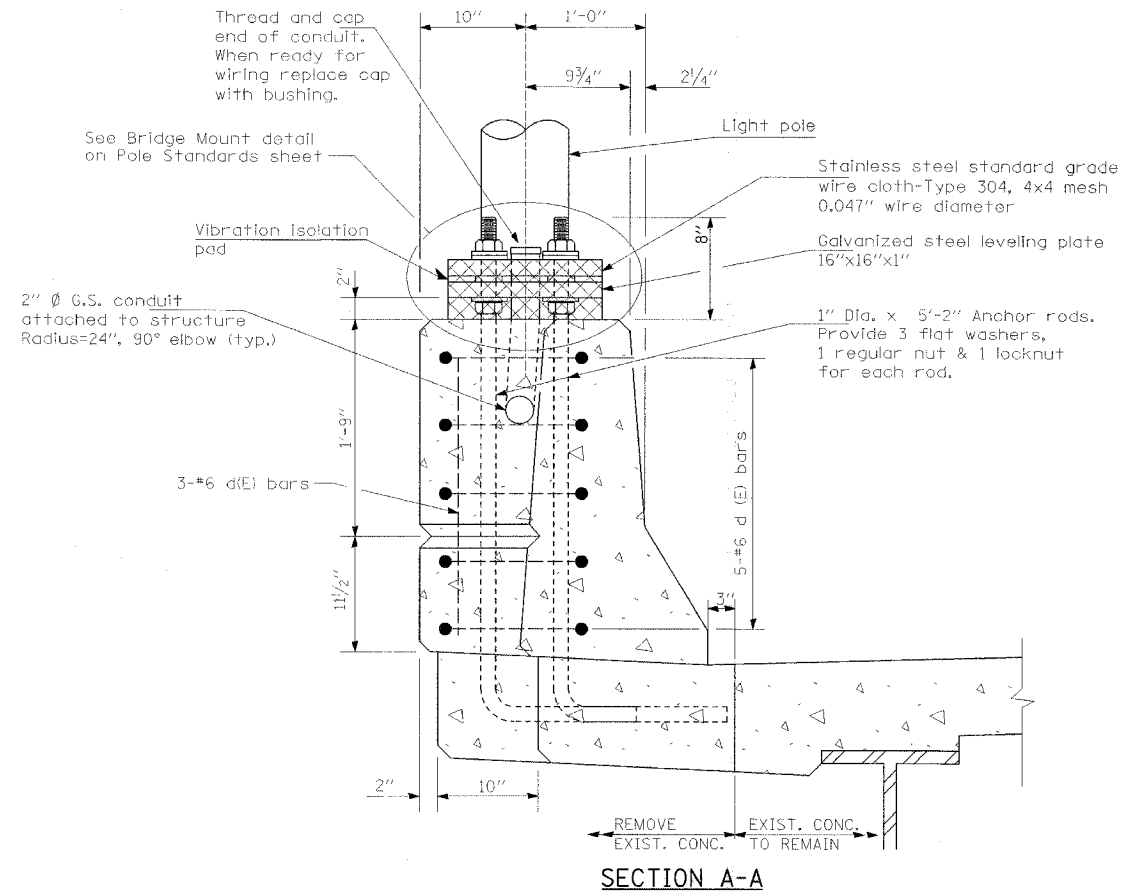
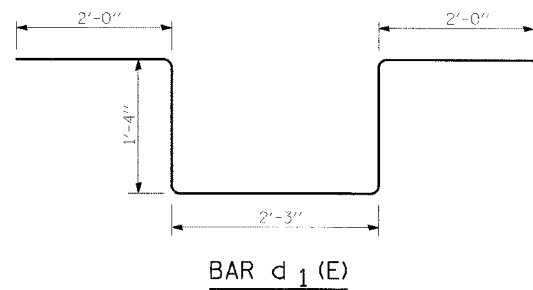
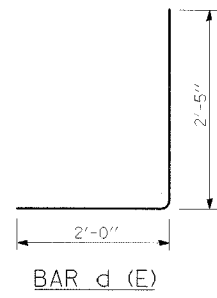


RTE.	SECTION	COUNTY	TOTAL SHEETS	SHEET NO.
FA180	(50-2)HBR	LA SALLE	440	107
STA.		TO STA.		
FED. ROAD DIST. NO.		ILLINOIS FED. AID PROJECT		

CONTRACT NO. 86603



Note: Cost of anchor rods and Leveling Plate is included with Concrete Superstructure.

* Existing Reinforcement shall be cleaned and incorporated into new concrete.

REVISIONS	NAME

ILLINOIS DEPARTMENT OF TRANSPORTATION

LIGHT POLE MOUNTED ON CONCRETE PARAPET

F.A.I. 80 AT ILLINOIS ROUTE 351

SCALE: NONE
DATE: 09/04

DRAWN BY: JOK
CHECKED BY: MTD