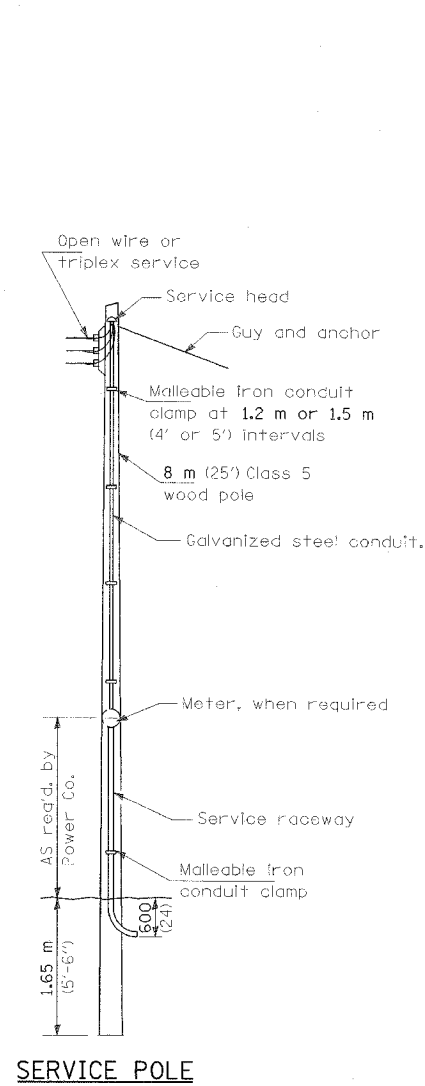
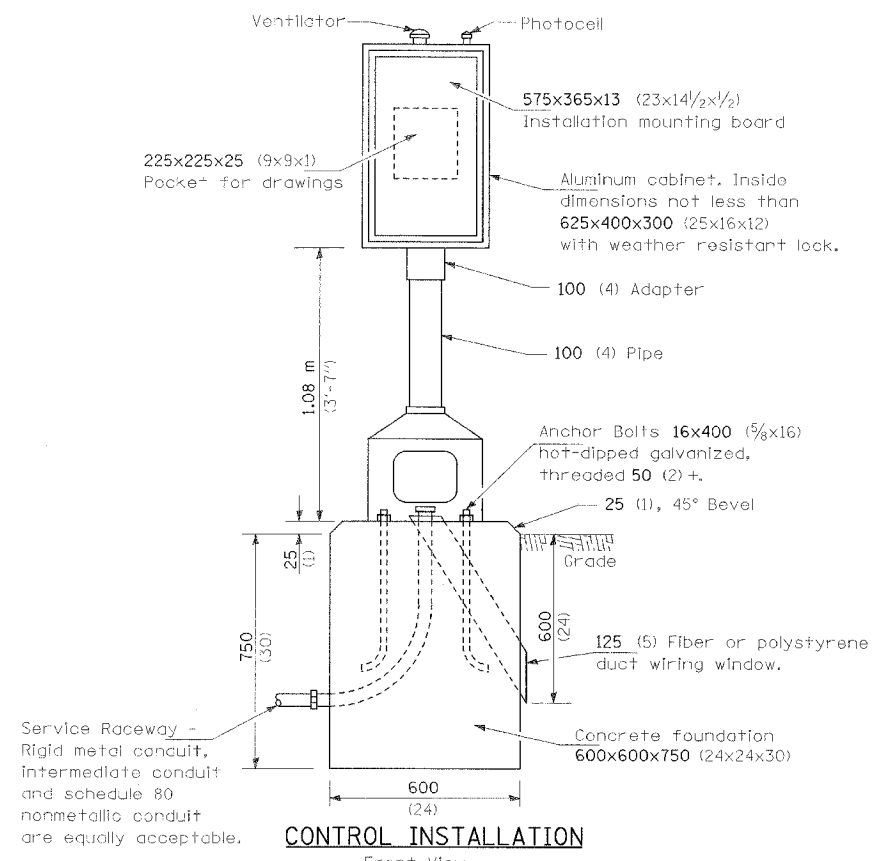


RTE.	SECTION	COUNTY	TOTAL SHEETS	SHEET NO.
FA180	(50-2)HBR	LA SALLE	440	110
STA.		TO STA.		
FED. ROAD DIST. NO.		ILLINOIS FED. AID PROJECT		

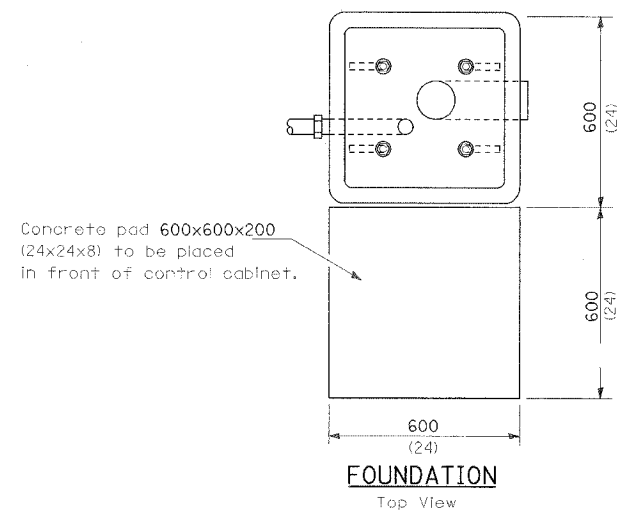
CONTRACT NO. 86603



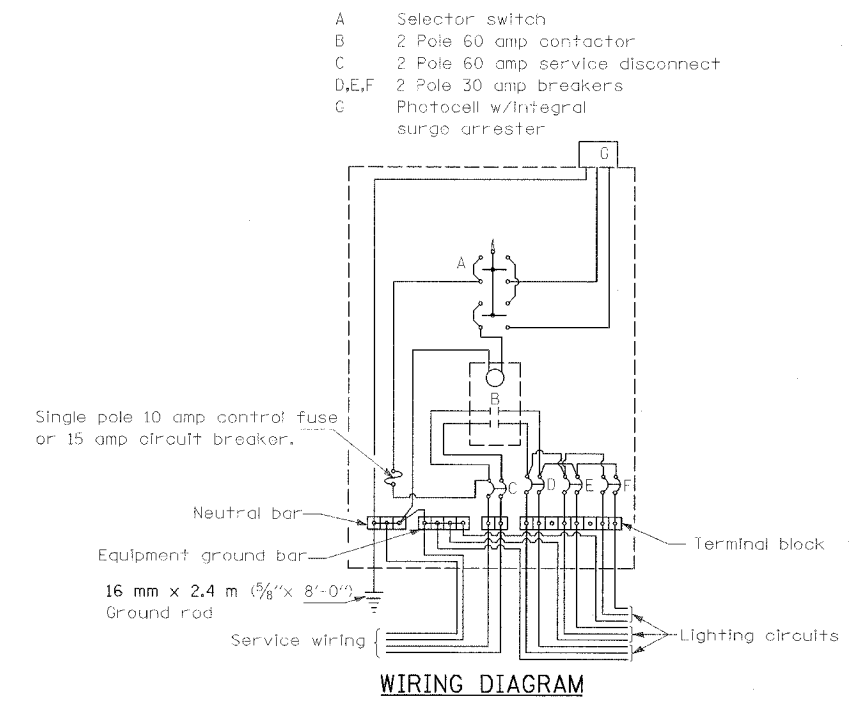
SERVICE POLE



CONTROL INSTALLATION
Front View



FOUNDATION
Top View



WIRING DIAGRAM

GENERAL NOTES

Locate service pole and control installation adjacent to R.O.W. line with a minimum distance of 9 m (30') from the edge of pavement. Exact location shall be established by the Engineer.

The underground service entrance wiring shall not exceed 46 m (150'). Total aerial and underground service between the control installation and primary transformer shall not exceed 76 m (250').

For 480 V. systems, a 480/120 V. control transformer will be required.

All dimensions are in millimeters unless otherwise shown.

- 240 V. SERVICE
- 480 V. SERVICE

REVISIONS	NAME

ILLINOIS DEPARTMENT OF TRANSPORTATION

CONTROL INSTALLATIONS

F.A.I. 80 AT ILLINOIS ROUTE 351

SCALE: NONE DRAWN BY: JDK
DATE: 09/04 CHECKED BY: MTD