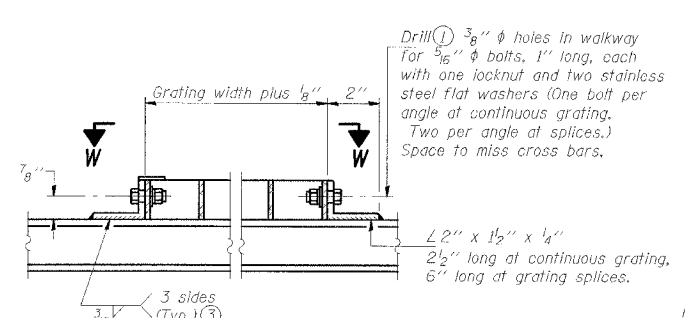
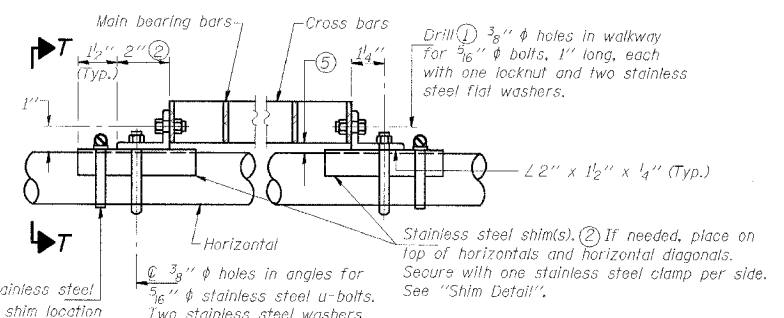


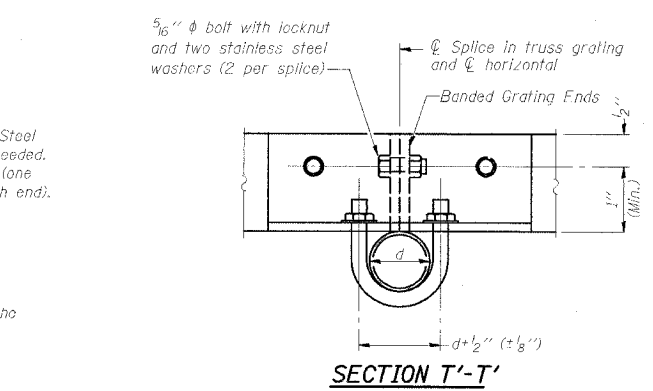
**SECTION B-B**



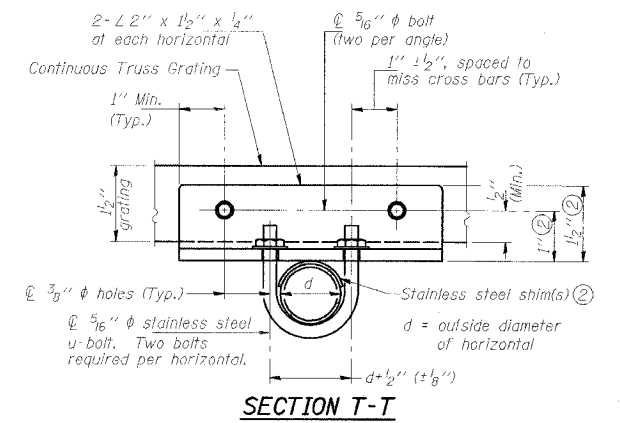
**DETAIL W**  
(Walkway grating)



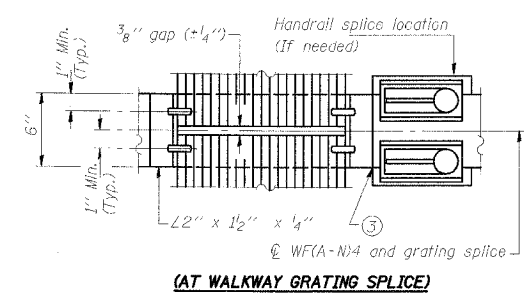
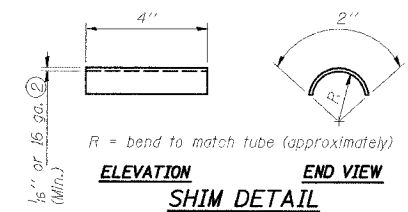
**DETAIL T**  
(Continuous Truss grating)



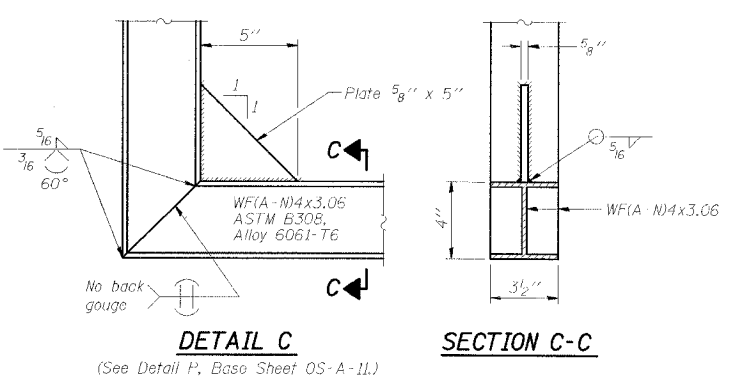
**SECTION T'-T'**



**SECTION T-T**



**SECTION W-W**  
(CONTINUOUS WALKWAY GRATING)



**SECTION C-C**

**SPECIFICATIONS FOR STANDARD ALUMINUM GRATING**

Main Bearing Bars shall be 3/8" x 1 1/2" on 1 3/8" centers and conform to ASTM B221 Alloy 6061-T6.

Cross bars shall be 3/8" x 1 1/2" on 4" centers and conform to ASTM B221 Alloy 6063-T5 or 6061-T6.

**OR**

Aluminum Grating with modified "4" sections for main bearing bars shall meet the following requirements:

Main bars shall conform to ASTM B221 Alloy 6061-T6 and have a minimum section modulus equal to 0.0705 in.<sup>3</sup> per bar, a depth of 1 1/2", spaced on 1 3/8" centers.

Cross bars shall conform to ASTM B221 Alloy 6063-T5 or T-42 and spaced on 4" centers.

Structure Number	Station	A	B	C	D
350501080R076.4	643+14	6'-3/8"	6'-1 1/2"	5'-3"	11'-10 1/2"
350501080L077.0	674+70	5'-3/8"	6'-6"	4'-6"	11'-6"

REVISIONS NAME	

ILLINOIS DEPARTMENT OF TRANSPORTATION

**OVERHEAD SIGN STRUCTURES ALUMINUM WALKWAY DETAILS**

350501080R076.4, STATION 643+14  
350501080L077.0, STATION 674+70

SCALE: NONE  
DATE: 09/04

DRAWN BY: DWH  
CHECKED BY: MTD/FMA

NUMBER	REVISION	DATE