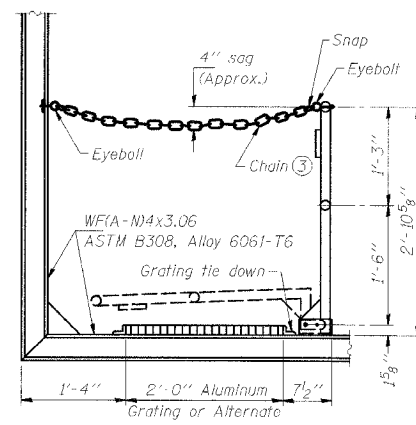


RTE.	SECTION	COUNTY	TOTAL SHEETS	SHEET NO.
FA180	(50-2)HBR	LA SALLE	460	138
STA.	TO STA.			
FED. ROAD DIST. NO.	ILLINOIS FED. AID PROJECT			

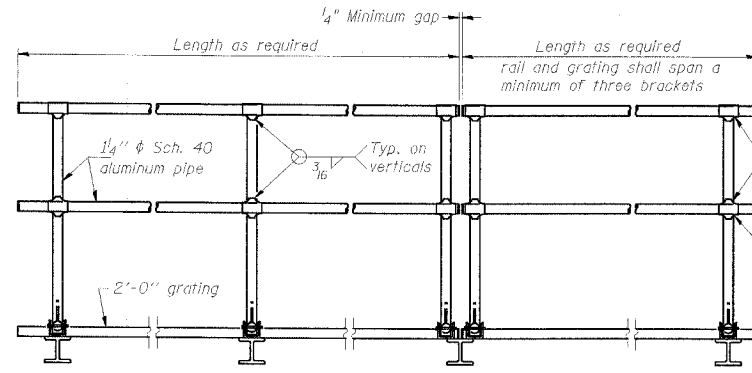
CONTRACT NO. 86603 (11 OF 15)



**SIDE ELEVATION**

(Showing safety chain w/o sign)

Handrail pipe shall be ASTM B241, Alloy 6063-T6 or Alloy 6061-T6.

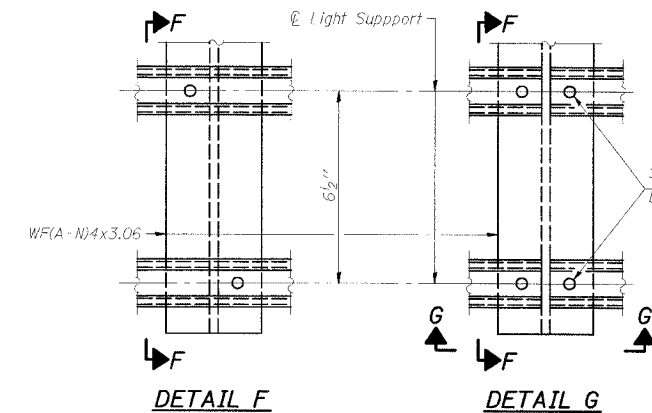


**FRONT ELEVATION**

**HANDRAIL DETAILS**

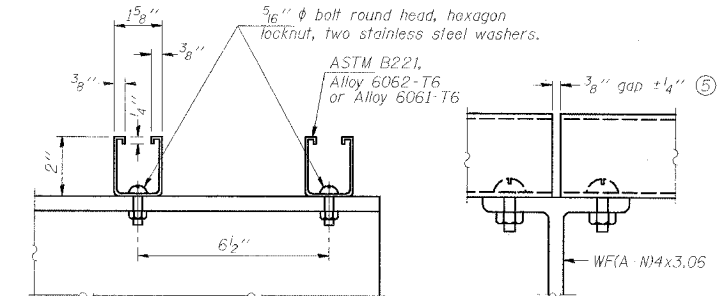
① Install standard force-fit end caps or weld 1/8 inch end plates with 1/8 inch c.f.w. and grind smooth. (All rail ends)

② Horizontal handrail member shall be continuous thru fitting. Provide 1/16 inch hole in fitting for 3/8 inch bolt. Field drill 7/16 inch hole in horizontal rail member. Provide locknut and two stainless steel washers for bolt. (Use 5/16 inch eyebolts in 7/16 inch holes on top rail at ends only.)



**DETAIL F**

**DETAIL G**

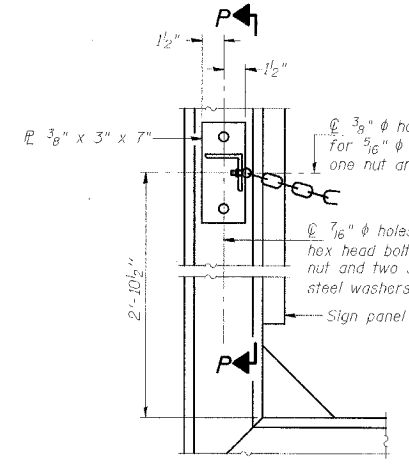


**SECTION F-F**

**SECTION G-G**

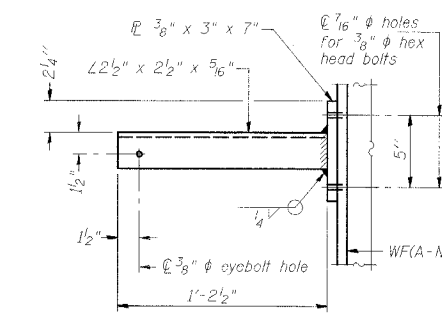
**LIGHTING FIXTURE MOUNTS (IF REQUIRED)**

⑤ Field cut ends of light support channels shall be free of burrs or hazardous projections and coated with zinc-rich primer or equivalent.

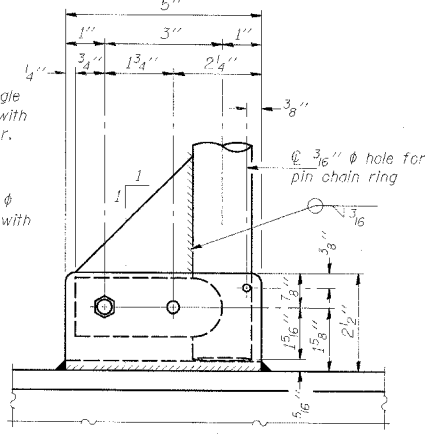


**ALTERNATE SAFETY CHAIN ATTACHMENT**

(With Sign Present)  
Items not shown same as "Side Elevation" of "Handrail Details"

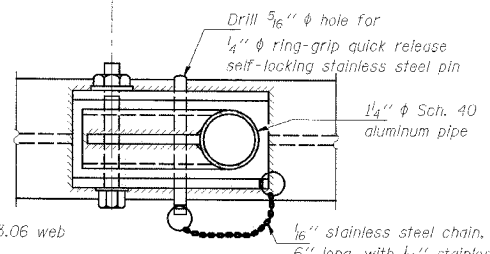


**SECTION P-P**

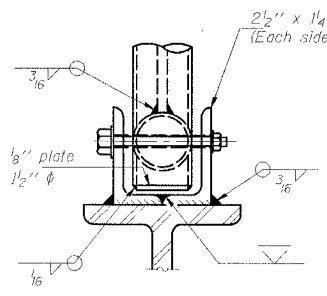


**SIDE ELEVATION**

Drill and ream for 3/8 inch bolt with hexagon locknut and two stainless steel washers.

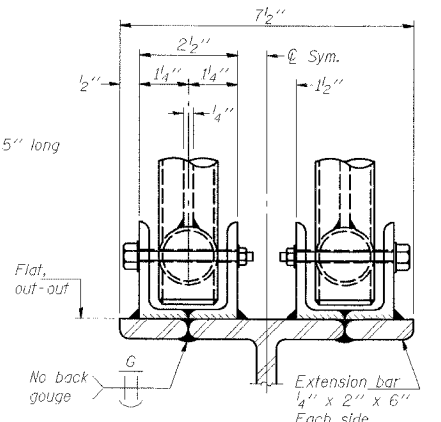


**PLAN  
DETAIL E HANDRAIL HINGE**

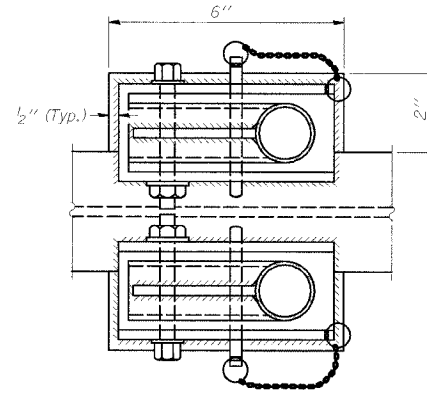


**FRONT ELEVATION**

See "ELEVATION" at right for dimensions.

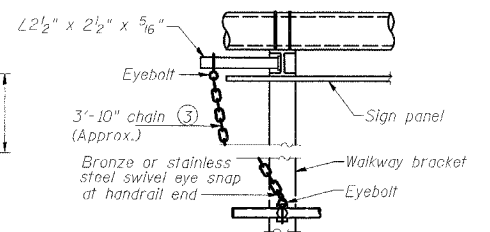


**ELEVATION AT HANDRAIL JOINT ④**



**PLAN AT HANDRAIL JOINT**

Details not shown same as "PLAN"

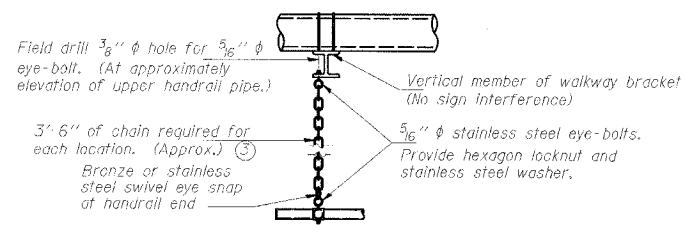


**ALTERNATE SAFETY CHAIN ATTACHMENT**

Details not shown similar to "Safety Chain" Details (Walkway omitted for clarity)

③ 3/16 inch galvanized steel chain, approximately 12 links per foot. Chain to be hot dip galvanized after manufacture and suitable for prolonged exterior exposure. Alternate materials may be substituted with the Engineer's approval.

④ Extrusions may be used in lieu of the details shown, with approval of the Engineer.



**SAFETY CHAIN**

One required for each end of each walkway.

NUMBER	REVISION	DATE

REVISIONS NAME	

ILLINOIS DEPARTMENT OF TRANSPORTATION  
**OVERHEAD SIGN STRUCTURES  
ALUMINUM HANDRAIL DETAILS**

3S0501080R076.4, STATION 643+14  
3S0501080L077.0, STATION 674+70

SCALE: NONE  
DATE: 09/04  
DRAWN BY: DWH  
CHECKED BY: MTD/FMA