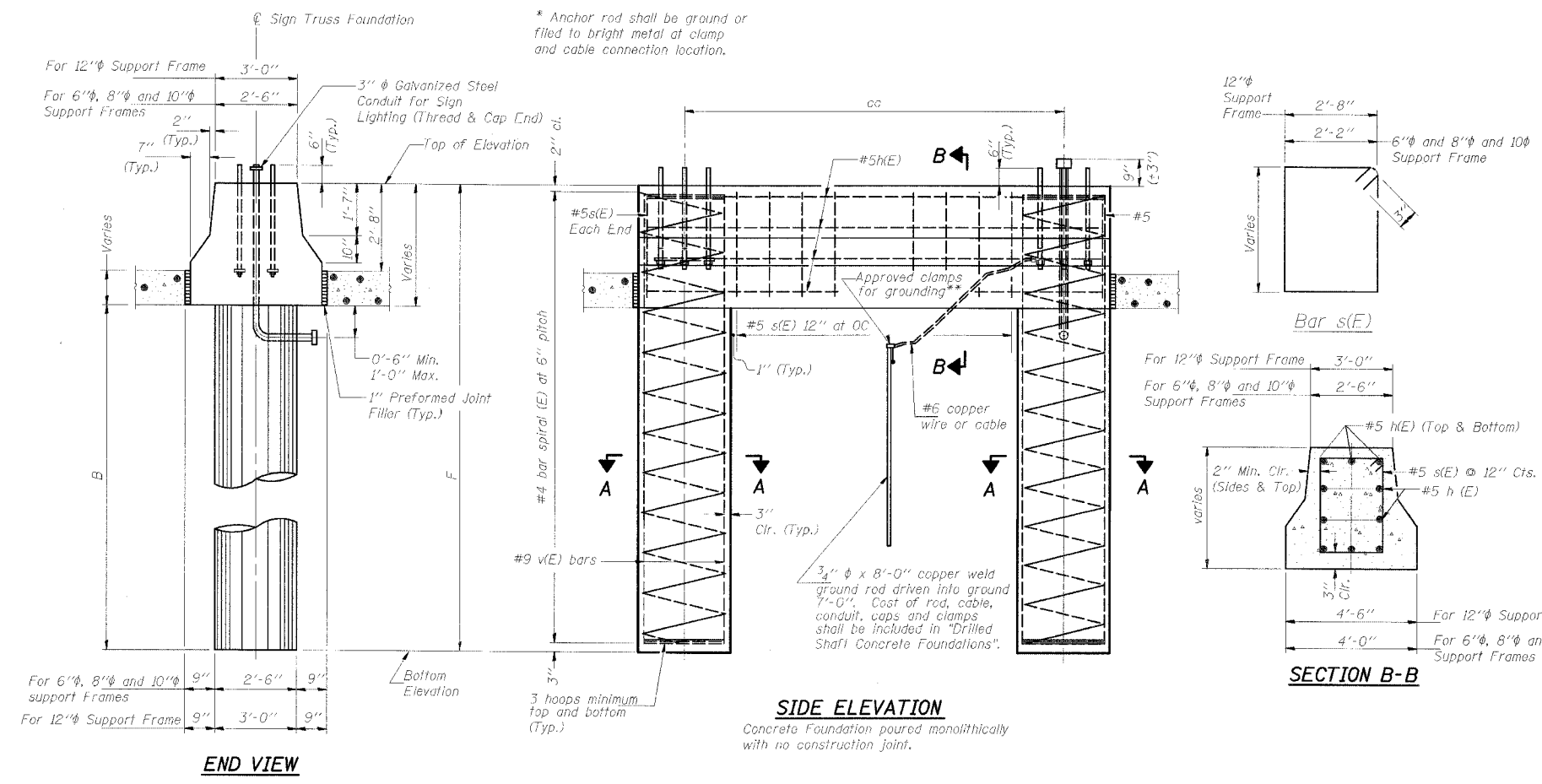


RTE.	SECTION	COUNTY	TOTAL SHEETS	SHEET NO.
FA180	150-2HBR	LA SALLE	460	140
STA.		TO STA.		
FED. ROAD DIST. NO.		ILLINOIS FED. AID PROJECT		
CONTRACT NO. 86603				(3 OF 5)



NOTES:

The foundation dimensions shown are based on the presence of mostly cohesive soils with an average Unconfined Compressive Strength (Qu) of at least 1.25 tsf, which must be determined by previous soil investigations at the jobsite. When other conditions are indicated, the boring data will be included in the plans and the foundation dimensions shown will be the result of site specific designs.

If the conditions encountered are different than those indicated, the Contractor shall notify the Engineer to determine if the foundation dimensions need to be modified. If dimensions "B" or "F" are revised by more than 12" by the Contractor, "as-built" plans shall be prepared and submitted to the District Bureau of Operations for future reference.

No sonotubes or decomposable forms shall be used below the lower conduit entrance.

Permanent metal forms or other shielding may not be left in place below that elevation without the Engineer's written permission.

Concrete shall be placed monolithically, without construction joints.

Backfill shall be placed per Article 502 of Standard Specification and prior to erection of support column.

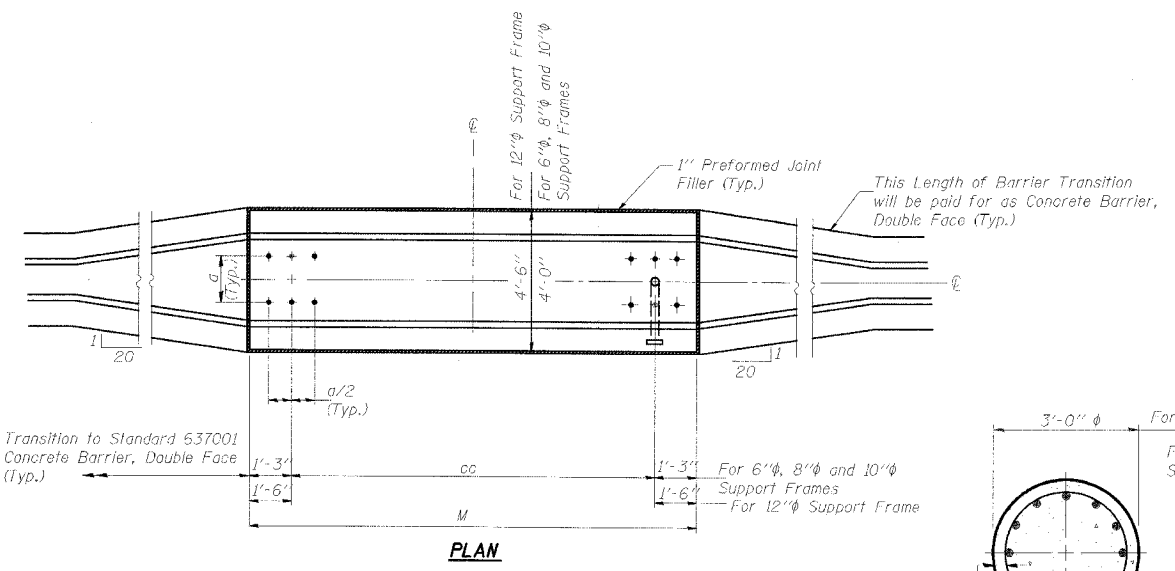
A normal surface finish followed by a Bridge Seat Sealer application will be required on concrete surfaces above the lowest elevation 6" below finished ground line. Cost included in "Drilled Shaft Concrete Foundations".

BAR LIST - EACH FOUNDATION

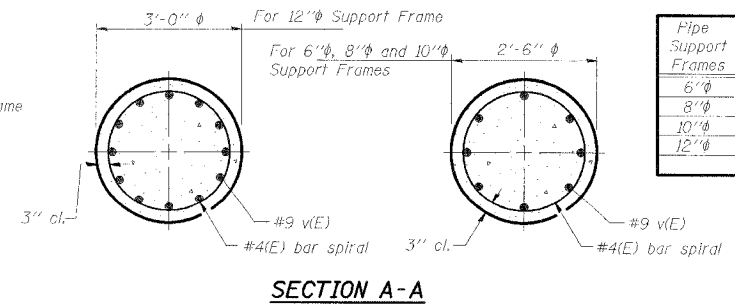
Bar	Number	Size	Length	Shape
h(E)	10	#5	M less 4"	—
s(E)	Varies	#5	Varies	□
v(E)	16	#9	D less 0'-5"	—
v(E)	24	#9	D less 0'-5"	—

#4(E) bar spiral - see Side Elevation

6"φ, 8"φ and 10"φ Support Frame
12"φ Support Frame



Structure Number	Station	Left Foundation				Right Foundation				Class SI Concrete (Cu. Yds.)
		Elevation Top	Elevation Bottom	B	F	Elevation Top	Elevation Bottom	B	F	
3S0501080R076.4	643+14	638.25	617.08	17'-6"	21'-2"					11.2



Pipe Support Frames	cc	M	a	a/2
6"φ	7'-0"	9'-6"	0'-11"	5 1/2"
8"φ	7'-6"	10'-0"	1'-1 1/2"	6 3/4"
10"φ	8'-3"	10'-9"	1'-3"	7 1/2"
12"φ	9'-0"	12'-0"	1'-6"	9"

REVISIONS	NAME

ILLINOIS DEPARTMENT OF TRANSPORTATION

OVERHEAD SIGN STRUCTURES

MEDIAN SUPPORT FOUNDATION DETAILS

3S0501080R076.4, STATION 643+14

SCALE: NONE
DATE: 10/04

DRAWN BY: HAG
CHECKED BY: MTD