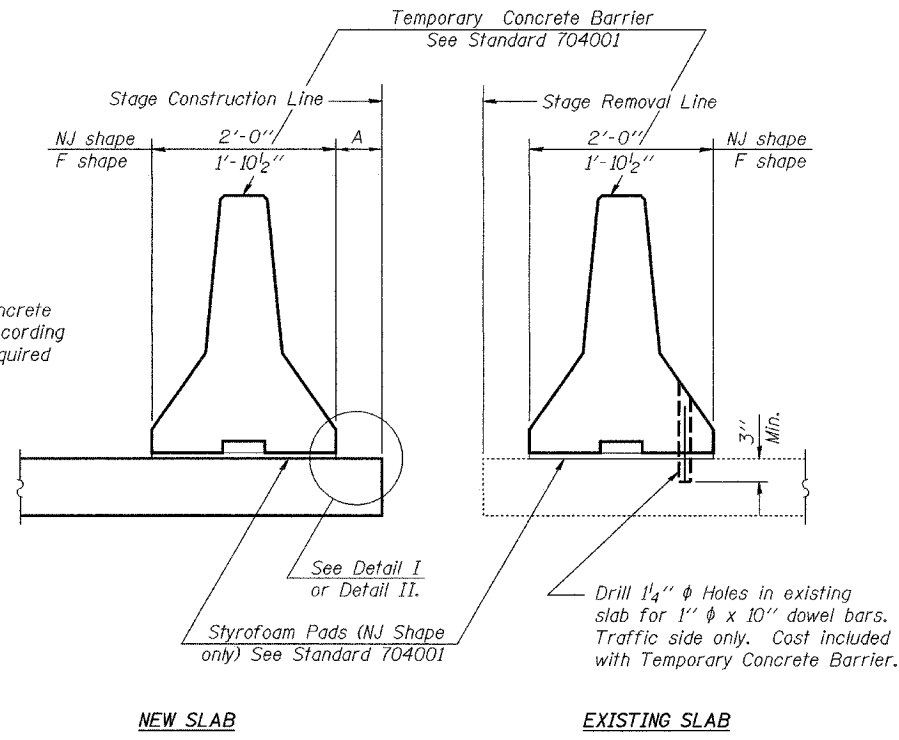


STATE OF ILLINOIS  
DEPARTMENT OF TRANSPORTATION

ROUTE NO.	SECTION	COUNTY	SHEET NO.	SHEET NO.
F.A.I. 80	(50-2) HBR	LaSALLE	145	35 SHEETS
FED. ROAD DIST. NO. 7	ILLINOIS	FED. AID PROJECT	Contract No. 86603	



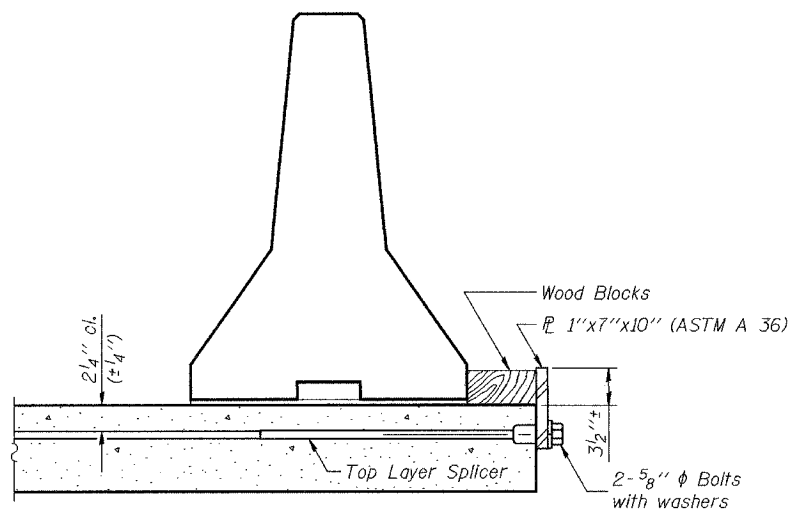
SECTION THRU SLAB

NOTES

Detail I - With Bar Splicer or Couplers:  
Connect one (1) 1"x7"x10" steel  $\bar{L}$  to the top layer of couplers with 2-5/8"  $\phi$  bolts screwed to couplers at approximate  $\bar{C}$  of each barrier panel.

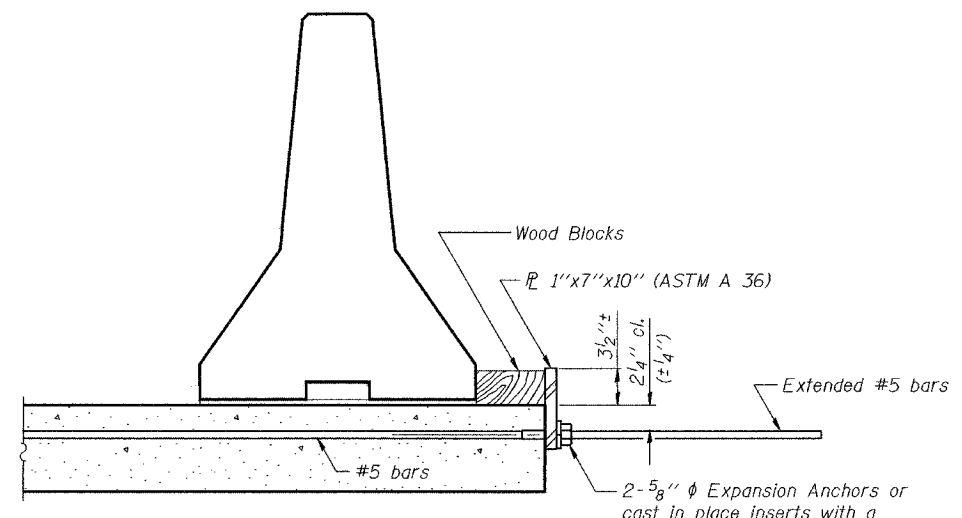
Detail II - With Extended Reinforcement Bars:  
Connect one (1) 1"x7"x10" steel  $\bar{L}$  to the concrete slab with 2-5/8"  $\phi$  Expansion Anchors or cast in place inserts spaced between the top layer of reinforcement at approximate  $\bar{C}$  of each barrier panel.

Cost of anchorage is included with Temporary Concrete Barrier.



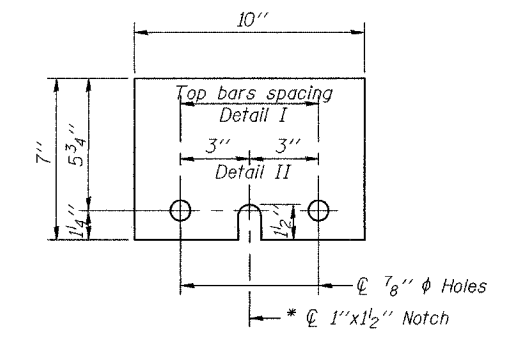
DETAIL I

The 1"x7"x10" Plate shall not be removed until Stage II Construction forms and reinforcement bars are in place.



DETAIL II

The 1"x7"x10" Plate shall not be removed until Stage II Construction forms and all reinforcement bars are in place and the concrete is ready to be placed.



$\bar{L}$  1"x7"x10"

\* Required only with Detail II

DESIGNED	CME
CHECKED	RLM
DRAWN	h.t. parsons
CHECKED	CME/RLM

Nov. 29, 2004

EXAMINED *Thomas J. Damagala*  
ENGINEER OF BRIDGE DESIGN

PASSED *Ralph E. Anderson*  
ENGINEER OF BRIDGES AND STRUCTURES

R-27 9-01-03

TEMPORARY CONCRETE BARRIER  
FOR STAGE CONSTRUCTION  
F.A.I. RT. 80 - SEC. (50-2)HBR  
LaSALLE COUNTY  
STATION 62+39.22  
STRUCTURE NO. 050-0230