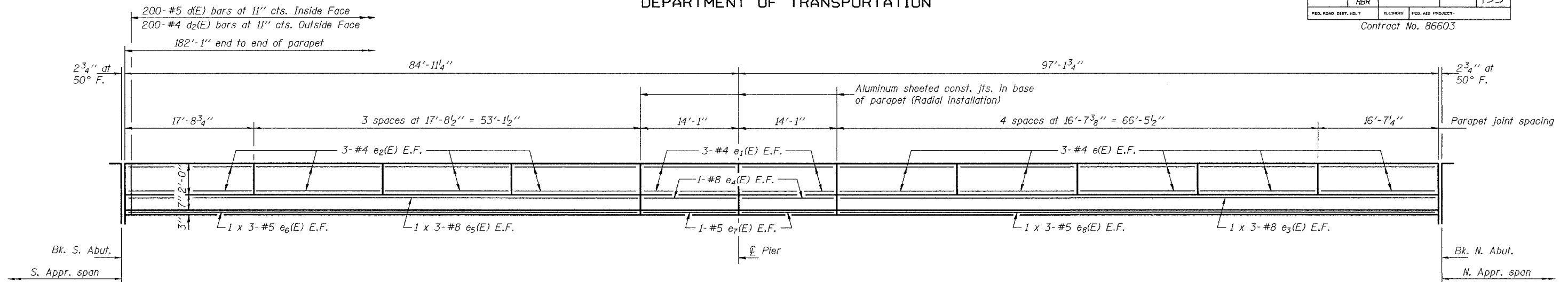


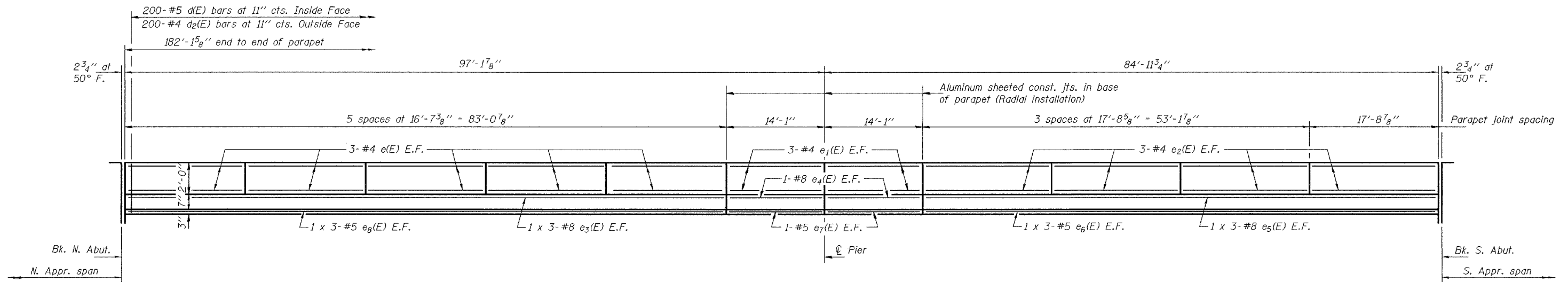
STATE OF ILLINOIS
DEPARTMENT OF TRANSPORTATION

ROUTE NO.	SECTION	COUNTY	SHEETS	SHEET	SHEET NO. 11 35 SHEETS
F.A.I. 80	(50-2) HBR	LaSALLE	153	153	
FED. ROAD DIST. NO. 7		ILLINOIS	FED. AID PROJECT		

Contract No. 86603



INSIDE ELEVATION OF WEST PARAPET
Looking West
Horizontal dimensions are along outside face of parapet



INSIDE ELEVATION OF EAST PARAPET
Looking East
Horizontal dimensions are along outside face of parapet

MIN. BAR LAPS
#5 bars = 1'-8"
#8 bars = 3'-5"

Notes: Reinforcement bars shall not pass thru aluminum sheets.
Reinforcement bars designated (E) shall be epoxy coated.
Bars indicates thus 20 x 3-#5 etc. indicates 20 lines of bars with 3 lengths per line.
For parapet joint details, see sheet 10 of 35.

DESIGNED	CME
CHECKED	RLM
DRAWN	h.t. parsons
CHECKED	CME/RLM

Nov. 29, 2004
EXAMINED *Thomas J. Damgalak*
ENGINEER OF BRIDGE DESIGN
PASSED *Ralph E. Anderson*
ENGINEER OF BRIDGES AND STRUCTURES

SUPERSTRUCTURE DETAILS
F.A.I. RT. 80 - SEC. (50-2)HBR
LaSALLE COUNTY
STATION 62+39.22
STRUCTURE NO. 050-0230