

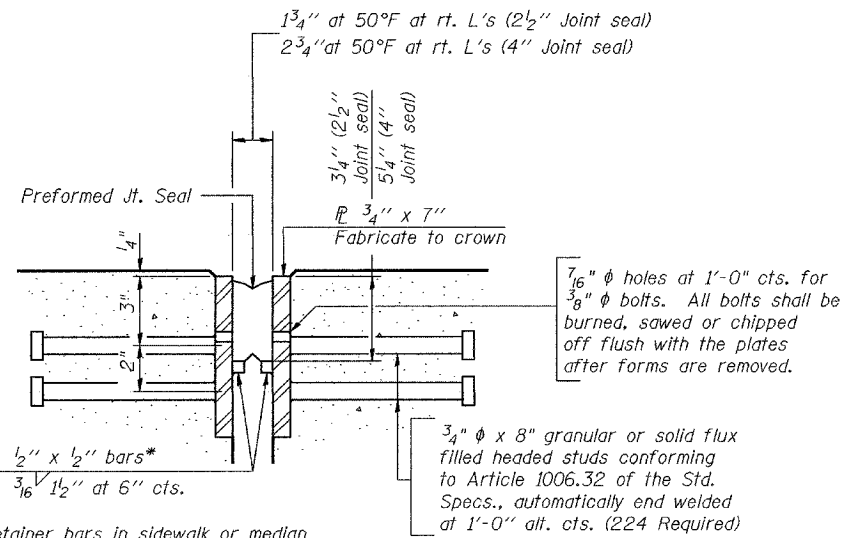
STATE OF ILLINOIS
DEPARTMENT OF TRANSPORTATION

ROUTE NO.	SECTION	COUNTY	SHEET NO.	SHEET NO. 15
F.A.I. 80	(50-2) HBR	LaSALLE	157	35 SHEETS
FED. ROAD DIST. NO. 7	ILLINOIS	FED. AID PROJECT-	Contract No. 86603	

Bridge Joint System (Expansion)		
Design Movement	Required Preformed Joint Seal Size	Required Strip Seal Rated movement
1"	2 1/2"	1"
1 5/8"	4"	2"

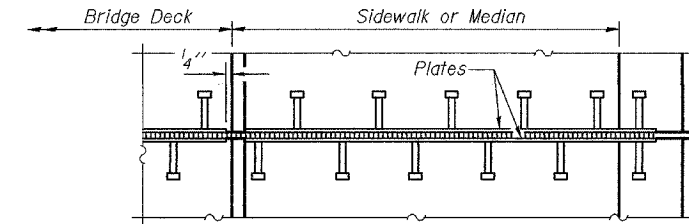
GENERAL NOTES

Furnish steel plates in segments of 20 feet maximum length. Maximum space between installed segments shall be 3/16". Seal space with silicone sealant suitable for structural steel.

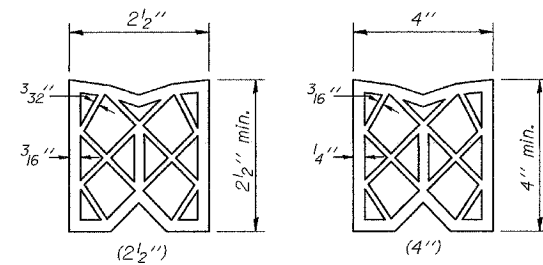


*Cut retainer bars in sidewalk or median 6" short of the sidewalk or median face.

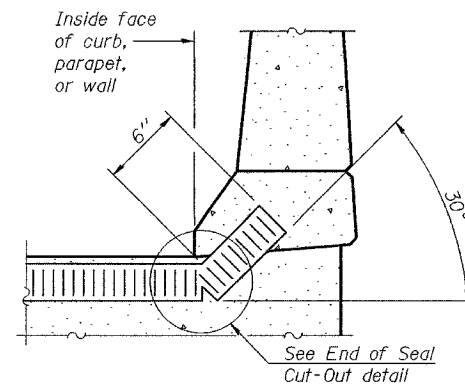
SECTION THRU EXPANSION JOINT
(2 1/2" and 4" joint seals)



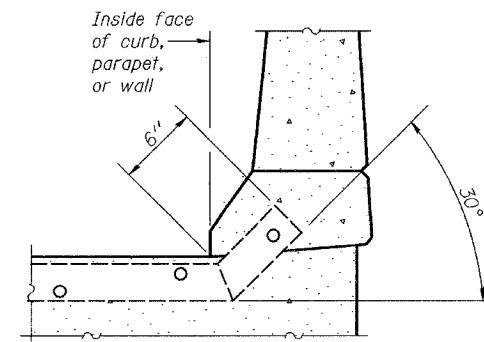
PLAN AT SIDEWALK OR MEDIAN



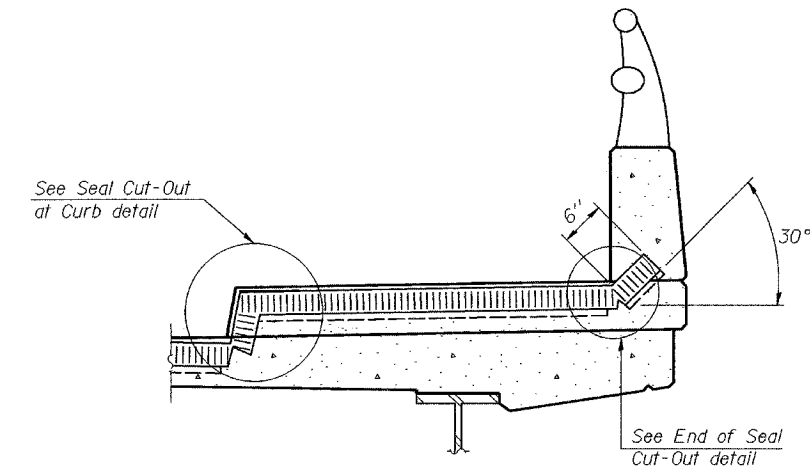
PREFORMED JOINT SEAL



AT CURB, PARAPET, OR WALL
(Showing seal)



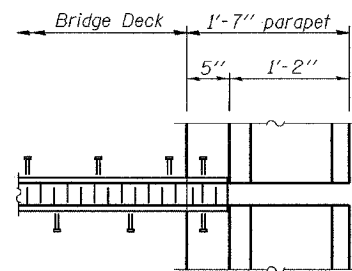
AT CURB, PARAPET, OR WALL
(Showing plate)



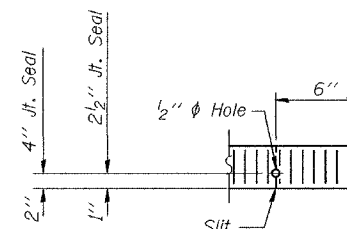
AT SIDEWALK OR MEDIAN*
(Showing plate and seal)

* Shorter plates with a single row of studs at 12" centers may be necessary on medians which are shallower than 9". See manufacturer's recommendation.

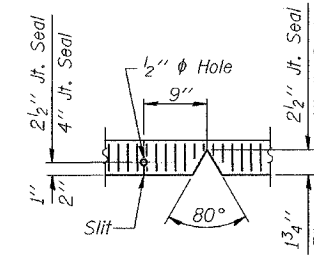
TYPICAL END TREATMENTS



PLAN AT PARAPET



END OF SEAL CUT-OUT



SEAL CUT-OUT AT CURB

BILL OF MATERIAL

Item	Unit	Total
Bridge Joint System (Expansion), 1 5/8"	Foot	110

(Sheet 1 of 2)

BRIDGE JOINT SYSTEM - EXPANSION
(PREFORMED JOINT SEAL)
F.A.I. RT. 80 - SEC. (50-2)HBR
LaSALLE COUNTY
STATION 62+39.22
STRUCTURE NO. 050-0230

DESIGNED	CME
CHECKED	RLM
DRAWN	h.t. parsons
CHECKED	CME/RLM

Nov. 29, 2004
EXAMINED *Thomas J. Damagala*
ENGINEER OF BRIDGE DESIGN
PASSED *Ralph E. Anderson*
ENGINEER OF BRIDGES AND STRUCTURES

EJ-BJS 9-01-03