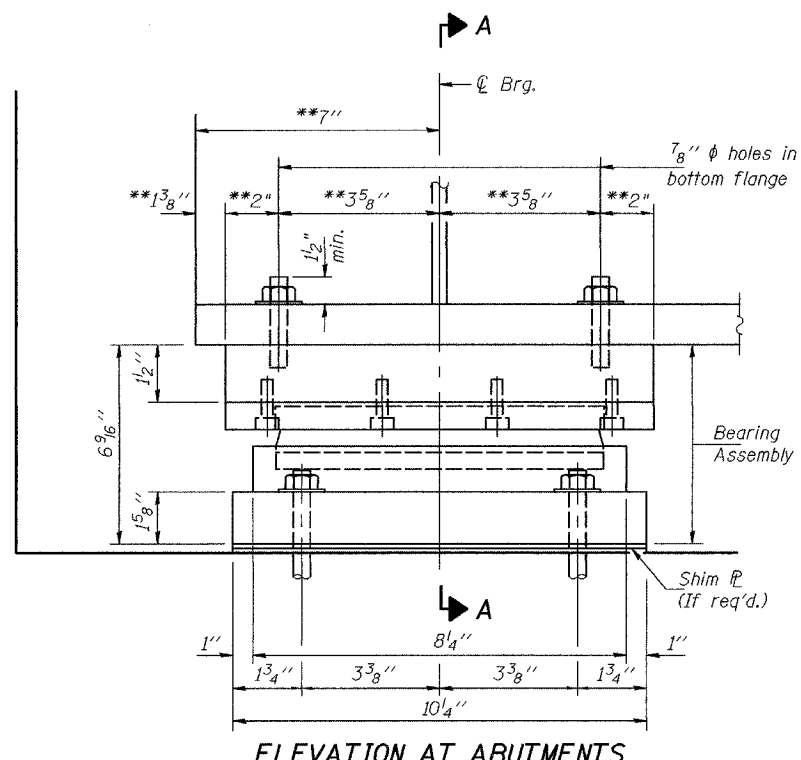
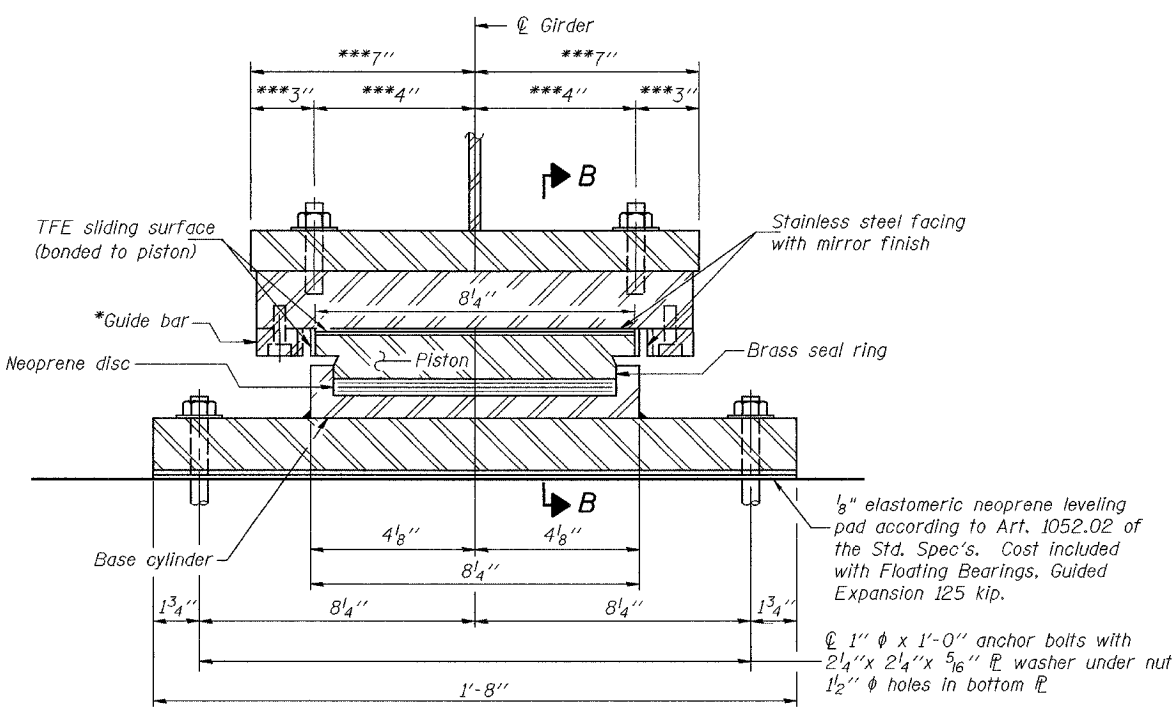


STATE OF ILLINOIS
DEPARTMENT OF TRANSPORTATION

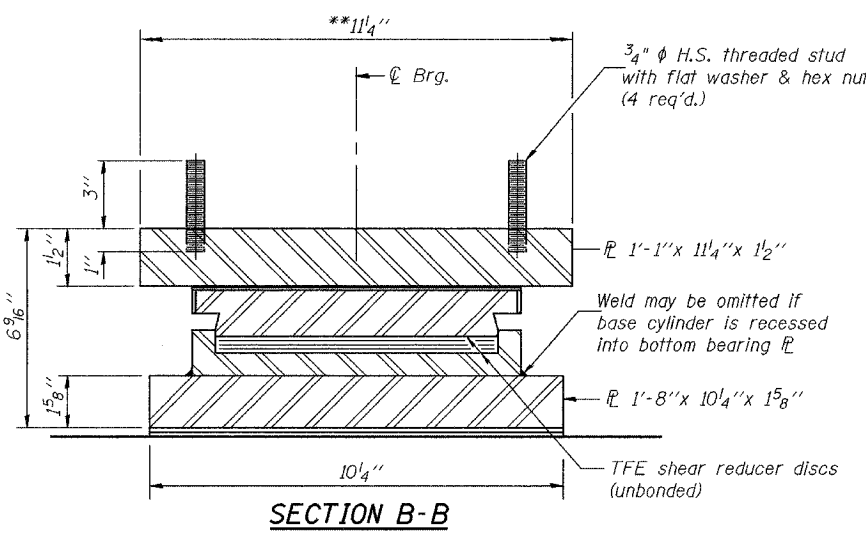
ROUTE NO.	SECTION	COUNTY	SHEETS	SHEET NO.
F.A.I. 80	(50-2) HBR	LaSALLE	163	35 SHEETS
FED. ROAD DIST. NO. 7	ILLINOIS	FED. AID PROJECT-	Contract No. 86603	



ELEVATION AT ABUTMENTS



SECTION A-A



SECTION B-B

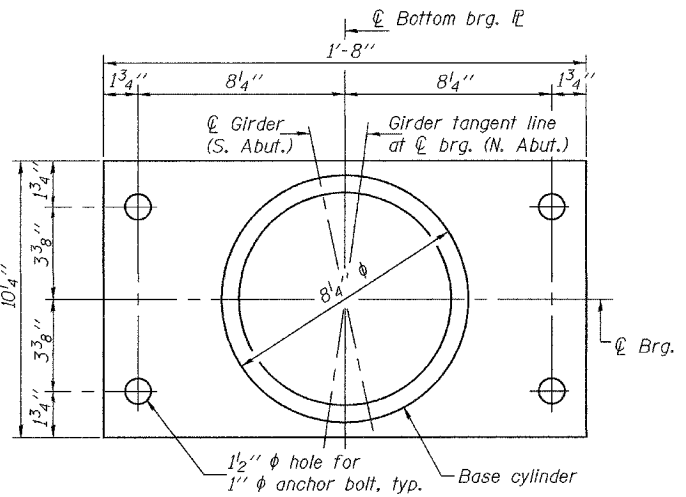
GUIDED EXPANSION FLOATING BEARING

**Dimensions along \varnothing girder & top bearing \varnothing at S. Abut.
and along girder tangent line at \varnothing brg. N. Abut.
***Dimensions perpendicular to \varnothing girder at S. Abut.
and to girder tangent line at \varnothing brg. N. Abut.

TOP BEARING \varnothing ANGLES

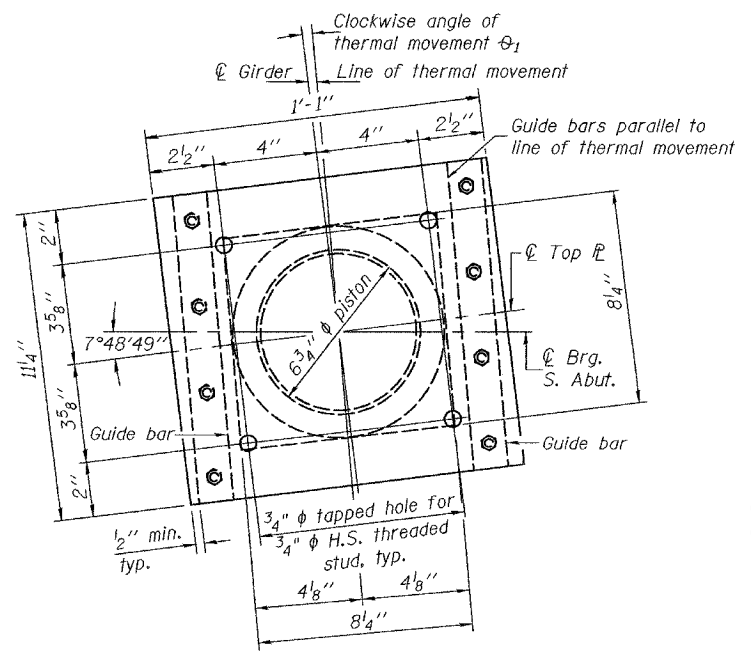
Girder No.	\varnothing	\varnothing_1	\varnothing_2
1	4°55'11"	2°13'27"	3°41'23"
2	4°57'59"	2°11'02"	3°43'29"
3	5°00'50"	2°08'37"	3°45'37"
4	5°03'45"	2°06'13"	3°47'49"
5	5°06'43"	2°03'50"	3°50'02"
6	5°09'45"	2°01'27"	3°52'18"
7	5°12'50"	1°59'04"	3°54'37"
8	5°15'59"	1°56'41"	3°56'59"

*As alternates to the bolted connection shown, the guide bars may be connected to the top bearing plate by groove welds or the guide bars and top bearing plate may be fabricated as a single piece.

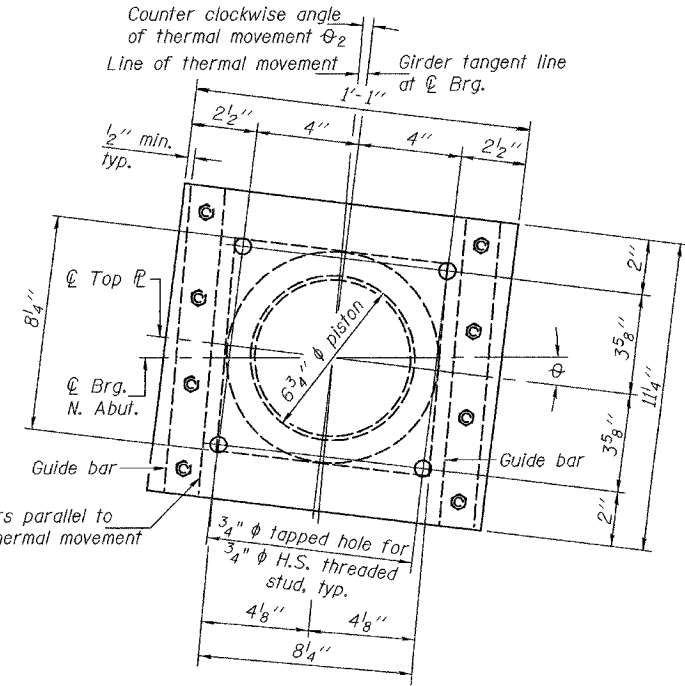


BOTTOM BEARING \varnothing AND
BASE CYLINDER PLAN

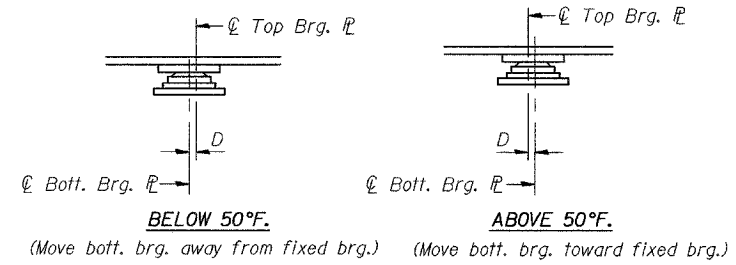
Notes: The plates of the Bearing Assembly shall be AASHTO M270, Grade 50.
For anchor bolt installation details, see sheet 23 of 35.



TOP BEARING \varnothing & PISTON PLAN
(South Abut.)



TOP BEARING \varnothing & PISTON PLAN
(North Abut.)



SETTING ANCHOR BOLTS AT EXP. BRG.

$D = \frac{1}{8}$ " per each 100' of expansion for every 15° temp. change from the normal temp. of 50°F.

BEARING DATA	
Vertical design load	105 kip
Total required movement	1 1/8"

BILL OF MATERIAL

Item	Unit	Total
Erecting Floating Bearings, Guided Expansion 125 kip	Each	16

BEARING DETAILS
F.A.I. RT. 80 - SEC. (50-2)HBR
LaSALLE COUNTY
STATION 62+39.22
STRUCTURE NO. 050-0230

DESIGNED	CME
CHECKED	RLM
DRAWN	h.t. parsons
CHECKED	CME/RLM

Nov. 29, 2004
EXAMINED *Thomas J. Demagala*
ENGINEER OF BRIDGE DESIGN
PASSED *Ralph E. Anderson*
ENGINEER OF BRIDGES AND STRUCTURES