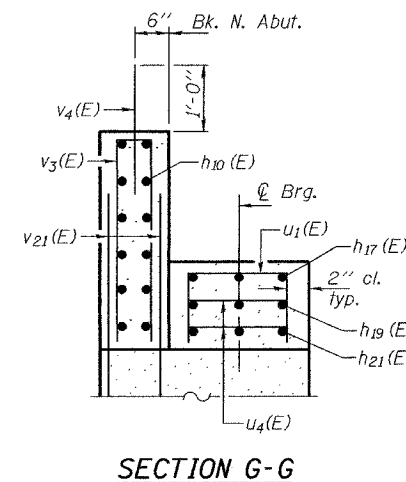
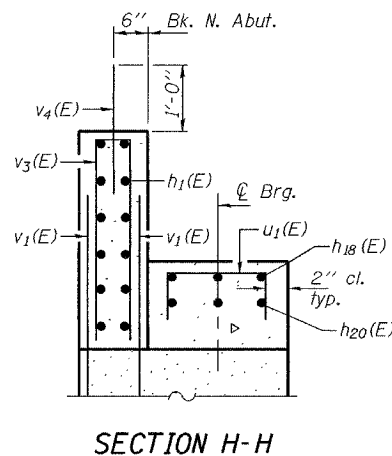
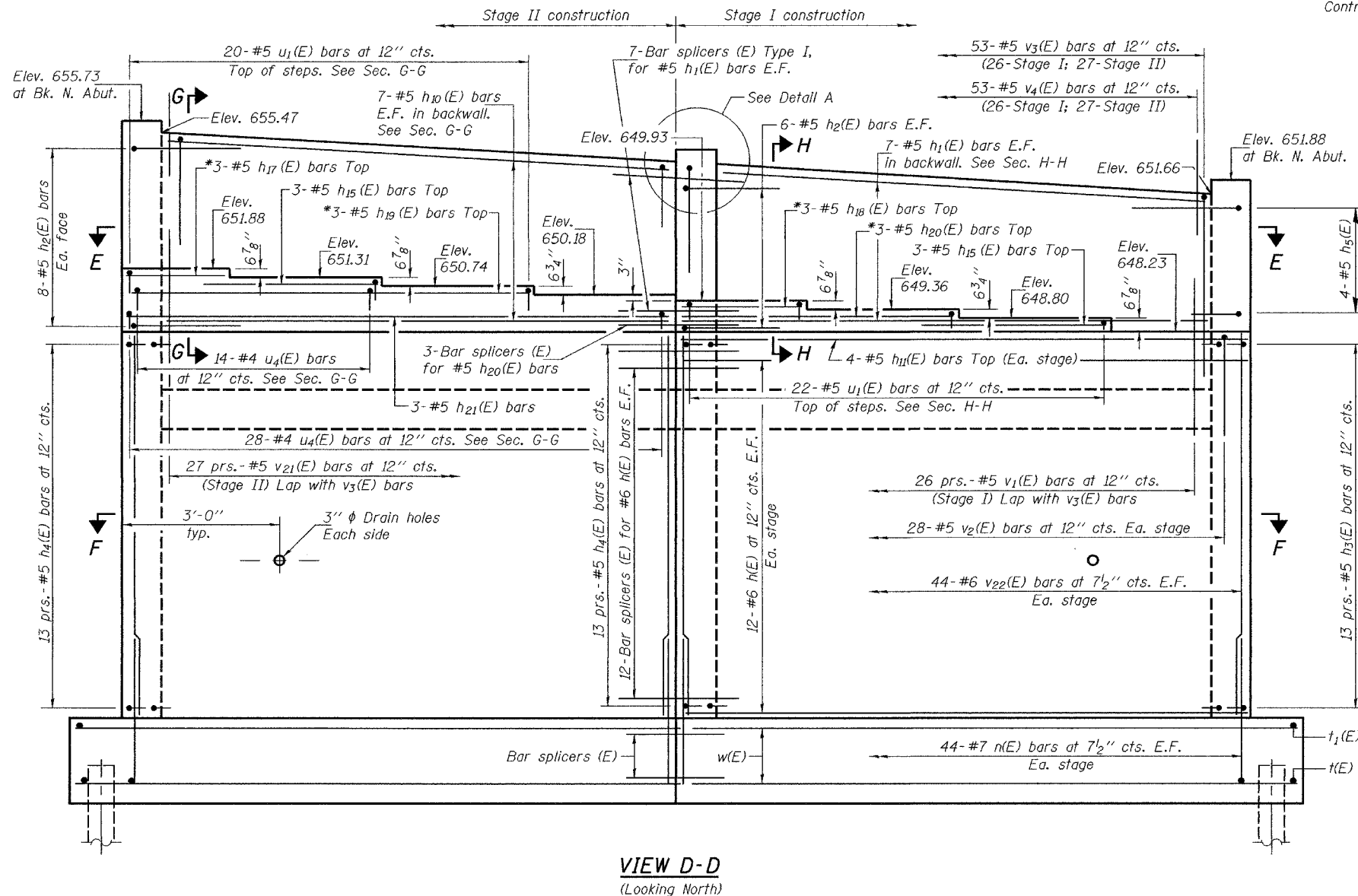
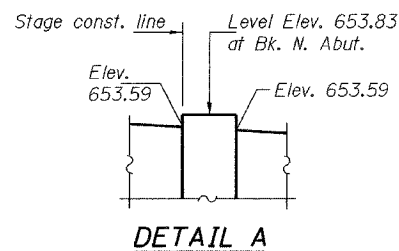
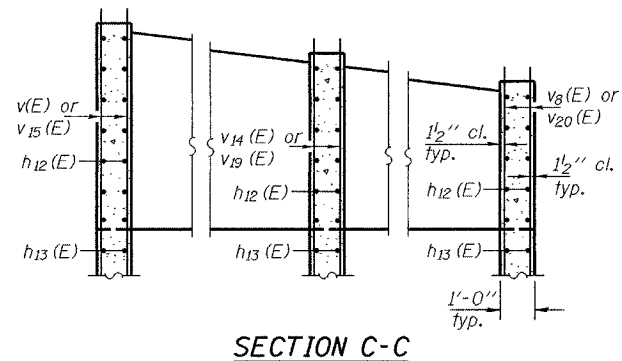
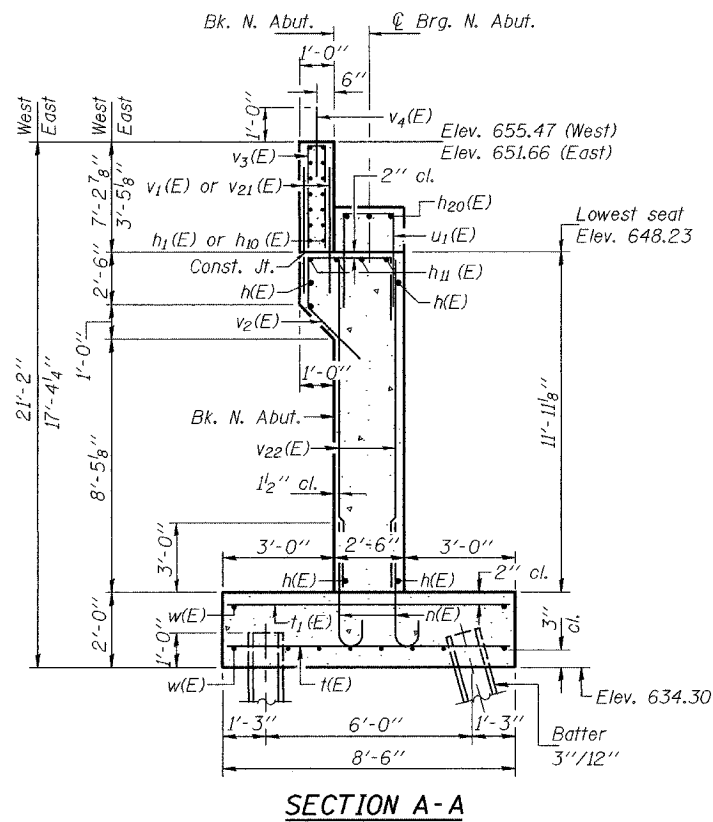


STATE OF ILLINOIS  
DEPARTMENT OF TRANSPORTATION

ROUTE NO.	SECTION	COUNTY	SHEET NO.	SHEET NO. 28
F.A.I. 80	(50-2) HBR	LaSALLE	170	35 SHEETS
FED. ROAD DIST. NO. 7		ILLINOIS	FED. AID PROJECT NO.	
Contract No. 86603				



Notes: Space reinforcement in cap to miss anchor bolts.  
Reinforcement bars designated (E) shall be epoxy coated.  
Pour steps monolithically with stem.  
For bar splicer details, see sheet 32 of 35.  
For Sections E-E & F-F, see sheet 27 of 35.

DESIGNED	RLM
CHECKED	CME
DRAWN	h.t. parsons
CHECKED	RLM/CME

Nov. 29, 2004  
EXAMINED *Thomas J. Damagalki*  
ENGINEER OF BRIDGE DESIGN  
PASSED *Ralph E. Anderson*  
ENGINEER OF BRIDGES AND STRUCTURES

**NORTH ABUTMENT**  
F.A.I. RT. 80 - SEC. (50-2)HBR  
LaSALLE COUNTY  
STATION 62+39.22  
STRUCTURE NO. 050-0230