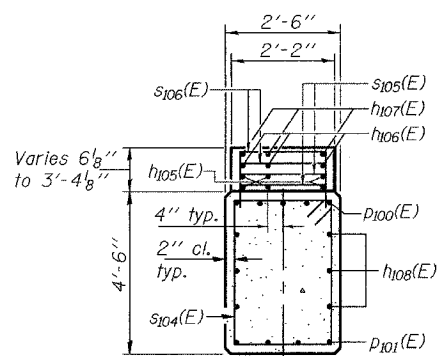


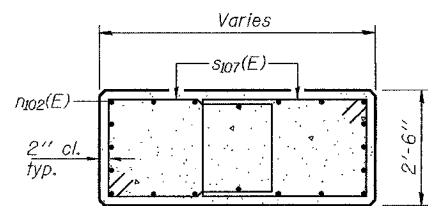
STATE OF ILLINOIS  
DEPARTMENT OF TRANSPORTATION

ROUTE NO.	SECTION	COUNTY	TOTAL SHEETS	SHEET NO.
F.A.I. 80	(50-2) HBR	LaSALLE	173	35 SHEETS
FED. ROAD DIST. NO. 7	ILLINOIS	FED. AID PROJECT-		

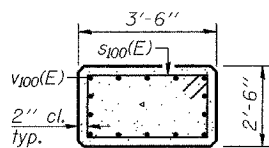
Contract No. 86603



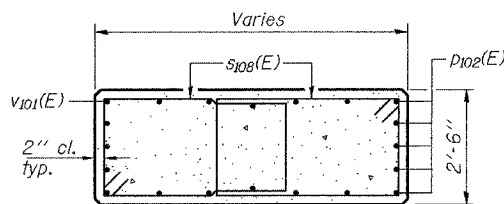
SECTION A-A



SECTION B-B



SECTION C-C



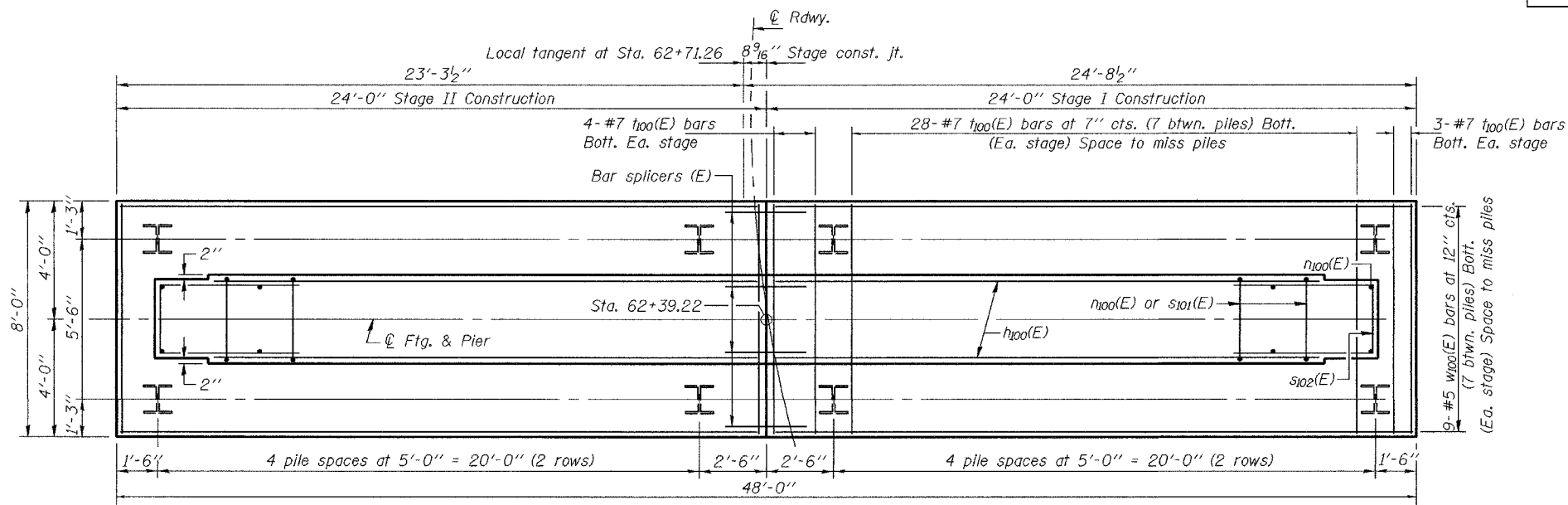
SECTION E-E

PILE DATA

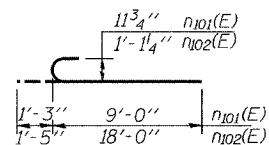
Type: HP 12x53  
Capacity: Driven to refusal  
Est. Length: 44'  
No. Req'd: 19 + 1 test pile

DESIGNED	CME
CHECKED	RLM
DRAWN	h.t. parsons
CHECKED	CME/RLM

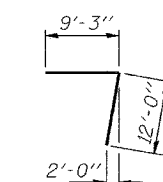
Nov. 29, 2004  
EXAMINED *Thomas J. Demagala*  
ENGINEER OF BRIDGE DESIGN  
PASSED *Ralph E. Carlson*  
ENGINEER OF BRIDGES AND STRUCTURES



FOOTING PLAN



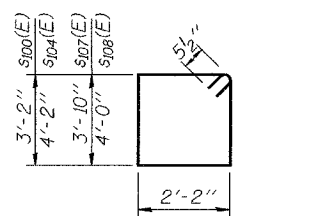
BARS  $n_{101}(E)$   
&  $n_{102}(E)$



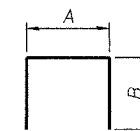
BAR  $p_{102}(E)$

MIN. BAR LAPS

#5 bars = 2'-2"  
#9 bars = 5'-9"  
#10 bars = 7'-3"



BARS  $s_{100}(E)$ ,  $s_{104}(E)$ ,  
 $s_{107}(E)$  &  $s_{108}(E)$



BARS  $s_{101}(E)$  thru  $s_{103}(E)$ ,  
 $s_{105}(E)$ ,  $s_{106}(E)$ ,  $s_{109}(E)$   
&  $n_{100}(E)$

A & B DIMENSIONS

Bar	A	B
$s_{101}(E)$	2'-6"	4'-2"
$s_{102}(E)$	2'-2"	5'-4"
$s_{103}(E)$	2'-1"	3'-0"
$s_{105}(E)$	1'-10"	1'-4"
$s_{106}(E)$	1'-10"	1'-7"
$s_{109}(E)$	2'-2"	3'-6"
$n_{100}(E)$	2'-6"	4'-0"

BILL OF MATERIAL

Bar	No.	Size	Length	Shape
$n_{100}(E)$	40	#5	11'-7"	—
$n_{101}(E)$	12	#8	20'-5"	—
$n_{102}(E)$	3	#5	20'-8"	—
$n_{103}(E)$	6	#5	8'-8"	—
$n_{104}(E)$	3	#5	6'-8"	—
$n_{105}(E)$	6	#5	26'-0"	—
$n_{106}(E)$	3	#5	12'-0"	—
$n_{107}(E)$	3	#5	5'-0"	—
$n_{108}(E)$	12	#5	25'-5"	—
$n_{100}(E)$	44	#7	10'-6"	U
$n_{101}(E)$	28	#9	10'-3"	—
$n_{102}(E)$	40	#10	19'-5"	—
$p_{100}(E)$	10	#9	26'-1"	—
$p_{101}(E)$	8	#9	25'-5"	—
$p_{102}(E)$	10	#10	21'-3"	7
$s_{100}(E)$	26	#5	11'-7"	□
$s_{101}(E)$	44	#5	10'-10"	□
$s_{102}(E)$	10	#5	12'-10"	□
$s_{103}(E)$	8	#5	8'-1"	□
$s_{104}(E)$	46	#5	13'-7"	□
$s_{105}(E)$	63	#5	4'-6"	□
$s_{106}(E)$	18	#5	5'-0"	□
$s_{107}(E)$	36	#5	12'-11"	□
$s_{108}(E)$	16	#5	13'-3"	□
$s_{109}(E)$	18	#5	9'-2"	□
$h_{100}(E)$	70	#7	7'-8"	—
$v_{100}(E)$	28	#9	16'-2"	—
$v_{101}(E)$	30	#10	11'-10"	—
$w_{100}(E)$	18	#5	23'-8"	—
Structure Excavation		Cu. Yd.	92.4	
Concrete Structures		Cu. Yd.	98.0	
Reinforcement Bars, Epoxy Coated		Pound	17110	
Furnishing Steel Piles HP12x53		Foot	836	
Driving Steel Piles HP12x53		Foot	836	
Test Pile Steel HP12x53		Each	1	

PIER DETAILS

F.A.I. RT. 80 - SEC. (50-2)HBR  
LaSALLE COUNTY  
STATION 62+39.22  
STRUCTURE NO. 050-0230