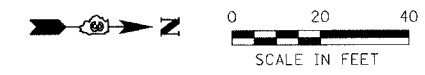
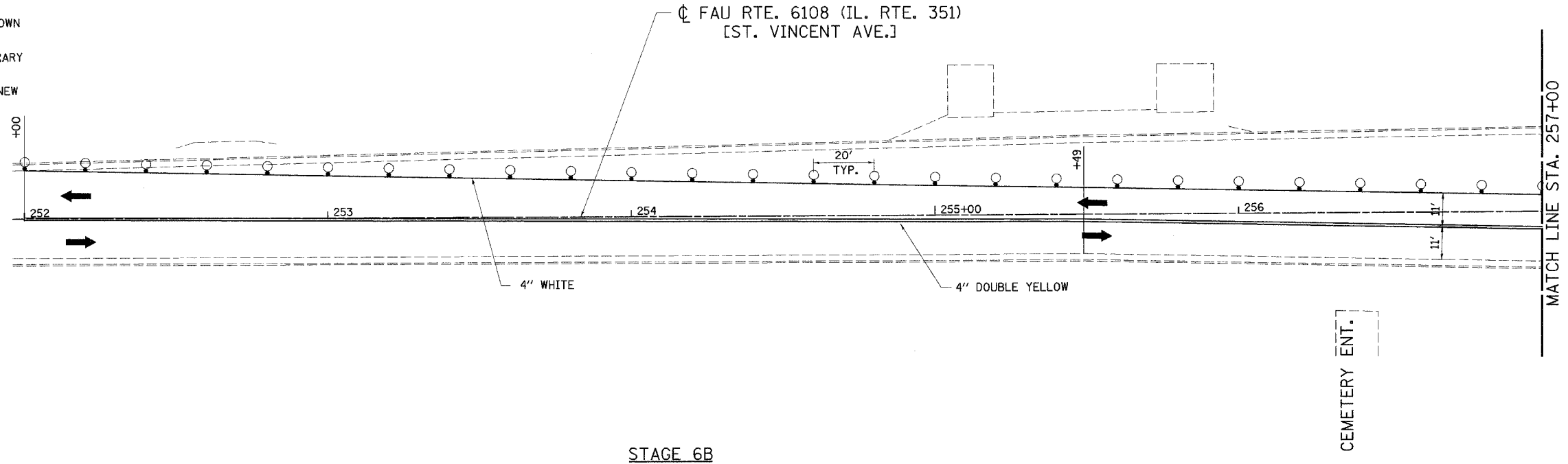


| DESIGN | | |
|--------|------|--------|
| INT. | DATE | REASON |
| | | |
| | | |
| | | |
| | | |
| | | |
| | | |
| | | |
| | | |
| | | |
| | | |

**STAGE 6B TRAFFIC CONTROL AND CONSTRUCTION SEQUENCE
STA. 252+00 TO STA. 271+00**

- CONTRACTOR SHALL PLACE ALL ADVANCED WARNING SIGNAGE PRIOR TO BEGINNING ANY CONSTRUCTION. (SEE ADVANCE SIGNING DETAILS)
- TRAFFIC ON IL RTE. 351 WILL REMAIN THE SAME AS STAGE 6A. TRAFFIC WILL BE SHIFTED TO THE SOUTH SIDE OF CIVIC ROAD AND N. 30th ROAD.
- PLACE ALL TEMPORARY PAVEMENT MARKINGS AS SHOWN ON THE PLANS.
- CONTRACTOR SHALL PROVIDE AND MAINTAIN TEMPORARY ENTRANCES WHEN REQUIRED DURING CONSTRUCTION.
- REMOVE THE EXISTING PAVEMENT AND CONSTRUCT NEW PAVEMENT, SHOULDERS AND CURB AND GUTTER AS SHOWN ON THE PLANS.
- TRAFFIC CONTROL AT THE INTERSECTION WILL REMAIN A 4 - WAY STOP CONDITION UNLESS OTHERWISE DIRECTED BY THE ENGINEER.



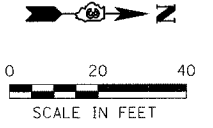
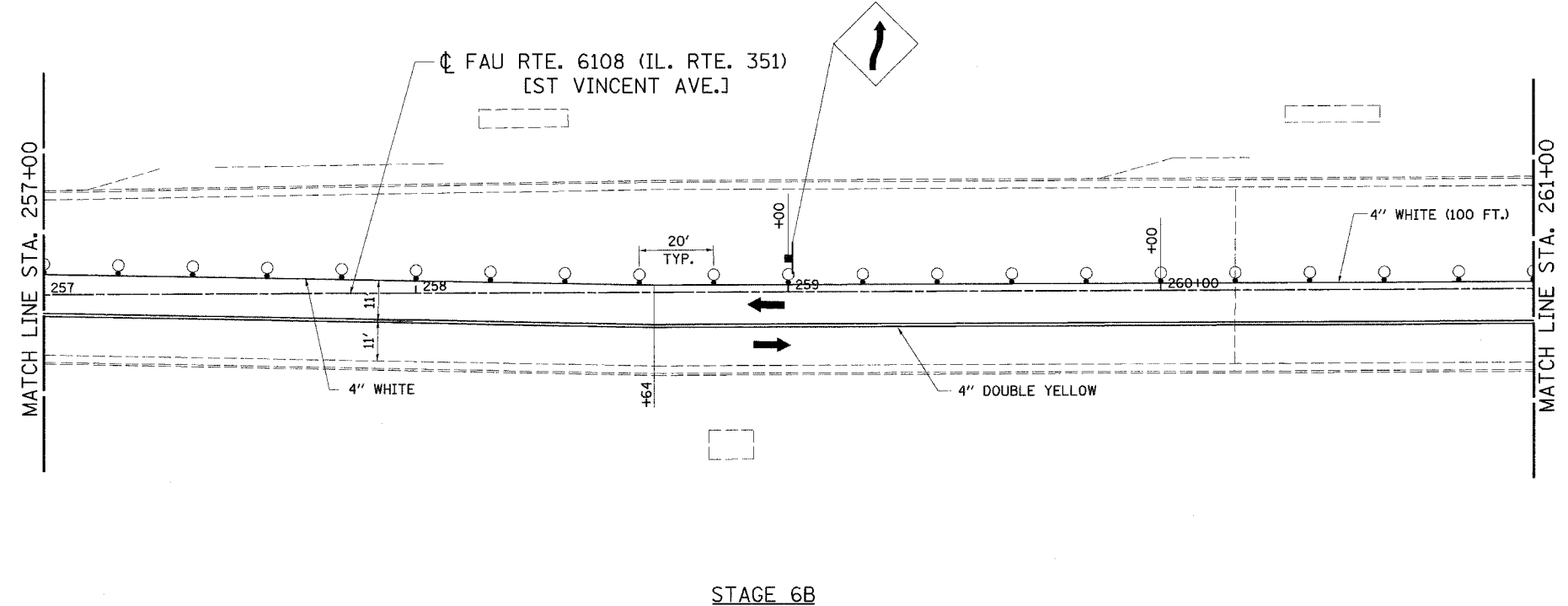
| | | | | |
|---------------------|----------------|----------|------------------|-----------|
| F.A.U. RTE. | SECTION | COUNTY | TOTAL SHEETS | SHEET NO. |
| 6108 | (70XN & TS-1) | LA SALLE | 46 | 290 |
| STA. 252+00 | TO STA. 261+00 | | | |
| FED. ROAD DIST. NO. | | ILLINOIS | FED. AID PROJECT | |
| CONTRACT NO. 86603 | | | | |

| PLOTS & CHECKS | | |
|----------------|------|--------|
| INT. | DATE | REASON |
| | | |
| | | |
| | | |
| | | |
| | | |
| | | |
| | | |
| | | |
| | | |
| | | |

FILE NAME = \$HILLS\$
 PLOT SCALE = \$PLOTS\$
 PLOT DATE = \$DATE\$
 PLOT TIME = \$TIME\$
 OPERATOR = \$USER\$

| CHECKS | | |
|--------|------|--------|
| INT. | DATE | REASON |
| | | |
| | | |
| | | |
| | | |
| | | |
| | | |

STAGE 6B



| LEGEND | |
|---|---|
| DIRECTION OF TRAFFIC | → |
| TYPE C BIDIRECTIONAL REFLECTOR | ◆ |
| TYPE III BARRICADE W/ FLASHING LIGHTS | ⊥ |
| TYPE III BARRICADE | ⊥ |
| DRUM OR BARRICADE WITH STEADY BURNING LIGHT | ○ |
| WORK ZONE | ▨ |
| DRUM OR BARRICADE | ○ |
| TEMPORARY WIDENING | ⊗ |

ILLINOIS DEPARTMENT OF TRANSPORTATION
STAGE 6B TRAFFIC CONTROL & CONSTRUCTION
STA. 252+00 TO STA. 261+00
 FAU 6108 (IL RTE. 351)
 SECTION (70XN & TS-1)
 LA SALLE COUNTY

SCALE: VERT. DRAWN BY: Heb
 HORIZ. DESIGNED BY: COLBROOK
 DATE 05/07/03 CHECKED BY: COLBROOK

REVISIONS
 NAME DATE

GREENE & BRADFORD, INC.
 OF SPRINGFIELD
REGISTERED PROFESSIONAL ENGINEERS
 STATE OF ILLINOIS No. 0517-0001-0001
 PROFESSIONAL ENGINEERING LICENSE NO. 0001-0001-0001
 2017-2020, 2021-2022 FULL LICENSE 2017-2020-2022

COMPUTER FILE NO.
 STAGE6-B-1
 PROJECT 01194.L.n
 02/17/04 Heb