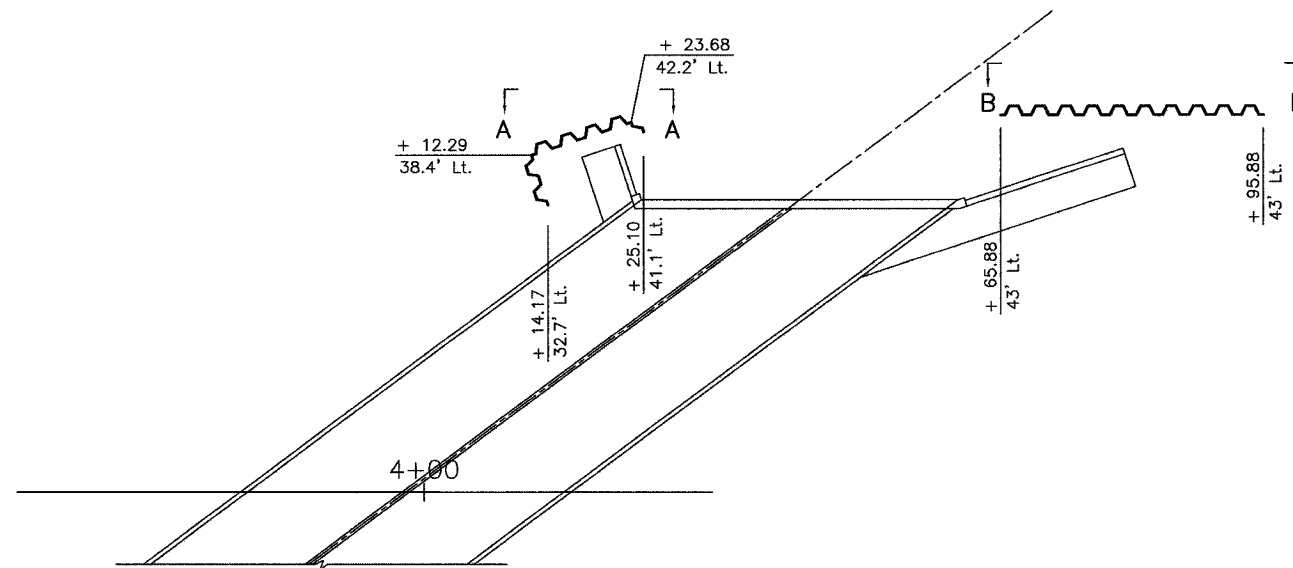


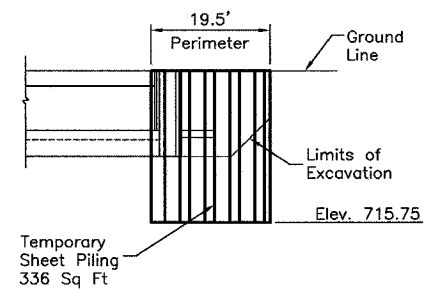
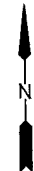
ROUTE NO.	SECTION	COUNTY	SHEET NO.	TOTAL SHEETS
**		LASALLE	13	7
SHEET NO. 13 OF 7				

Sheet 2
of 6 Sheets

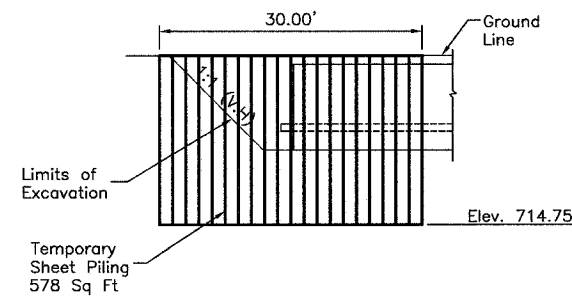
** 03-00609-00-BR
*** BRM-5044 (9)
CONTRACT NO. 87294



PLAN



SECTION A-A
Northwest Wingwall



SECTION B-B
Northeast Wingwall

TEMPORARY SHEET PILING
3RD STREET
OVER MENDOTA CREEK
SECTION 03-00609-00-BR
LASALLE COUNTY
STA. 3+97.85
SN 050-7015