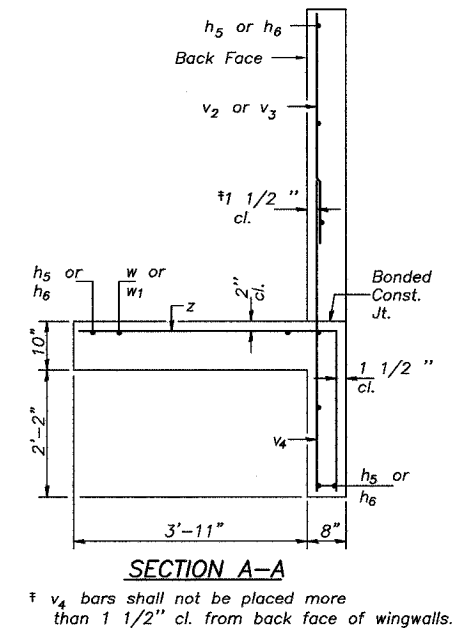
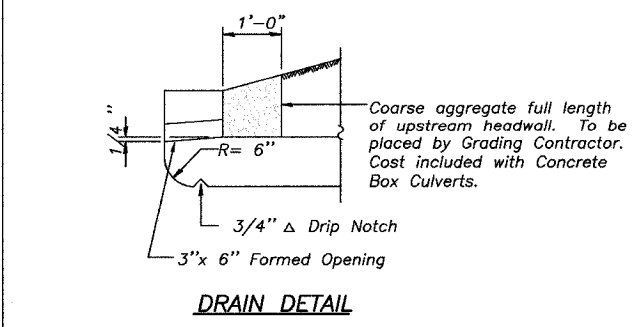
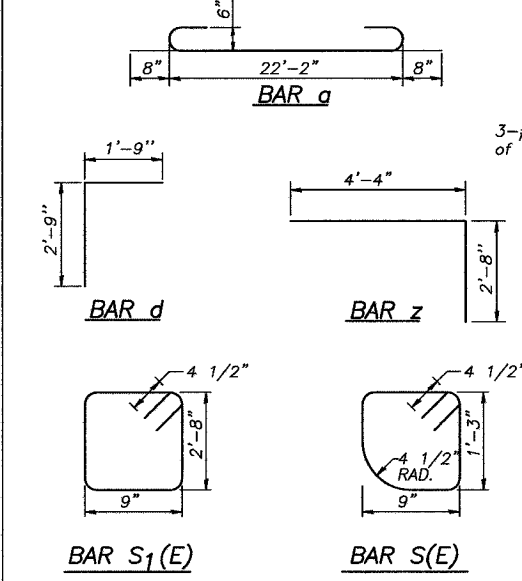
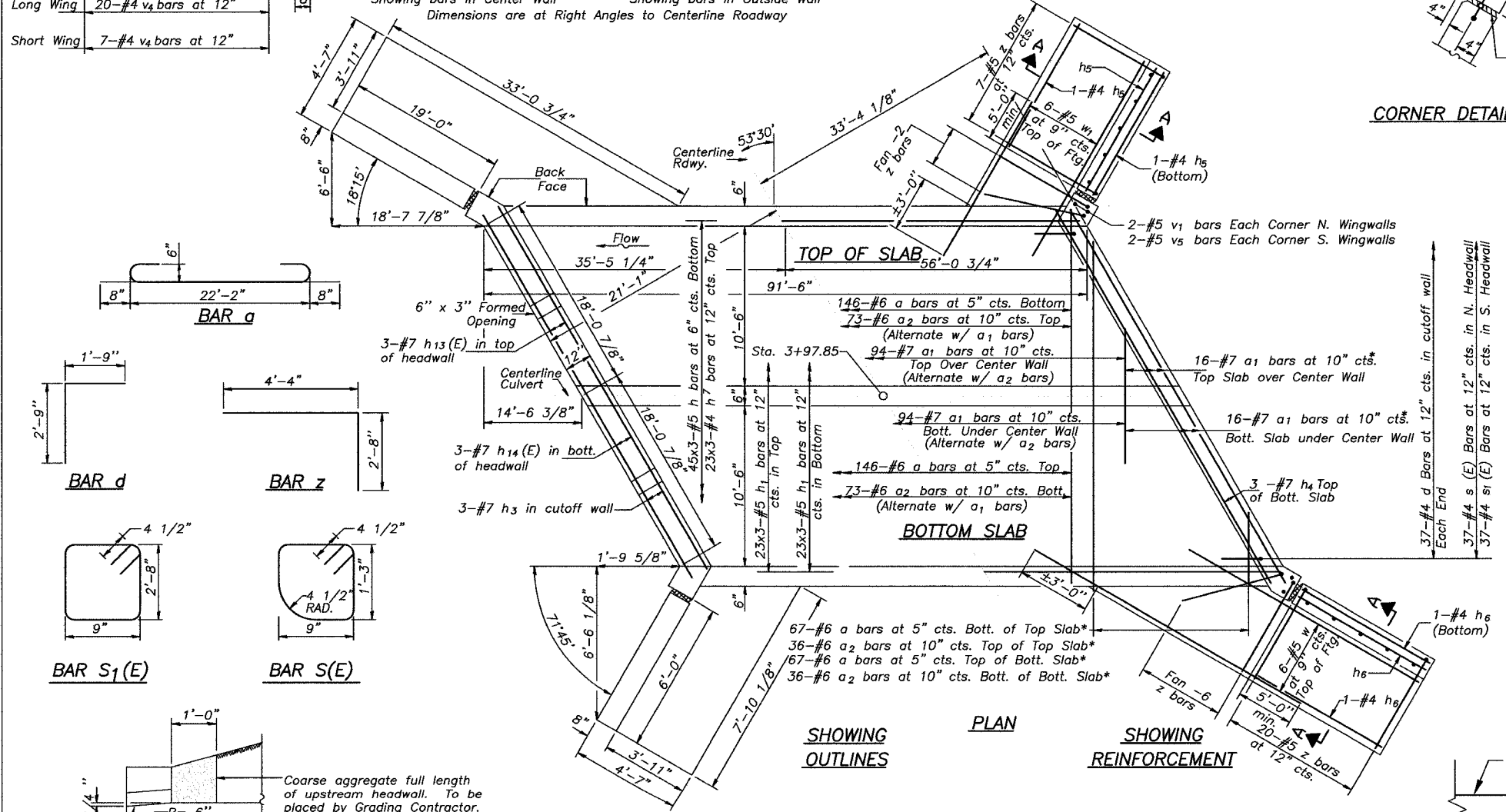
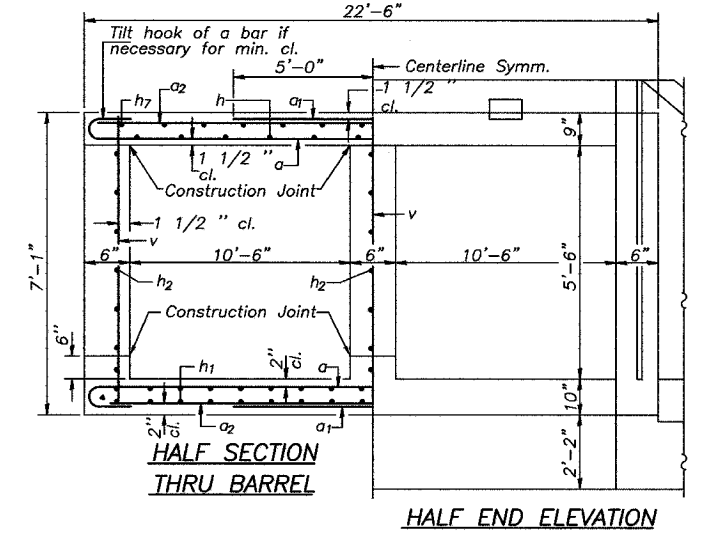
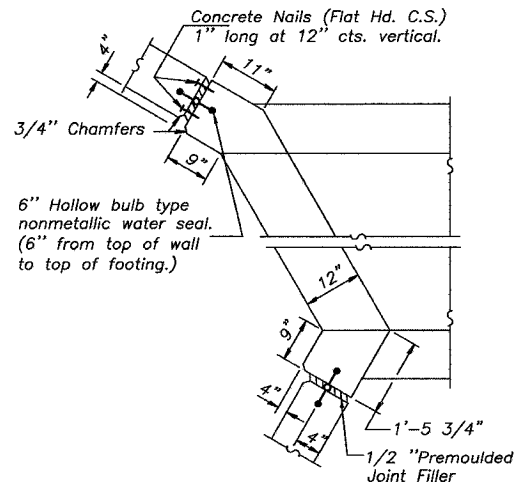
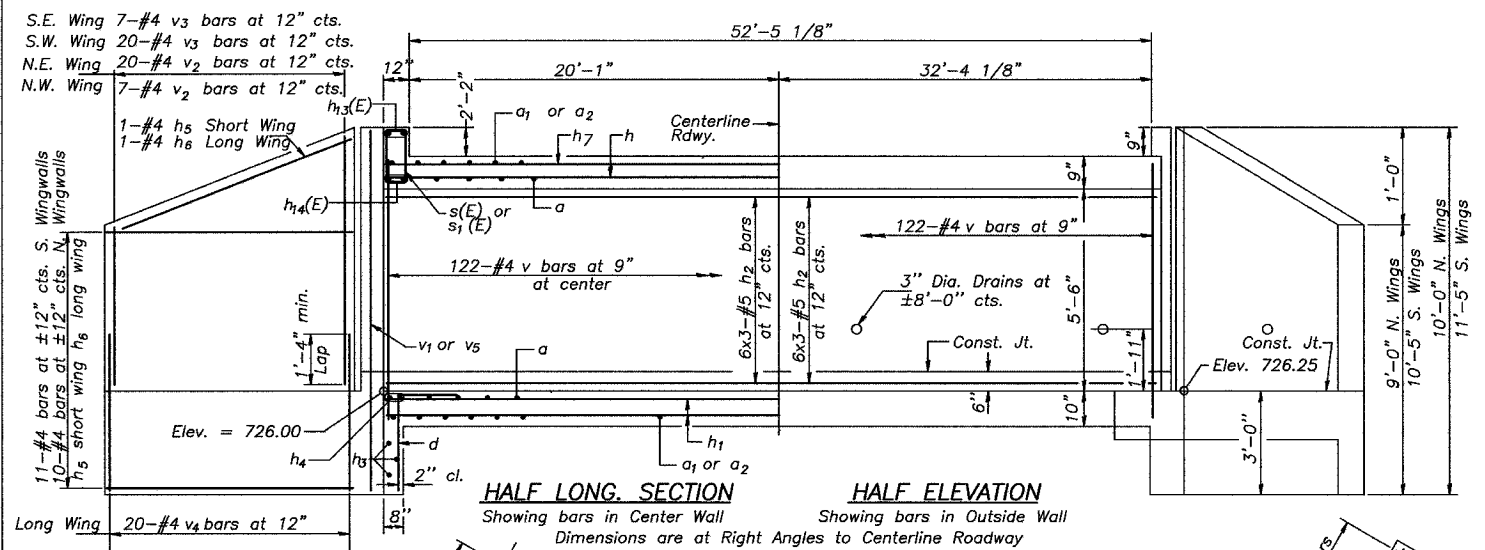


** 03-00609-00-BR
 *** BRM-5044 (9)
 CONTRACT NO. 87294

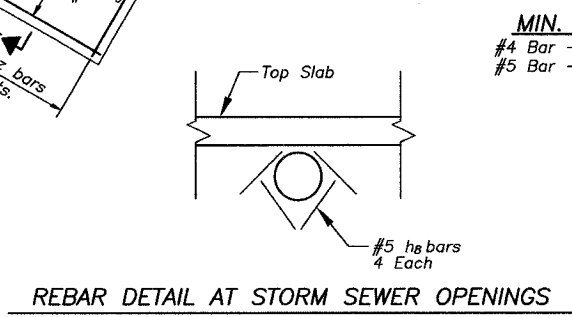


BILL OF MATERIAL

Bar	No.	Size	Length	Shape
a	426	#6	23'-6"	U
a ₁	220	#7	10'-0"	U
a ₂	218	#6	22'-2"	U
d	74	#4	4'-6"	L
h	135	#5	31'-7"	U
h ₁	138	#5	31'-7"	U
h ₂	54	#5	31'-7"	U
h ₃	6	#7	37'-0"	U
h ₄	6	#7	37'-0"	U
h ₅	27	#4	5'-8"	U
h ₆	27	#4	18'-8"	U
h ₇	69	#4	31'-7"	U
h ₈	8	#5	2'-0"	U
h ₁₃ (E)	6	#7	37'-0"	U
h ₁₄ (E)	6	#7	37'-0"	U
v	366	#4	6'-9"	U
v ₁	4	#5	9'-8"	U
v ₂	27	#4	5'-10"	U
v ₃	27	#4	7'-3"	U
v ₄	54	#4	5'-2"	U
v ₅	4	#5	11'-1"	U
s(E)	37	#4	4'-7"	U
s ₁ (E)	37	#4	7'-7"	U
w	12	#5	25'-3"	U
w ₁	12	#5	10'-0"	U
z	70	#5	7'-0"	L
Concrete Box Culverts	Cu. Yd.		179	
Reinforcement Bars, Epoxy Coated	Pound		1210	
Reinforcement Bars	Pound		43720	

Notes: Bars indicated thus 12x4-#5 etc. indicates 12 lines of bars with 4 lengths per line. See sheet 1 of 6 for storm Sewer-opening in west and east walls.

* a, a₁ and a₂ bars in skew portion of slab shall be ordered full length and cut to fit. Balance of bar to be used in opposite end.



CULVERT DETAILS
 3RD STREET
 OVER MENDOTA CREEK
 SECTION 03-00609-00-BR
 LASALLE COUNTY
 STA. 3+97.85
 SN 050-7015