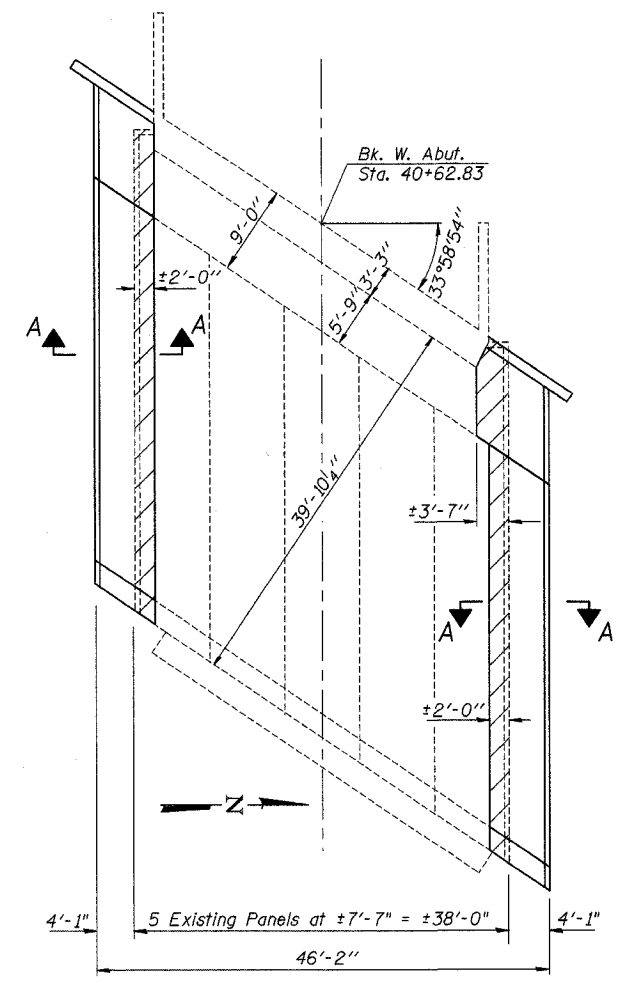
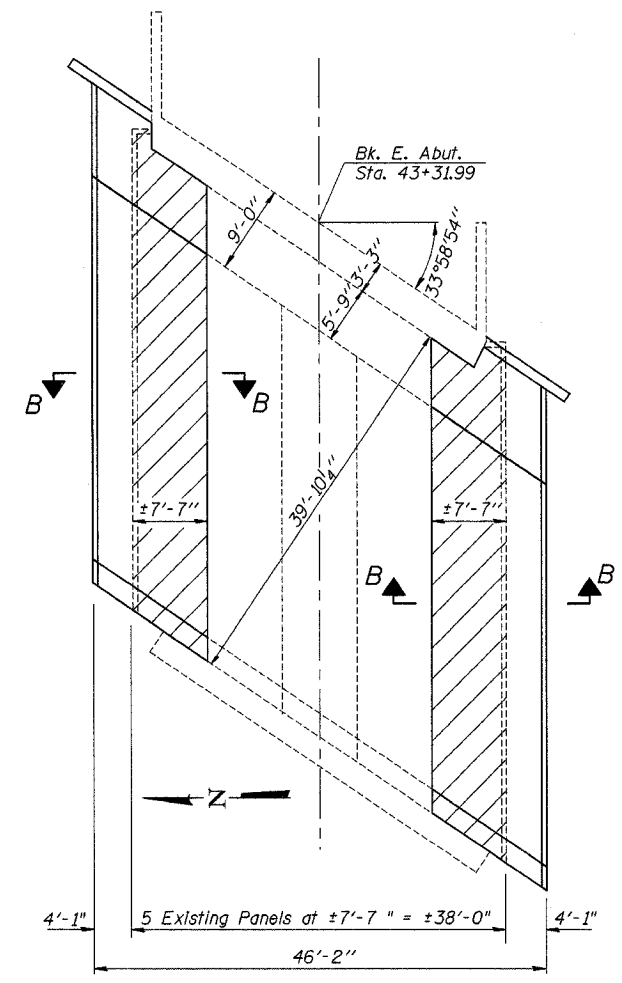


ROUTE NO.	SECTION	COUNTY	TOTAL SHEETS	SHEET NO.
F.A.I. 72	74-70HBR	PIATT	41	19
FED. ROAD DIST. NO. 5		ILLINOIS PROJECT		
Sheet 3 of 20		CONTRACT #90957		



WEST SLOPE WALL PLAN



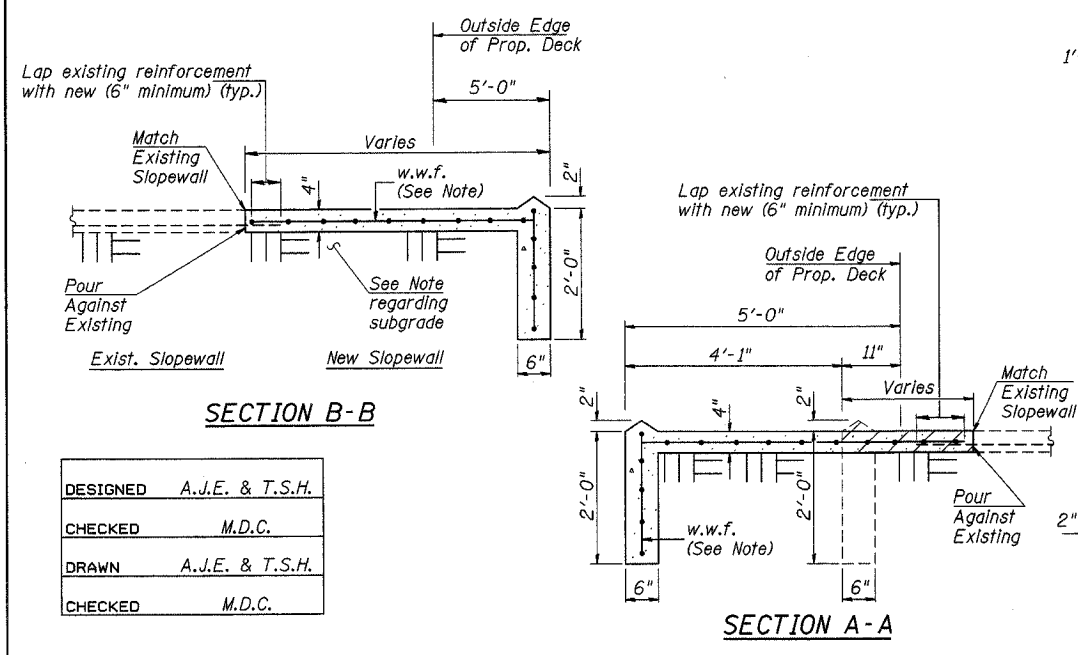
EAST SLOPE WALL PLAN

NOTES:

Hatched areas indicate areas of existing concrete slopewall to be removed.

Slope wall shall be reinforced with welded wire fabric, 6" x 6" - W4.0 x W4.0, weighing 58 lbs. Per 100 sq. ft.

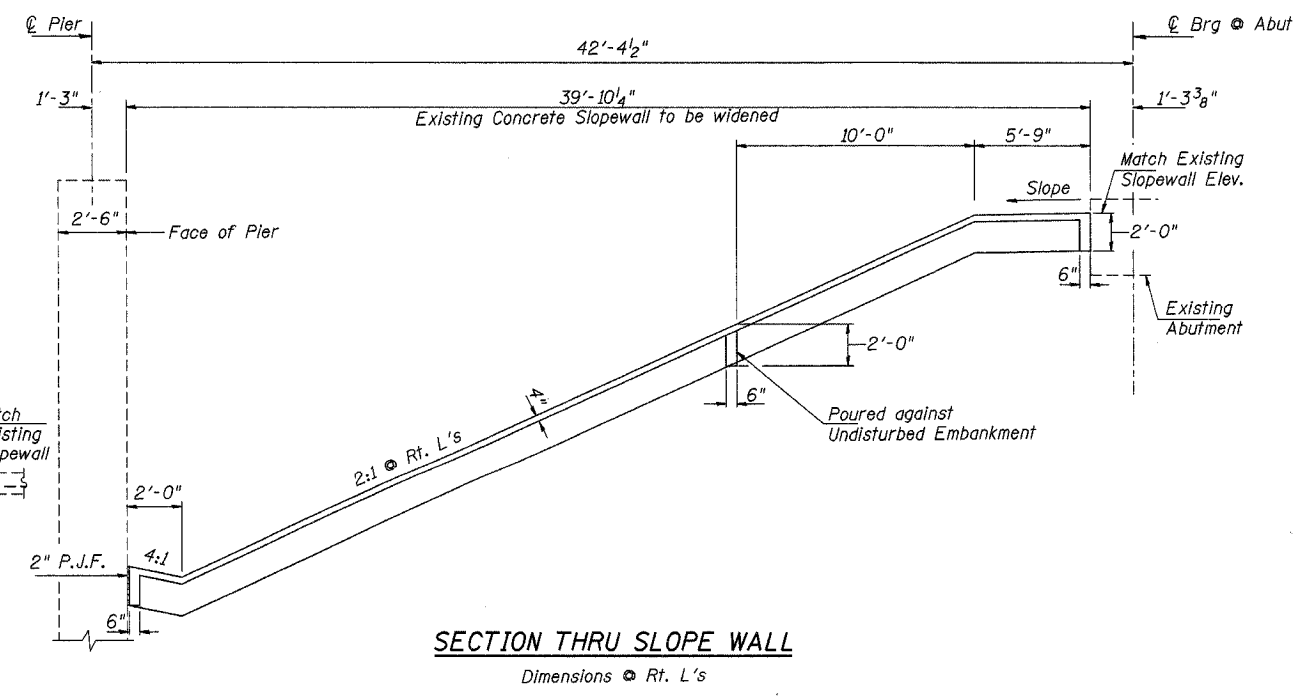
The cost of furnishing and placing any additional subgrade material necessary for grading beneath slopewall is included in the unit cost of Slope Wall 4".



SECTION B-B

SECTION A-A

DESIGNED	A.J.E. & T.S.H.
CHECKED	M.D.C.
DRAWN	A.J.E. & T.S.H.
CHECKED	M.D.C.



SECTION THRU SLOPE WALL

Dimensions @ Rt. L's

BILL OF MATERIAL

Item	Unit	Total
Slope Wall 4"	Sq. Yd.	202
Slope Wall Removal	Sq. Yd.	112

SLOPEWALL DETAILS

IL ROUTE 10 OVER I-72
 F.A.I. ROUTE 72 SECTION 74-70HBR
 PIATT COUNTY
 STA. 1421+61.77
 S.N. 074-0007

CUMMINS ENGINEERING CORPORATION	JOB #: 088
	FILE: 088SLOPE
	DATE: 6/30/04