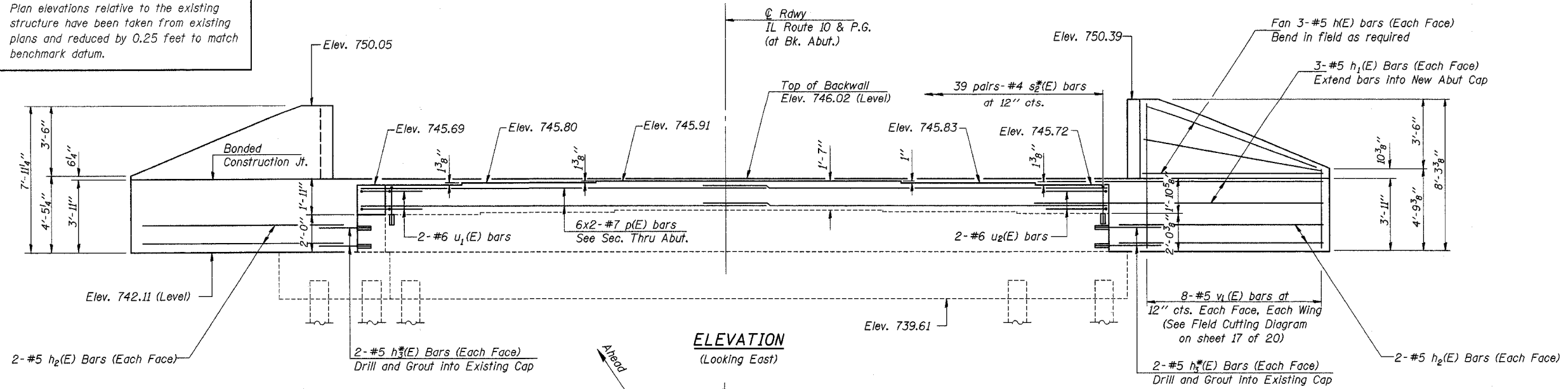
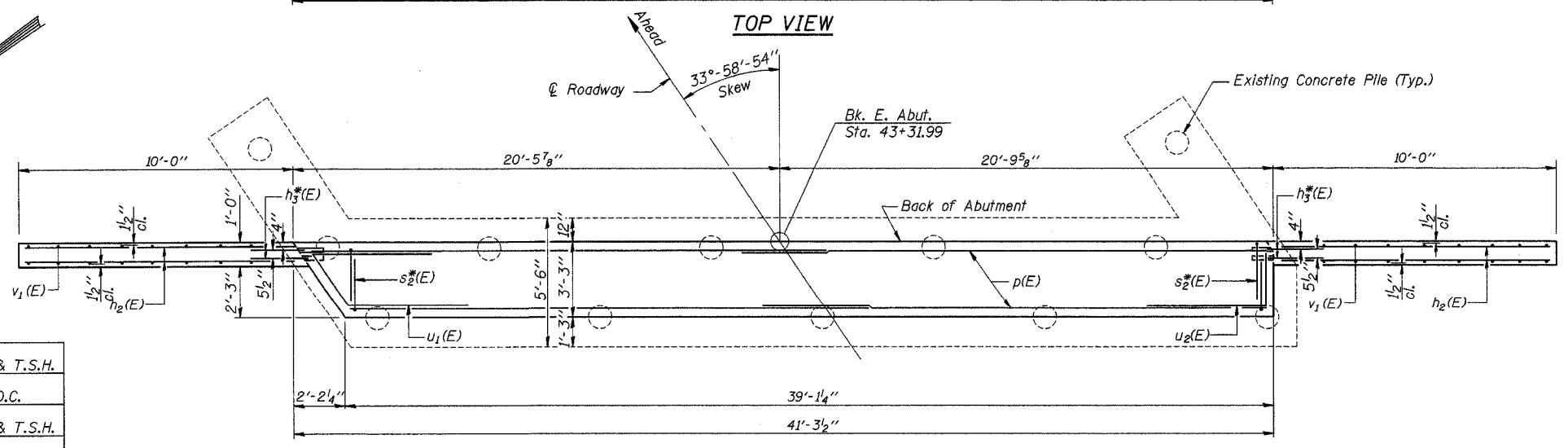
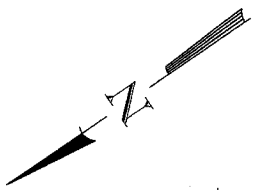
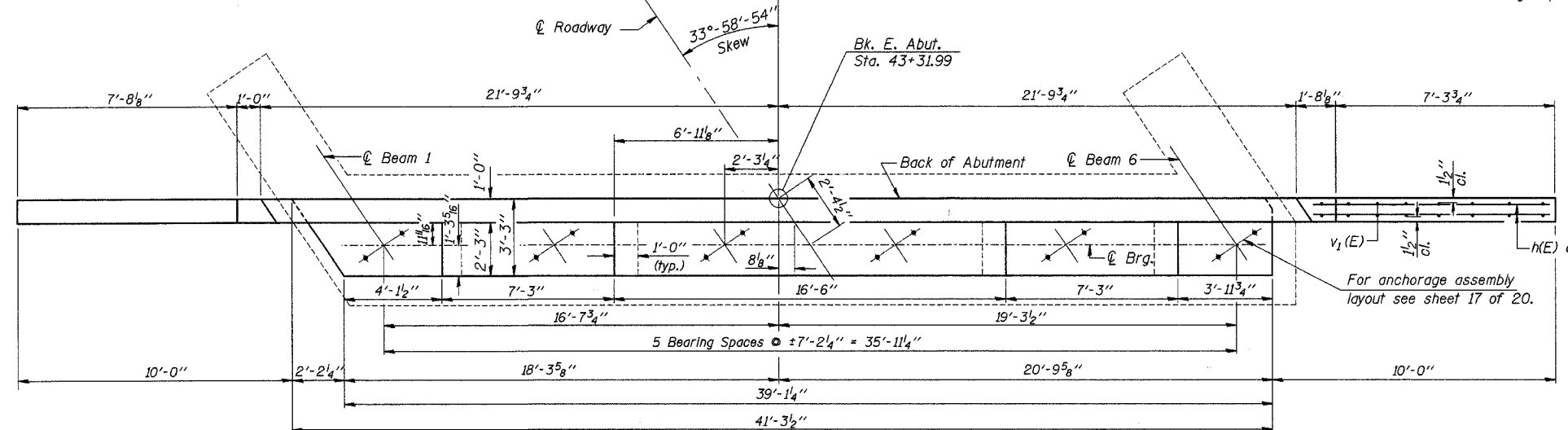


ROUTE NO.	SECTION	COUNTY	TOTAL SHEETS	SHEET NO.
F.A.I. 72	74-70HBR	PIATT	41	32
FED. ROAD DIST. NO. 5	ILLINOIS PROJECT			
Sheet 16 of 20			CONTRACT #90957	

NOTE
Plan elevations relative to the existing structure have been taken from existing plans and reduced by 0.25 feet to match benchmark datum.



MIN. BAR LAP
#7 bar = 3'-5"



DESIGNED	A.J.E. & T.S.H.
CHECKED	M.D.C.
DRAWN	A.J.E. & T.S.H.
CHECKED	M.D.C.

NOTES:
Space reinforcement in new bearing seat to miss anchorage assemblies.
Pour steps monolithically with new bearing seat.
Reinforcement bars designated (E) shall be epoxy coated.
All bars designated with an asterisk (ex: h3*(E)) shall be epoxy grouted in accordance with Section 584 of the Standard Specifications. Minimum embedment = 9". Locate bars to miss existing reinforcement.
See sheet 17 of 20 for Abutment Details

Work this sheet with sheet 17 of 20.

EAST ABUTMENT

IL ROUTE 10 OVER I-72
F.A.I. ROUTE 72 SECTION 74-70HBR
PIATT COUNTY
STA. 1421+61.77
S.N. 074-0007

CUMMINS ENGINEERING CORPORATION	JOB #: 088 FILE: 088ABUTS DATE: 6/30/04
---------------------------------	---

PLAN

ELEVATION
(Looking East)