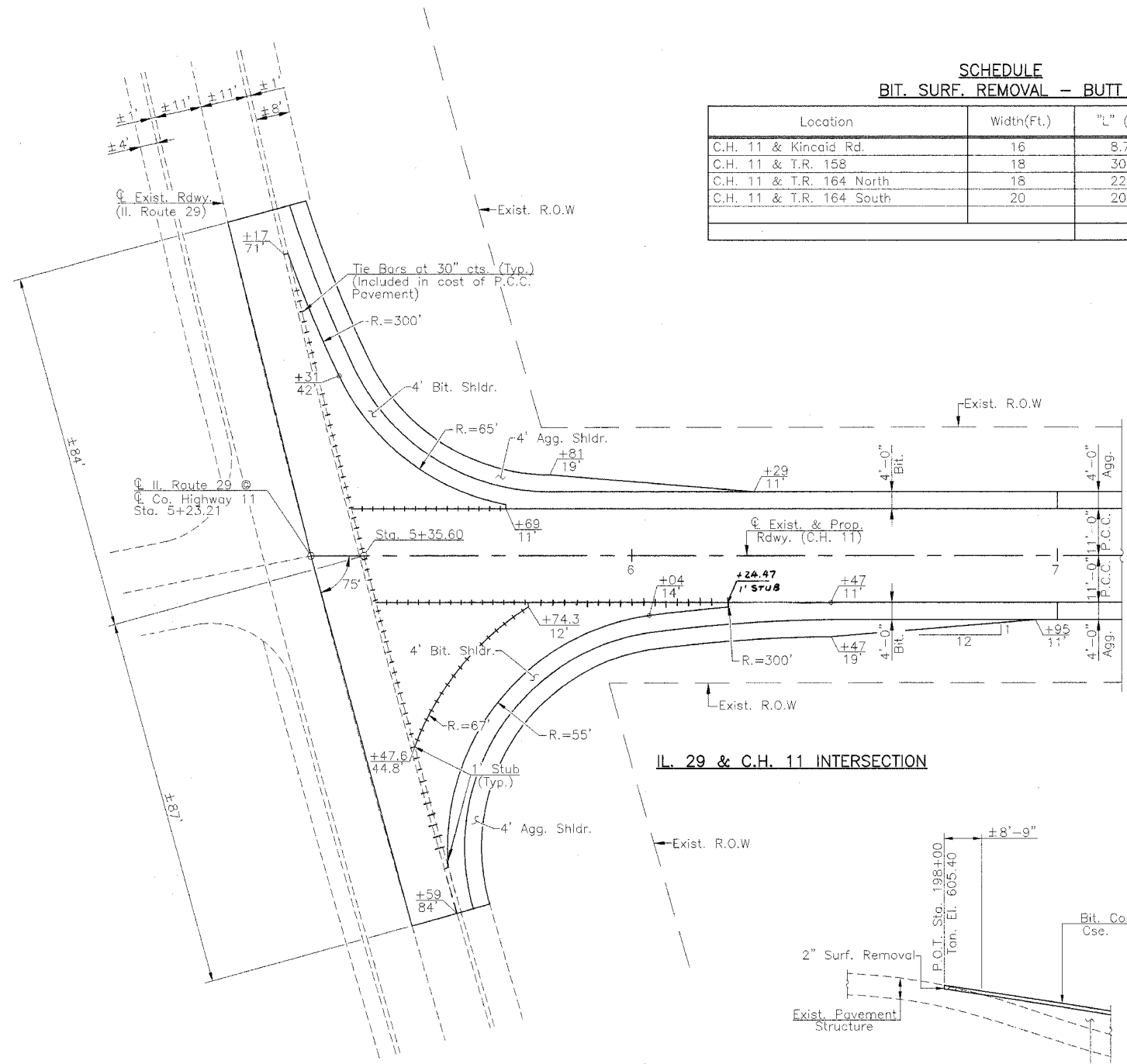


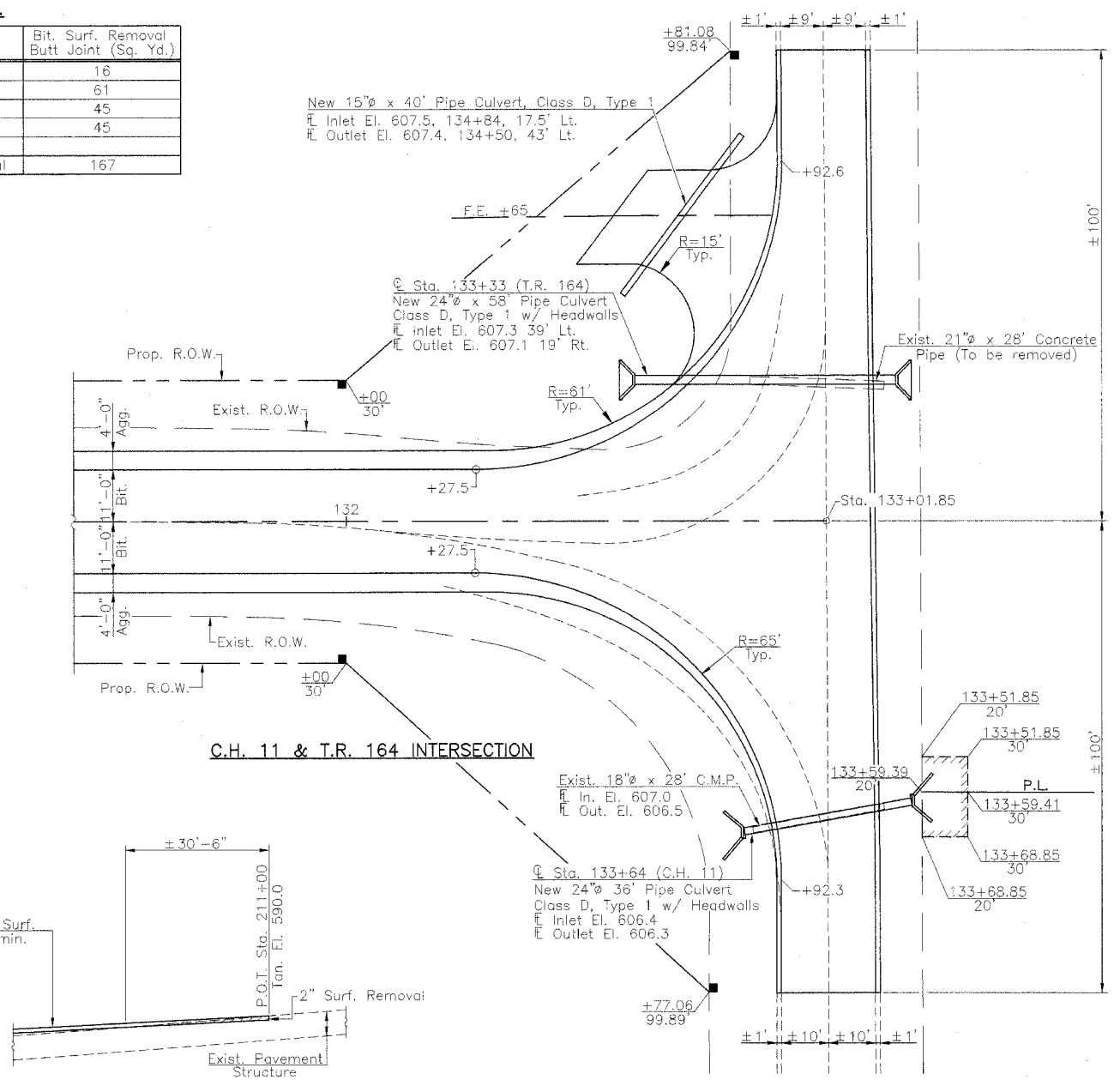
RTE.	SECTION	COUNTY	TOTAL SHEETS	SHEET NO.
C.H. 11	*	MENARD	44	3
PROJECT 5R-565(110)				
* 98-00047-00-RS				

**SCHEDULE
BIT. SURF. REMOVAL - BUTT JT.**

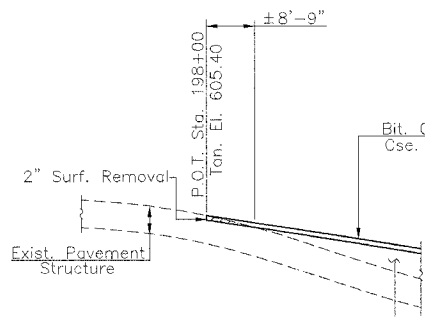
Location	Width(Ft.)	"L" (Ft.)	Bit. Surf. Removal Butt Joint (Sq. Yd.)
C.H. 11 & Kincaid Rd.	16	8.75	16
C.H. 11 & T.R. 158	18	30.5	61
C.H. 11 & T.R. 164 North	18	22.4	45
C.H. 11 & T.R. 164 South	20	20.2	45
		Total	167



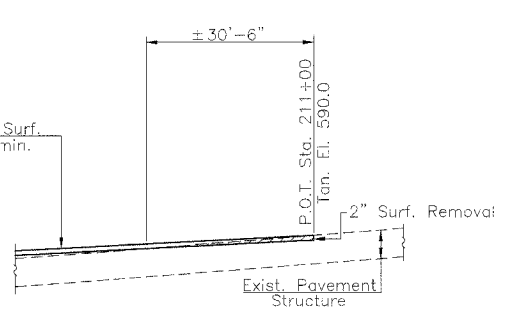
IL 29 & C.H. 11 INTERSECTION



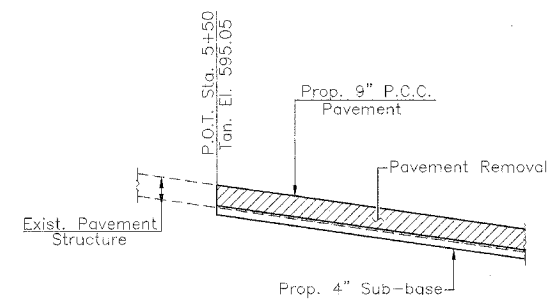
C.H. 11 & T.R. 164 INTERSECTION



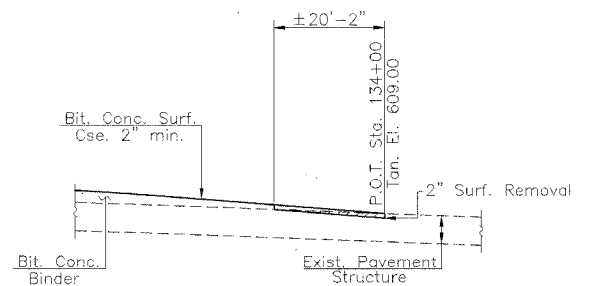
**BUTT JOINT DETAIL
(Kincaid Rd. & C.H. 11)**



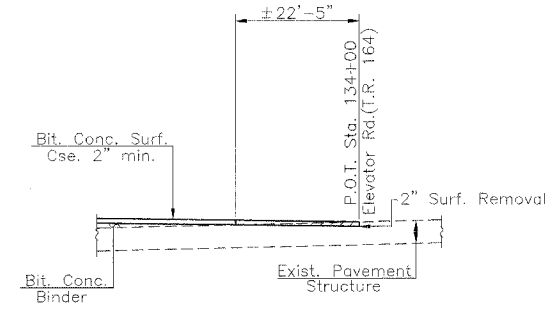
**BUTT JOINT DETAIL
(C.H. 11 & Everett Moss Rd.)**



**BUTT JOINT DETAIL
(C.H. 29 & C.H. 11)**



**BUTT JOINT DETAIL
(C.H. 11 & T.R. 164 South)**



**BUTT JOINT DETAIL
(C.H. 11 & T.R. 164 North)**

**INTERSECTION DETAILS
F.A.S. 565 - QUARRY ROAD (C.H. 11)
SECTION 98-00047-00-RS
MENARD COUNTY**

FILE NAME: WC570 (REV. 1/28/04)