

RTE.	SECTION	COUNTY	TOTAL SHEETS	SHEET NO.
C.H. 11	*	MENARD	44	4
PROJECT SR-565(110)				

* 98-00047-00-RS

FIELD, PRIVATE & COMMERCIAL AGGREGATE ENTRANCE SCHEDULE

Location	Width	Surface	Length (Foot)	*Total Agg. Surface (Ton)
P.E. Sta. 7+67 Lt.	±11'	Agg.	13	0
P.E. Sta. 12+18 Lt.	14'	Agg.	15	42
P.E. Sta. 13+59 Lt.	14'	Agg.	15	55
F.E. Sta. 33+03 Lt.	20'	Agg.	15	10
F.E. Sta. 40+13 Rt.	20'	Agg.	15	6
P.E. Sta. 201+18 Lt.	12'	Agg.	15	12
P.E. Sta. 97+84 Rt.	10'	Agg.	20	27
C.E. Sta. 100+27 Lt.	55'	Agg.	26	76
C.E. Sta. 103+22 Lt.	55'	Agg.	15	32
Total				260

* - Quantity included with Agg. Shoulders, Type A
See Schedule Sheet No. 5 of 44.

COMMERCIAL CONCRETE OR BITUMINOUS ENTRANCE SCHEDULE

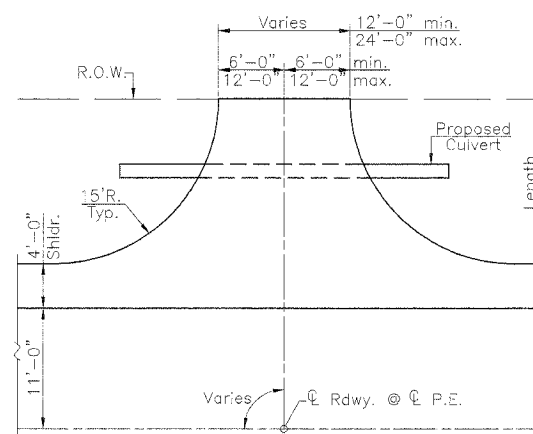
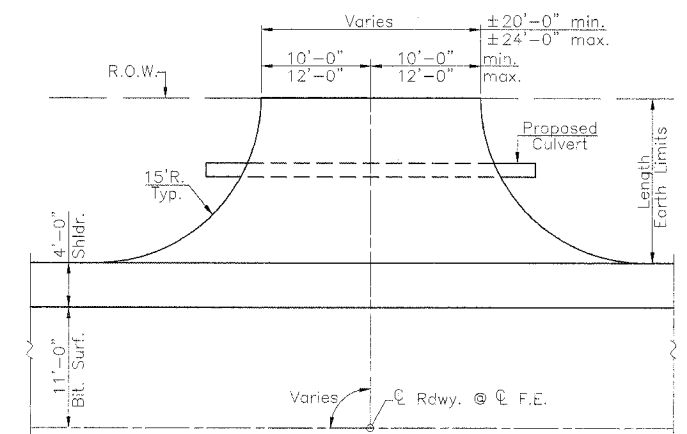
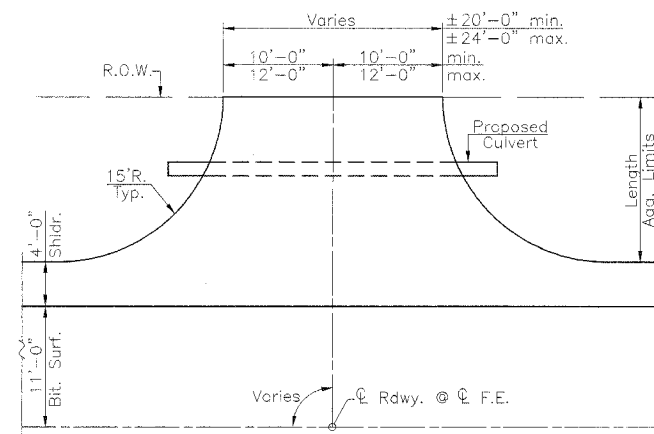
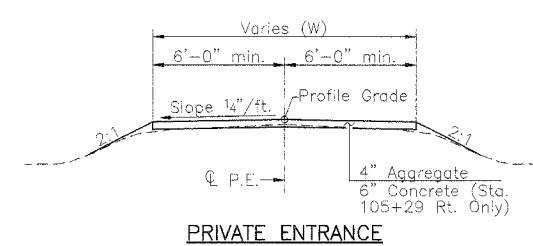
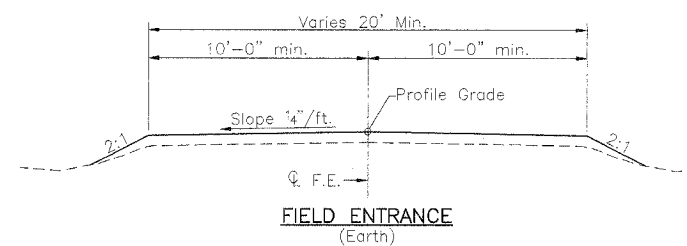
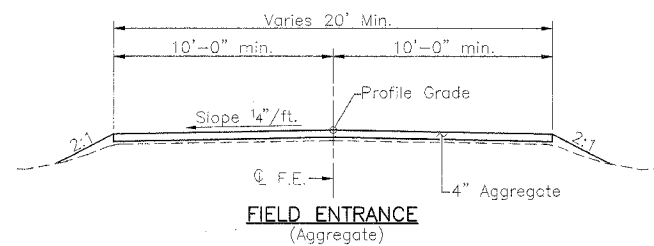
Location	Width	Surface	Length (Foot)	Total P.C.C. Pav't. (Sq. Yd)	Total Bit. Base 7" (Sq. Yd)
C.E. Sta. 22+63 Lt.	35'	Conc.	19	113	
C.E. Sta. 25+34 Lt.	35'	Conc.	19	113	
C.E. Sta. 28+00 Lt.	35'	Conc.	19	113	
C.E. Sta. 40+13 Lt.	35'	Bit.	19		113
Total				339	113

Bituminous Binder and Surface quantity included with Plan & Profile Sheet Quantities.

EARTH FIELD ENTRANCE SCHEDULE

Location	Width	Surface	Length (Foot)	**Total Embankment (Cu. Yd.)
F.E. Sta. 83+60 Lt.	20' Ex. 20' Prop.	Earth	15	9
F.E. Sta. 98+10 Lt.	16' Ex. 20' Prop.	Earth	23.5	16
F.E. Sta. 99+00 Lt.	14' Ex. 20' Prop.	Earth	21.5	11
F.E. Sta. 97+42 Rt.	14' Ex. 20' Prop.	Earth	15	10
F.E. Sta. 108+39 Lt.	18' Ex. 20' Prop.	Earth	15	4
F.E. Sta. 110+35 Rt.	12' Ex. 20' Prop.	Earth	15	5
F.E. Sta. 120+00 Lt.	14' Ex. 20' Prop.	Earth	13	2
F.E. Sta. 131+00 Rt.	20' Prop.	Earth	15	7
F.E. Sta. 133+65 Lt.	16' Ex. 20' Prop.	Earth	5	0
** Total				66

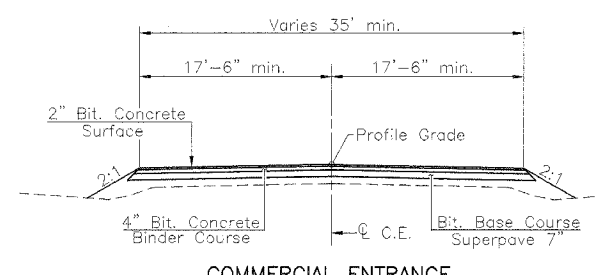
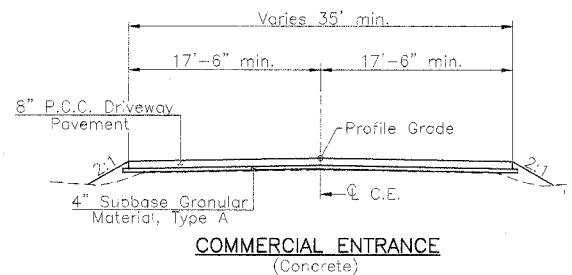
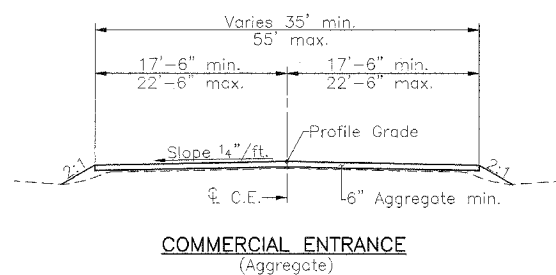
** - Quantity included with Plan & Profile Sheet Quantities
*** - See Entrance Schedules for appropriate width for each entrance



PLAN (Typical Aggregate Field Entrance)***

PLAN (Typical Earth Field Entrance)***

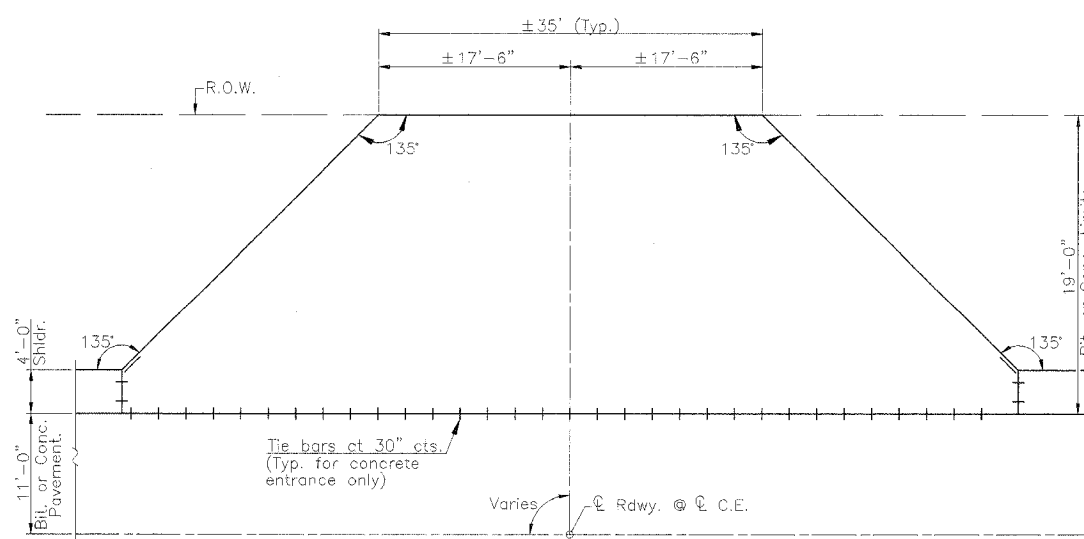
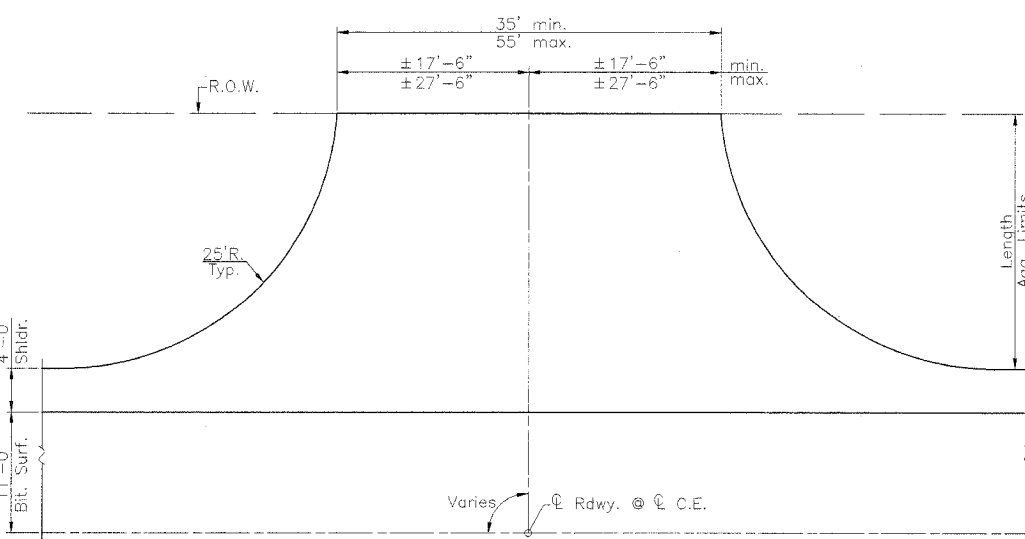
PLAN (Typical Private Entrance)***



COMMERCIAL ENTRANCE (Aggregate)

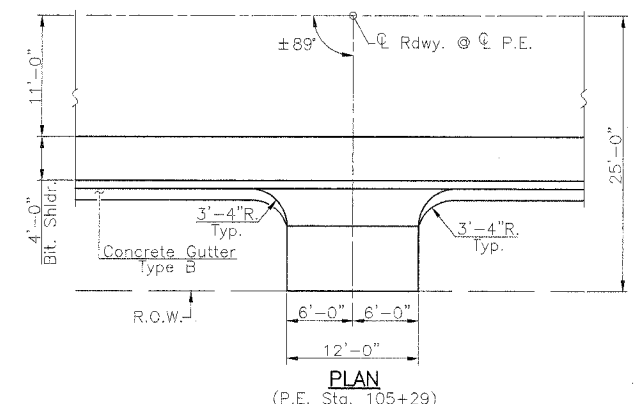
COMMERCIAL ENTRANCE (Concrete)

COMMERCIAL ENTRANCE (Bituminous)



PLAN (Typical Aggregate Commercial Entrance)***

PLAN (Typical Concrete or Bituminous Commercial Entrance)



PLAN (P.E. Sta. 105+29)

ENTRANCE DETAILS, SCHEDULES AND TYPICAL SECTIONS
F.A.S. 565 - QUARRY ROAD (C.H. 11)
SECTION 98-00047-00-RS
MENARD COUNTY