

RTE.	SECTION	COUNTY	TOTAL SHEETS	SHEET NO.
C.H. 11	*	MENARD	44	9
PROJECT SR-565(110)				

* 98-00047-00-RS

GENERAL NOTES

Precast Concrete Box Culvert sections shall conform to the requirements of Article 540.06 of the Standard Specifications and the applicable requirements of AASHTO M 273.
 The minimum concrete strength shall be 5000 psi.
 Reinforcement bars shall conform to the requirements of AASHTO M - 31, M - 42 or M - 53, Grade 60.
 Lifting holes shall be filled with concrete plugs and mastic after box sections are in place.
 For Section B-B see Sheet No. 13.
 Work this sheet with Sheet No. 8 of 44 Sheets.

WATERWAY INFORMATION

Drainage Area - 0.25 Sq. Mi.
 Provided Opening - 10 Sq. Ft.
 Present Opening - 10 Sq. Ft.
 Design Discharge (20 Yr. Fl.) - 102 c.f.s.

**CULVERT NO. 2
TWO END SECTIONS
BILL OF MATERIAL**

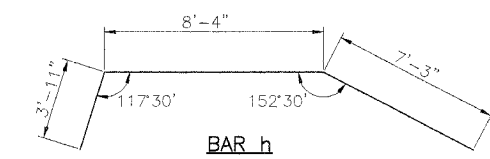
BAR	NO.	SIZE	LENGTH	SHAPE
a	20	#6	5'-8"	—
a ₁	8	#5	5'-8"	—
a ₂	16	#6	8'-5"	—
a ₃	6	#5	6'-5"	—
b	2	#4	8'-6"	—
b ₁	2	#4	12'-9"	—
b ₂	4	#4	17'-0"	—
h	2	#5	19'-6"	—
h ₁	6	#5	3'-11"	—
h ₂	6	#5	7'-3"	—
h ₃	14	#4	9'-6"	—
h ₄	14	#6	9'-6"	—
h ₅	8	#6	8'-4"	—
s	18	#4	3'-11"	□
v	20	#5	5'-4"	—
v ₁	10	#5	9'-11"	—
x	44	#4	5'-5"	—
x ₁	6	#4	23'-3"	—

* Class Sl Concrete	Cu. Yd.	13.5
* Reinforcement Bars	Pound	1500
Precast Concrete Box Culvert 5x2'(M273)	Foot	38
Bituminous Base Course Superpave 7"	Sq. Yd.	64
Rock Fill	Ton	62
Porous Granular Backfill	Cu. Yd.	63
Pavement Removal	Sq. Yd.	64
Box Culvert End Sections Culvert No. 2	Each	2
Removal of Existing Structures No. 2	Each	1

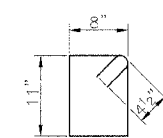
* Information Only

**CROSS ROAD CULVERT DETAILS
(STA. 37+22)**

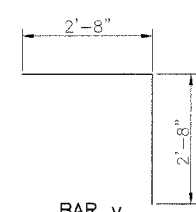
**E.A.S. 565 - QUARRY ROAD (C.H. 11)
SECTION 98-00047-00-RS
MENARD COUNTY**



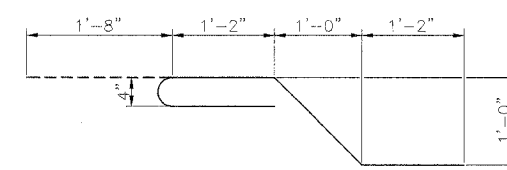
BAR h



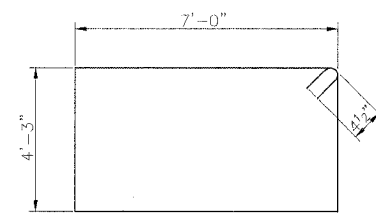
BAR s



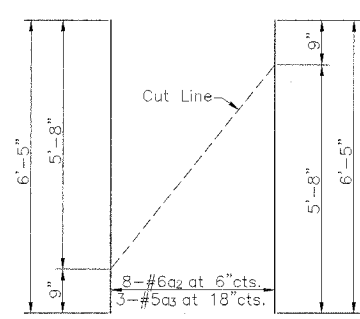
BAR v



BAR x

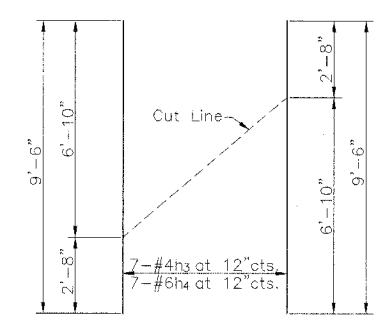


BAR x1



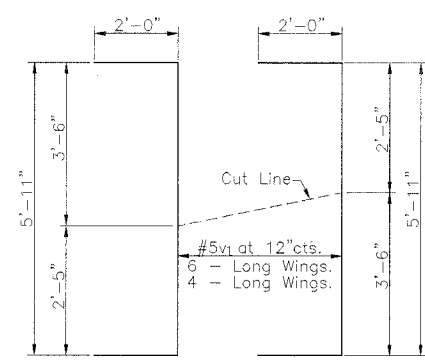
a₂ & a₃ BAR CUT DIAGRAM

Order a₂ & a₃ bars full length: Layout in field according to diagram. Cut a₂ & a₃ bars along cut line. Use remainder of each bar in opposite slab.



h₃ & h₄ BAR CUT DIAGRAM

Order h₃ & h₄ bars full length: Layout in field according to diagram. Cut h₃ & h₄ bars along cut line. Use remainder of each bar in opposite slab.



v₁ BAR CUT DIAGRAM

Order v₁ bars full length: Layout in field according to diagram. Cut v₁ bars along cut line. Use remainder of each bar in opposite slab.

FILE NAME: MCH2002.DWG 1/20/04