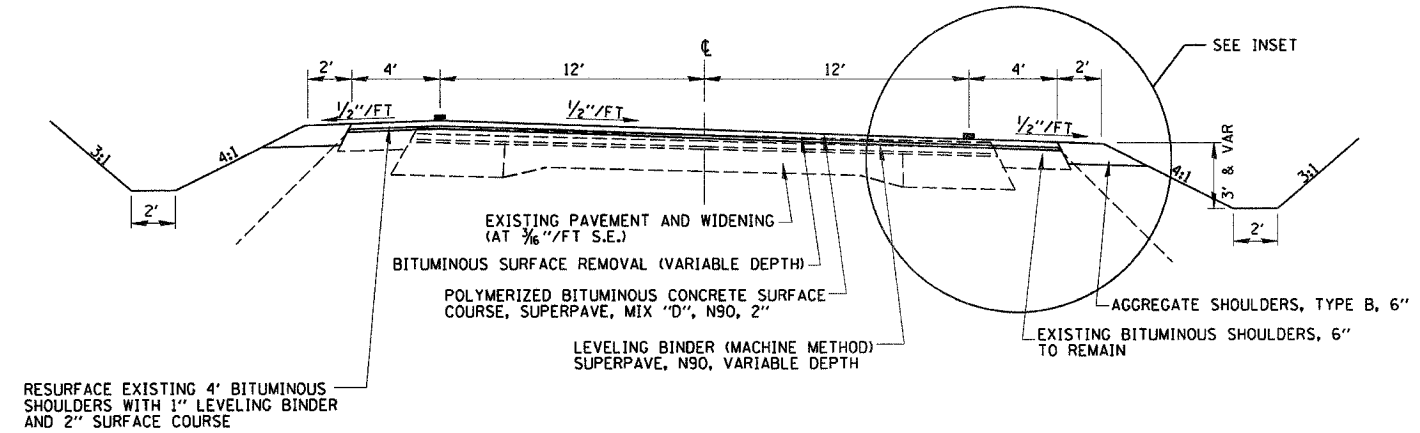
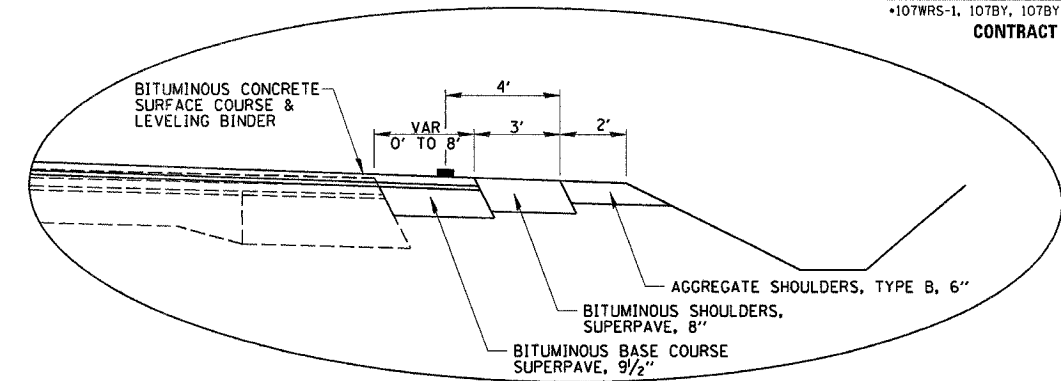


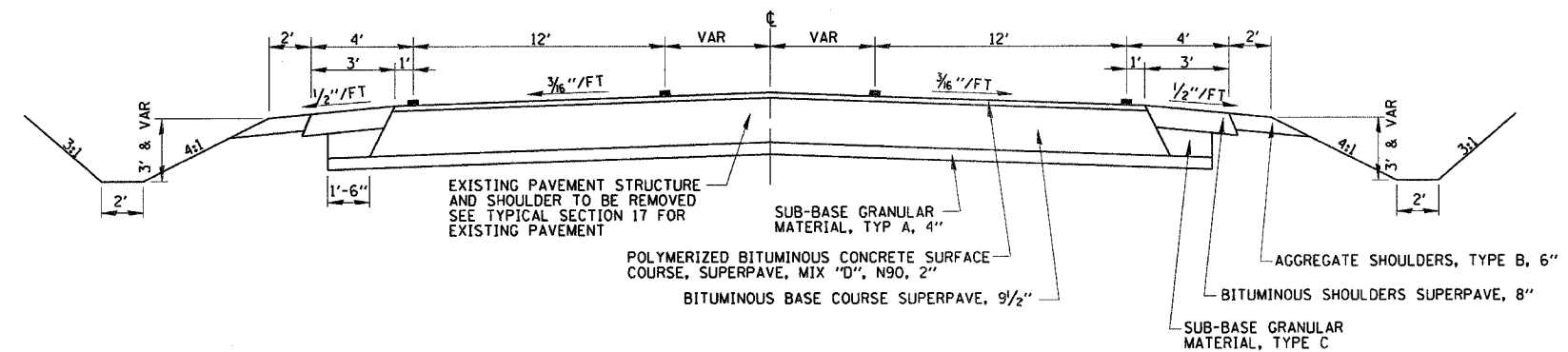
F.A.P. RTE.	SECTION	COUNTY	TOTAL SHEETS	SHEET NO.
774	*	EFFINGHAM	344	15
FED. ROAD DIST. NO. 7 ILLINOIS FED. AID PROJECT				
*107WRS-1, 107BY, 107BY-1 & 107B-2				
<b>CONTRACT NO. 94827</b>				



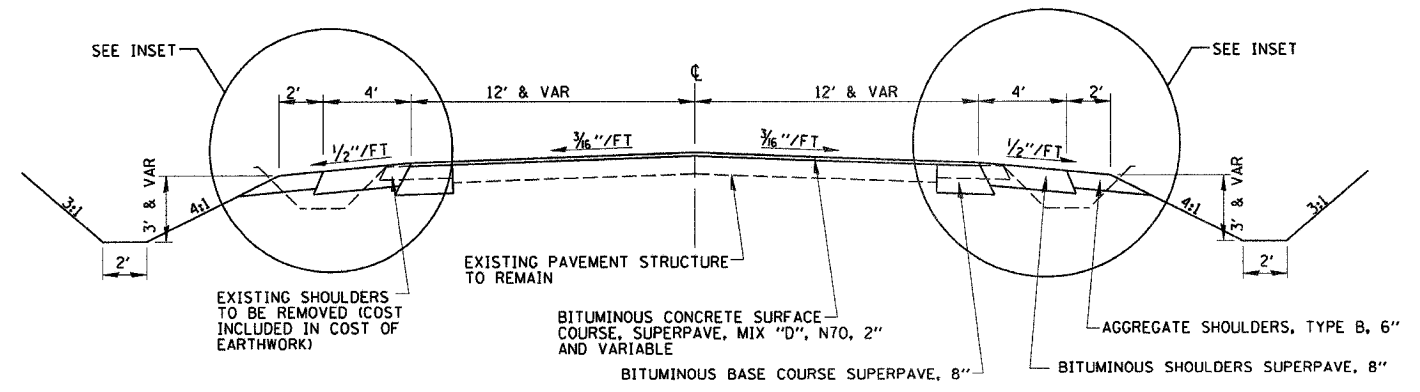
**PROPOSED TYPICAL SECTION 17**  
STA. 49+90.00 TO STA. 53+01.78 (IL RTE 32)



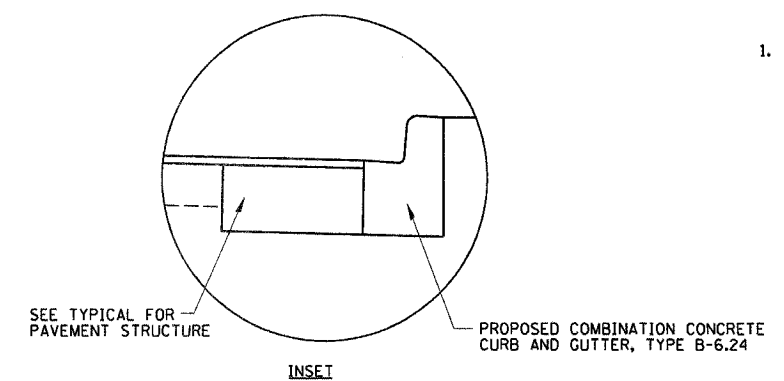
**INSET**  
RT STA. 51+67.70 TO STA. 53+01.78



**PROPOSED TYPICAL SECTION 18**  
STA. 53+01.78 TO STA. 55+83.37 (IL RTE 32)



**PROPOSED TYPICAL SECTION 19**  
STA. 60+00.00 TO STA. 63+80.70 (LAKE SARA RD)  
STA. 82+36.29 TO STA. 84+56.47 (RELOCATED NAZARENE RD)



PROPOSED COMBINATION CONCRETE CURB AND GUTTER, TYPE B-6.24 IN LIEU OF SHOULDERS  
RT STA. 61+87.00 TO STA. 63+35.00 (LAKE SARA RD)  
LT STA. 83+72.00 TO STA. 84+48.00 (RELOC NAZARENE RD)  
RT STA. 83+61.00 TO STA. 84+46.00 (RELOC NAZARENE RD)

**SHEET NOTE:**  
1. BASE COURSE WIDENING 6' OR LESS IS INCLUDED IN THE CONTRACT QUANTITIES FOR "BITUMINOUS BASE COURSE SUPERPAVE 8".

REVISIONS	
NAME	DATE

ILLINOIS DEPARTMENT OF TRANSPORTATION

TYPICAL SECTIONS  
SHEET 9 OF 10

DRAWN BY MLO  
CHECKED BY SJK  
DATE 8/02