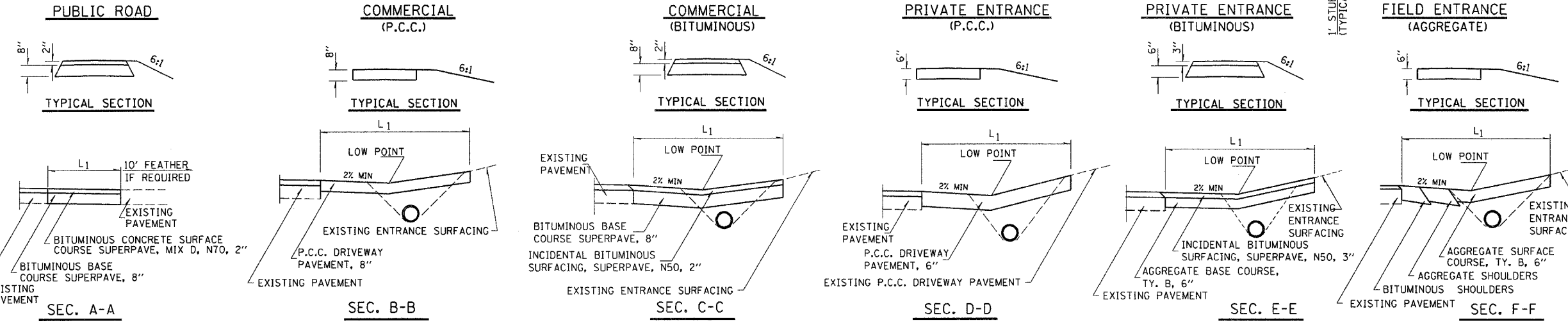
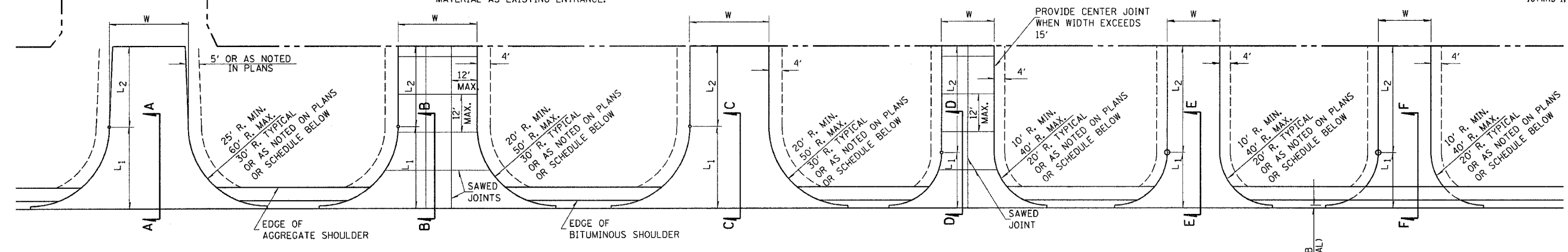


L<sub>1</sub> = DISTANCE FROM EDGE OF PAVEMENT TO RADIUS POINT OR MAX. DISTANCE 30'  
L<sub>2</sub> = DISTANCE FROM RADIUS POINT OR MAX DISTANCE 30' OFF EDGE OF PAVEMENT TO R.O.W. LINE.  
NOTE: MATERIAL USED TO CONSTRUCT L<sub>2</sub> LENGTH SHALL BE OF THE SAME TYPE OF MATERIAL AS EXISTING ENTRANCE.



ENTRANCE SCHEDULE

EXIST SURFACE TYPE	SIDE/STATION	WIDTH	LENGTH		RADIUS	AGGREGATE BASE COURSE TYPE B TON	BITUMINOUS BASE COURSE SUPERPAVE, 8" SQ. YD.	AGGREGATE SURFACE COURSE TYPE B TON	INCID. BIT. SURFACING, N50 SUPERPAVE, N50 TON	P.C.C. DRIVEWAY PAVT		BIT. CONCRETE SURFACE COURSE SUPERPAVE, MIX D, N70 TON	TEMPORARY ACCESS (PE) EACH	TEMPORARY ACCESS (CE) EACH
			6"	8"										
EARTH FE	RT/891+01.17	12'	20'	8'	20'	42	5	21		377	158		1	1
AGG PE	LT/891+22.08	24'	30'	8'	30'									
CONC CE	RT/894+30.00	35'	30'	56'	30'									
EARTH CE	LT/904+04.27	24'	30'	13'	30'									
EARTH FE	RT/904+30.49	12'	20'	23'	20'		5	18						
AGG CE	RT/910+06.27	35'	30'	13'	30'	157	17	18						
AGG CE	RT/913+87.84	35'	30'	13'	30'	160	17	18						
EARTH FE	RT/918+51.20	18'	20'	18'	20'		7						1	
AGG PE	LT/924+80.00	13'	20'	11'	20'	23	1	12					1	
EARTH FE	LT/932+90.00	12'	20'	23'	20'		5						1	
EARTH FE	RT/934+20.00	12'	20'	23'	20'		5						1	
EARTH FE	RT/941+00.00	20'	20'	23'	20'		7						1	
AGG CE	LT/953+15.73	35'	30'	8'	30'		11	18						1
AGG PE	RT/967+27.95	12'	20'	18'	20'	16	8	8					1	
BIT PE	RT/970+42.68	24'	20'	8'	20'								1	
CONC PE	RT/972+37.06	17'	20'	8'	20'								1	
CONC PE	LT/973+25.02	12'	20'	8'	20'								1	
CONC PE	RT/977+48.03	22'	20'	8'	20'								1	
BIT PE	RT/982+13.12	22'	20'	20'	20'								1	
EARTH FE	LT/1001+08.52	12'	20'	68'	20'	133	5	65					1	
AGG FE	RT/1002+39.03	12'	20'	68'	20'		36						1	
AGG FE	RT/1013+70.97	15'	20'	105'	20'		66						1	
BIT CE	RT/1021+73.10	35'	30'	5'	20'			20						1
CONC PE	LT/1022+11.30	24'	20'	13'	30'								1	
AGG CE	RT/1024+56.23	35'	30'	3'	30'								1	
BIT PE	LT/1034+14.52	24'	20'	20'	20'	119	160	4	18	107			1	1

ENTRANCE SCHEDULE

EXIST SURFACE TYPE	SIDE/STATION	WIDTH	LENGTH		RADIUS	AGGREGATE BASE COURSE TYPE B TON	BITUMINOUS BASE COURSE SUPERPAVE, 8" SQ. YD.	AGGREGATE SURFACE COURSE TYPE B TON	INCID. BIT. SURFACING, N50 SUPERPAVE, N50 TON	P.C.C. DRIVEWAY PAVT		BIT. CONCRETE SURFACE COURSE SUPERPAVE, MIX D, N70 TON	TEMPORARY ACCESS (PE) EACH	TEMPORARY ACCESS (CE) EACH
			6"	8"										
BIT MB	LT/50+16.00	24'	20'	7'	20'									
CONC PE	LT/50+35.00	24'	20'	7'	20'									
AGG PE	RT/50+49.52	24'	15'	-	15'	18			9					
AGG PE	RT/51+28.05	24'	15'	-	15'	18			9					
AGG CE	LT/60+98.00	31'	25'	-	25'		112		13					1
BIT MB	LT/62+26.08	35'	20'	5'	20'	4			2					
CONC CE	LT/62+50.19	35'	20'	5'	20'					117				1
AGG FE	RT/66+35.00	16'	20'	36'	20'					78				1
AGG FE	LT/81+33.05	20'	10'	-	10'				9					1
AGG PE	RT/230+90.56	15'	10'	2.5'	10'	9			4					1
BIT MB	LT/241+07.92	35'	17'	-	17'	6			3					
AGG CE	LT/241+31.00	35'	17'	-	17'		80		9					
AGG CE	RT/241+31.00	35'	17'	-	17'		80		9					
AGG FE	RT/203+00.00	12'	19'	64'	20'				49					1
AGG FE	LT/211+87.45	35'	7'	-	-				7					1
CONC PE	LT/105+81.69	24'	10'	8'	10'					55				1
BIT MB	LT/105+96.86	35'	7'	-	-				3					1
EARTH FE	LT/184+07.92	16'	34'	-	20'/52'	6				21				1

PUBLIC ACCESS	STATION RANGE
IL RTE 32	49+90.00 - 56+03.00
RELOCATED 1700TH AVE	217+00.00 - 231+08.24
LAKE SARA RD	60+00.00 - 64+00.00
1000TH ST	65+00.00 - 70+21.01
STONERIDGE DR	70+00.00 - 71+00.00
1075TH ST	75+00.00 - 76+62.13
RELOCATED NAZARENE RD	79+50.00 - 84+87.47
WEBB ST	240+00.00 - 242+00.00
BRIARWOOD DR	90+00.00 - 92+50.00
LYNN ACRES DR	97+50.00 - 100+00.00
COUNTRY ESTATES RD	105+00.00 - 107+00.00
LEPRECHAUN LANE	110+00.00 - 112+37.28
IRISH HILL RD	120+00.00 - 122+64.46
WABASH RIVER HILLS RD	127+05.43 - 130+00.00
RELOCATED 1200TH ST	200+00.00 - 214+52.15
LAKE RD	150+00.00 - 153+00.00
RELOCATED WOOD BIRD DR	300+00.00 - 310+00.00
FORD AVE	178+79.12 - 189+43.16

① SEE STANDARD 406201 FOR DETAILS. SEE SECTION E-E FOR SIMILAR SECTION.  
② SEE PLAN AND PROFILE SHEET FOR DETAILS. NOTE: QUANTITY INCLUDES LANE.

REVISIONS	
NAME	DATE

ILLINOIS DEPARTMENT OF TRANSPORTATION  
RURAL ENTRANCE  
DETAILS & SCHEDULES  
SHEET 1 OF 2  
DATE 8/02  
DRAWN BY DIST 7  
CHECKED BY BWC

\*DGN-SPEC  
\*DATE