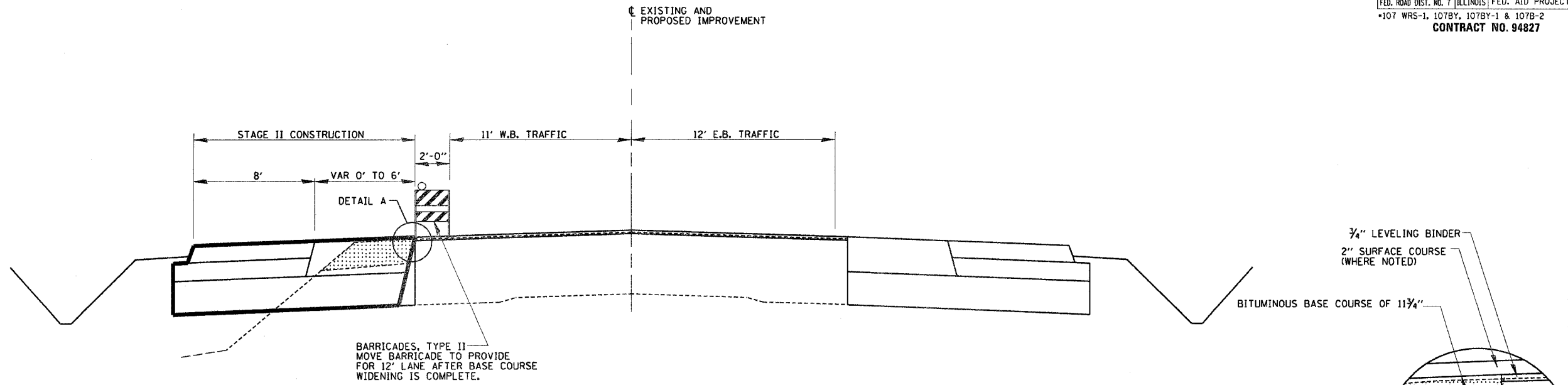
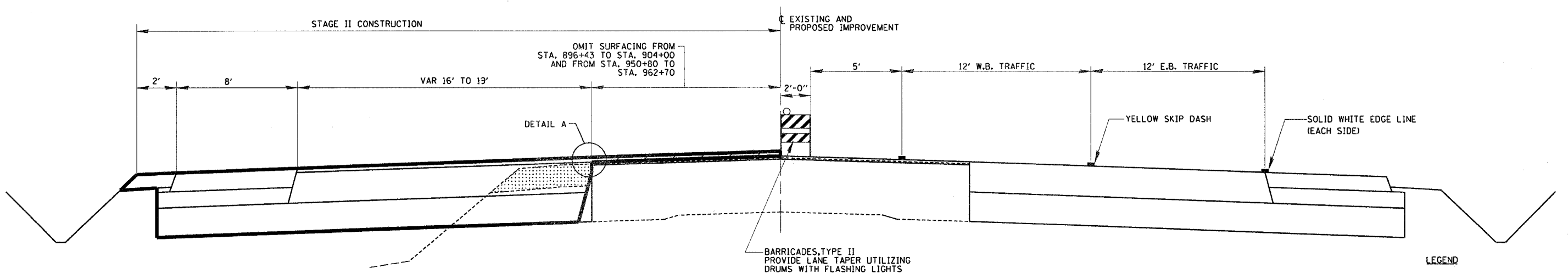
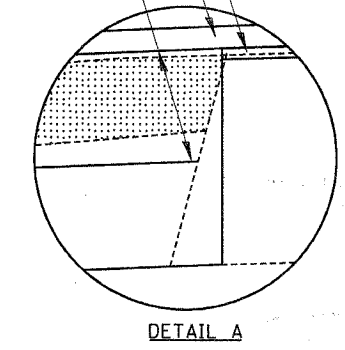


F.A.P. RTE.	SECTION	COUNTY	TOTAL SHEETS	SHEET NO.
774	.	EFFINGHAM	344	51
FED. ROAD DIST. NO. 7 ILLINOIS FED. AID PROJECT				
•107 WRS-1, 107BY, 107BY-1 & 107B-2				
CONTRACT NO. 94827				



PROPOSED TRAFFIC CONTROL TYPICAL SECTION ⑦  
 STA. 541+93.85 TO STA. 896+43



PROPOSED TRAFFIC CONTROL TYPICAL SECTION ⑧  
 STA. 896+43 TO STA. 1007+60  
 STA. 1022+06 TO STA. 1036+00

LEGEND  
 [Solid Line] STAGE II CONSTRUCTION  
 [Dotted Area] STAGE II REMOVAL

REVISIONS	
NAME	DATE

ILLINOIS DEPARTMENT OF TRANSPORTATION  
 TYPICAL SECTIONS  
 STAGE II  
 SHEET 20 OF 32  
 DATE 8/02  
 DRAWN BY MLO  
 CHECKED BY SJK