

STATE OF ILLINOIS
DEPARTMENT OF TRANSPORTATION

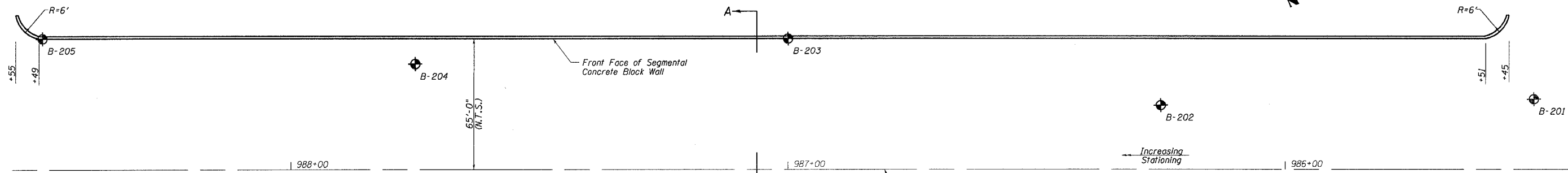
F.A.P. RTE.	SECTION	COUNTY	TOTAL SHEETS	SHEET NO.
774		EFFINGHAM	344	119

SHEET NO. 1
OF 3 SHEETS

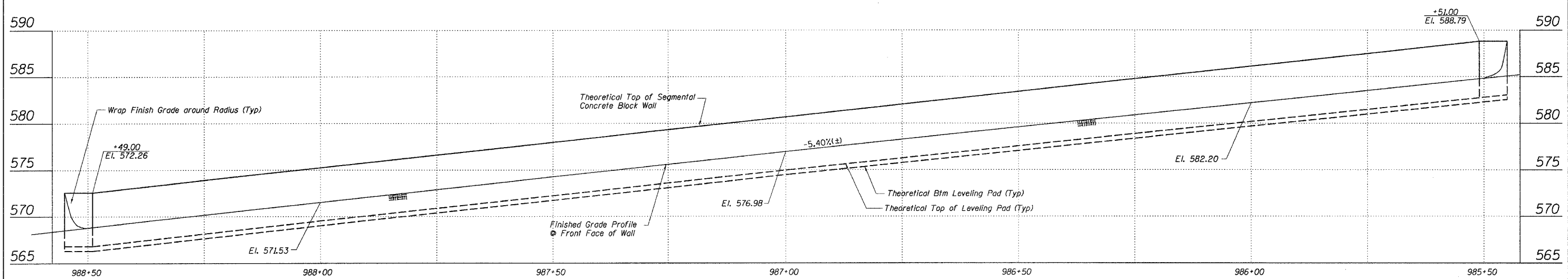
FED. ROAD DIST. NO. 7 ILLINOIS FED. AID PROJECT
CONTRACT NO. 94827
107WRS-1, 107BY, 107BY-1 & 107B-2

Benchmarks:
BM #8: 78' RT, Sta. 981+01, Elev. 600.57
RR Spike in Power Pole
BM #9: 121' RT, Sta. 991+87, Elev. 558.84
Chisled "X" in North Bolt of Fire Hydrant at
Wabash River Hills & IL 32/33

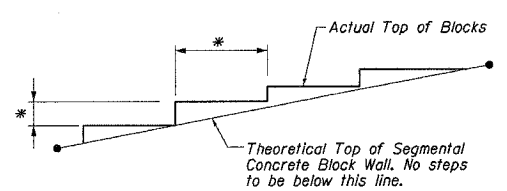
Existing Structure: None
Two lane, two way traffic to be maintained
at all times per Stage Construction Plans.



PLAN

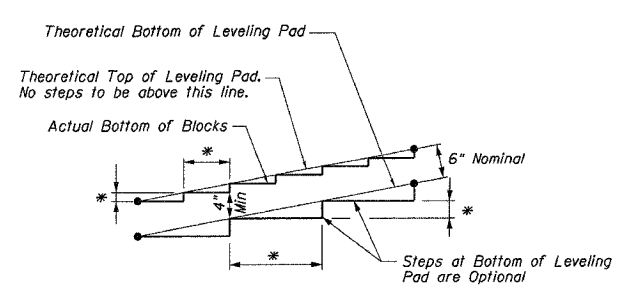


ELEVATION

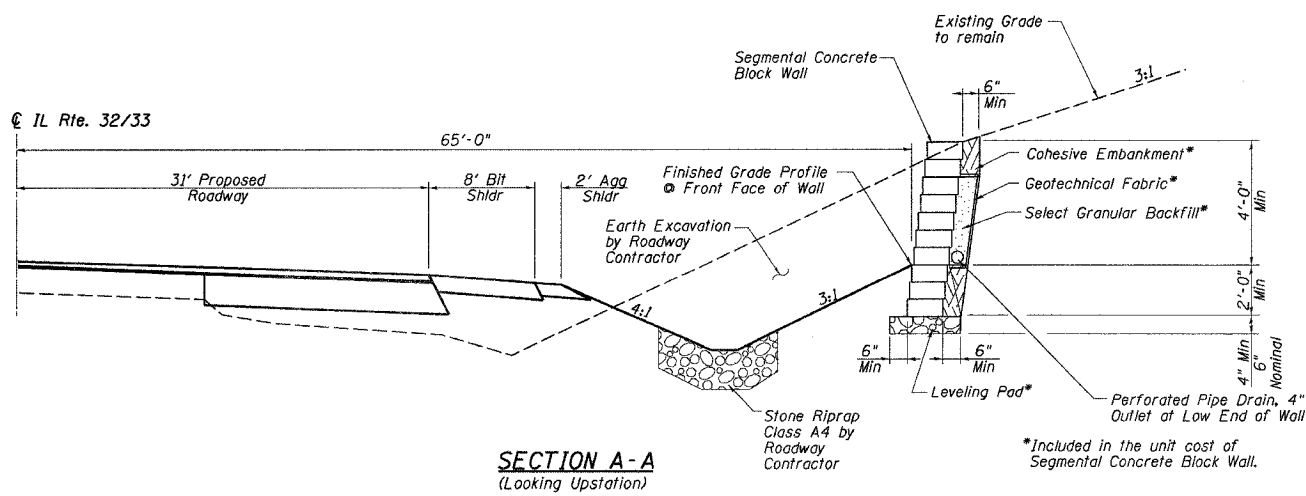


TOP OF WALL DETAIL

* Actual Length, Location & Height of steps to be shown on shop drawings.



BOTTOM OF WALL DETAIL



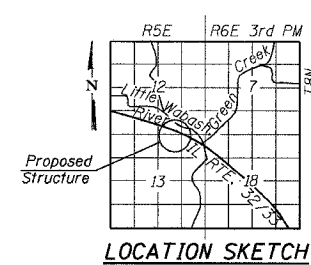
SECTION A-A
(Looking Upstation)

NOTES:

1. Block size, batter, setback and number of courses per Wall Supplier Design. See Special Provisions for additional requirements.
2. Ground Line behind Wall to match Top of Segmental Concrete Block Wall Elevation.
3. See Sheets 2 & 3 of 3 for Soil Borings.
4. See Roadway Cross Sections, Sheets 178 & 179.

TOTAL BILL OF MATERIAL

ITEM	UNIT	QUANTITY
SEGMENTAL CONCRETE BLOCK WALL	50 FT	1901
PIPE DRAINS, 4"	FOOT	320



LOCATION SKETCH

GENERAL PLAN
ILLINOIS ROUTE 32/33
F.A.P. ROUTE 774
SECTION 107 WRS-1, 107BY,
107BY-1 & 107B-2
EFFINGHAM COUNTY
RETAINING WALL
STA. 985+45.00 RT. TO STA. 988+55.00 RT.