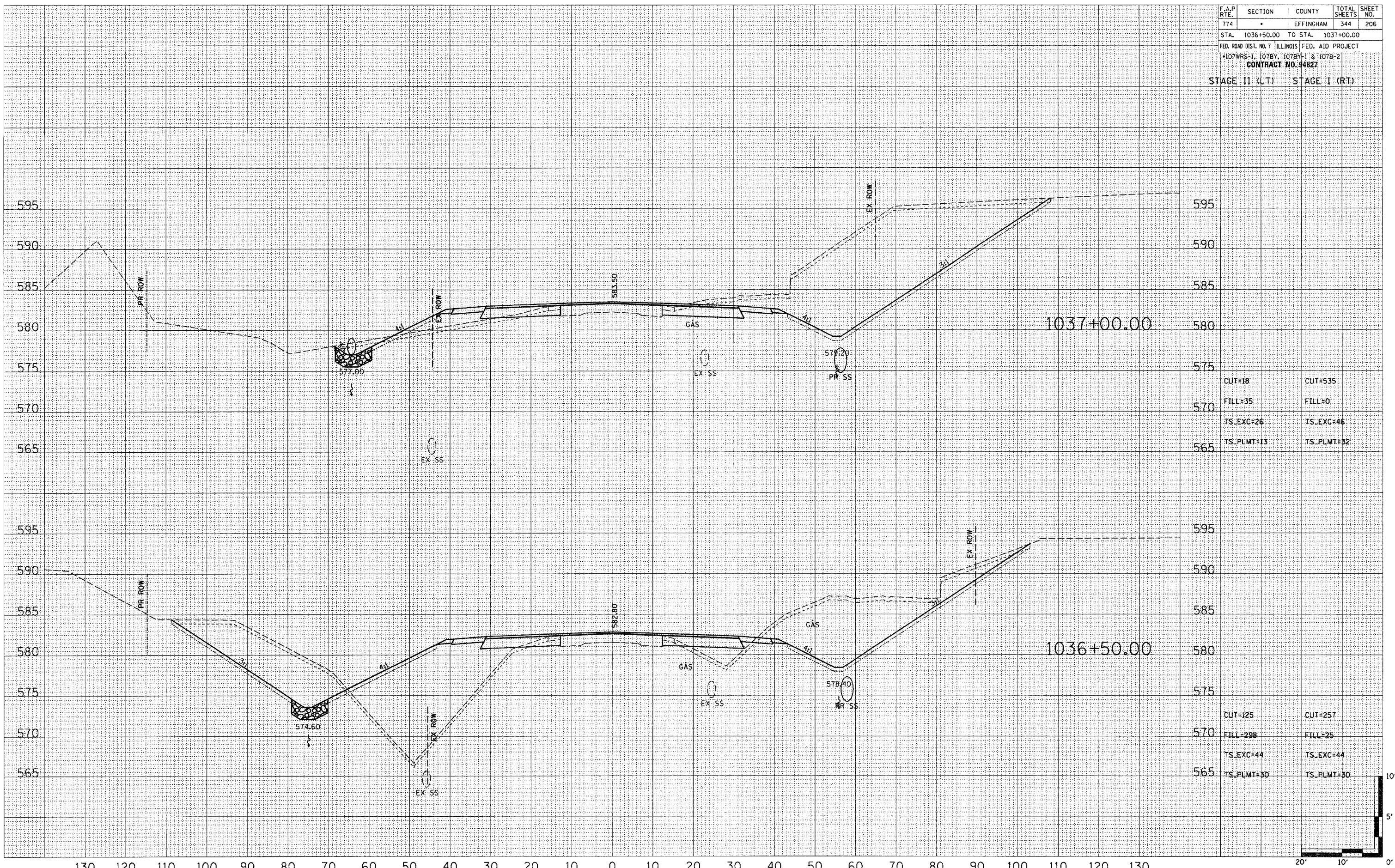


130 120 110 100 90 80 70 60 50 40 30 20 10 0 10 20 30 40 50 60 70 80 90 100 110 120 130

F.A.P. RTE.	SECTION	COUNTY	TOTAL SHEETS	SHEET NO.
774	*	EFFINGHAM	344	206
STA. 1036+50.00 TO STA. 1037+00.00				
FED. ROAD DIST. NO. 7 ILLINOIS FED. AID PROJECT				
*107WRS-1, 107BY, 107BY-1 & 107B-2				
CONTRACT NO. 94827				
STAGE II (LT)			STAGE I (RT)	

BY	DATE
FINAL SURVEY	SURVEYED
NOTE BOOK	PLOTTED
NO.	TEMPLATE
	AREAS CHECKED

BY	DATE
ORIGINAL SURVEY	SURVEYED
NOTE BOOK	PLOTTED
NO.	TEMPLATE
	AREAS CHECKED



CUT=18	CUT=535
FILL=35	FILL=0
TS_EXC=26	TS_EXC=46
TS_PLMT=13	TS_PLMT=52

CUT=125	CUT=257
FILL=298	FILL=25
TS_EXC=44	TS_EXC=44
TS_PLMT=30	TS_PLMT=30

