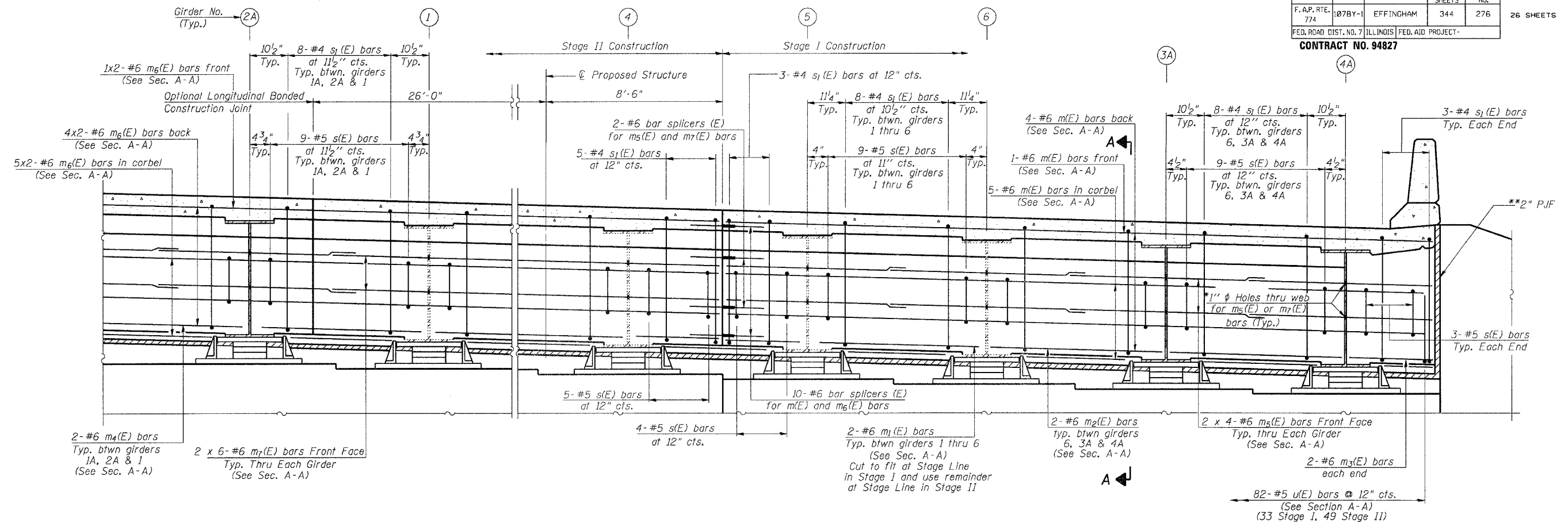
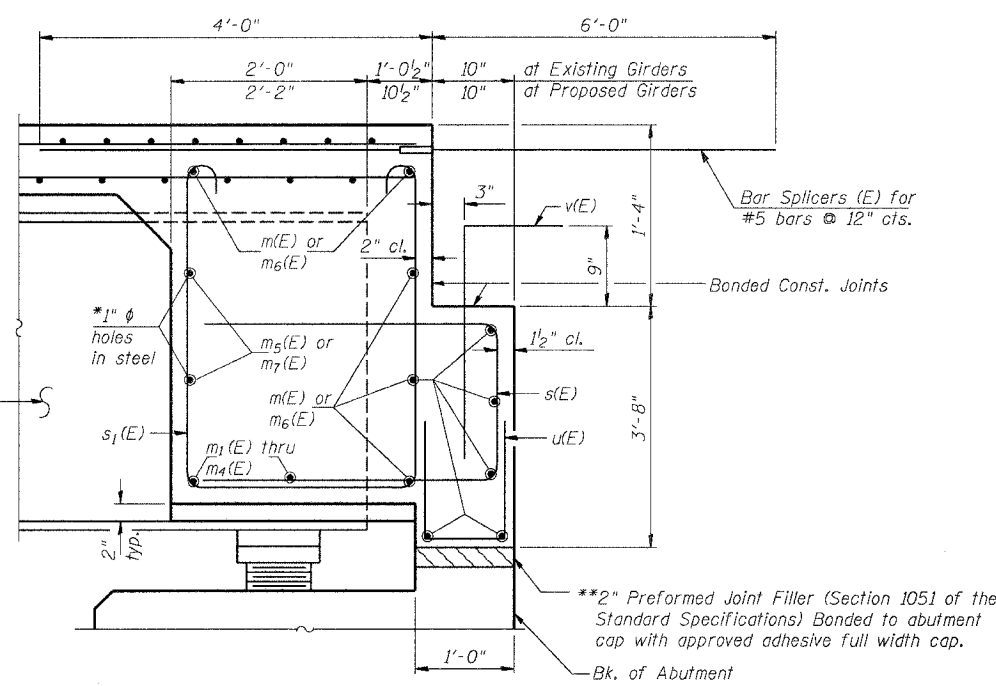
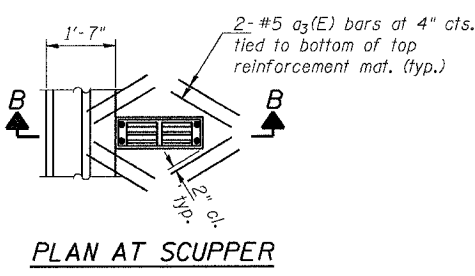
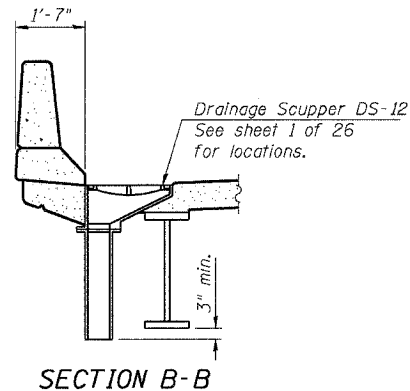


ROUTE NO.	SECTION	COUNTY	TOTAL SHEETS	SHEET NO.	SHEET NO. 10
F.A.P. RTE. 774	107BY-1	EFFINGHAM	344	276	26 SHEETS
FED. ROAD DIST. NO. 7 ILLINOIS FED. AID PROJECT					

CONTRACT NO. 94827



DIAPHRAGM ELEVATION AT E. ABUTMENT
Looking East



*Field drill 1" ϕ holes for $m_5(E)$ or $m_7(E)$ bars in existing girders. Cost of field drilling included with Concrete Superstructure.

NOTES
Reinforcement bars in diaphragm and around scuppers are billed with superstructure on sheet 9 of 26.
Concrete in end diaphragm is included with Concrete Superstructure on sheet 9 of 26.
For details of bars $s(E)$, $s(E)$ & $u(E)$ see sheet 9 of 26.
For anchor bolt details see sheet 15 of 26.
Reinforcement bars designated (E) shall be epoxy coated.
Bars indicated thus 1 X 2-#5 etc. indicates 1 line of bars with 2 lengths per line.
See Sheet 24 of 26 for Bar Splicer details.
See Section thru Abutment on Sheet 2 Of 26 for back of abutment treatment.

MIN. BAR LAP
#6 bar = 2'-9"

SHEET TITLE	
DIAPHRAGM AND DRAINAGE SCUPPER DETAILS	
PROJECT	IL RTE. 32/33 OVER LITTLE WABASH RIVER OVERFLOW F.A.P. RTE. 774 SECTION 107BY-1 EFFINGHAM COUNTY STATION 1018+86.92 STRUCTURE NO. 025-0077
PROJECT NO.	02017
SCALE	
DATE	
DRAWN BY	TFG
CHECKED BY	KFS/CME/MCB
DRAWING NO.	
COOMBE-BLOXDORF P.C. Engineers / Land Surveyors Springfield, Illinois Design Firm License No. 184-002703	
	10
	OF 26 SHTS