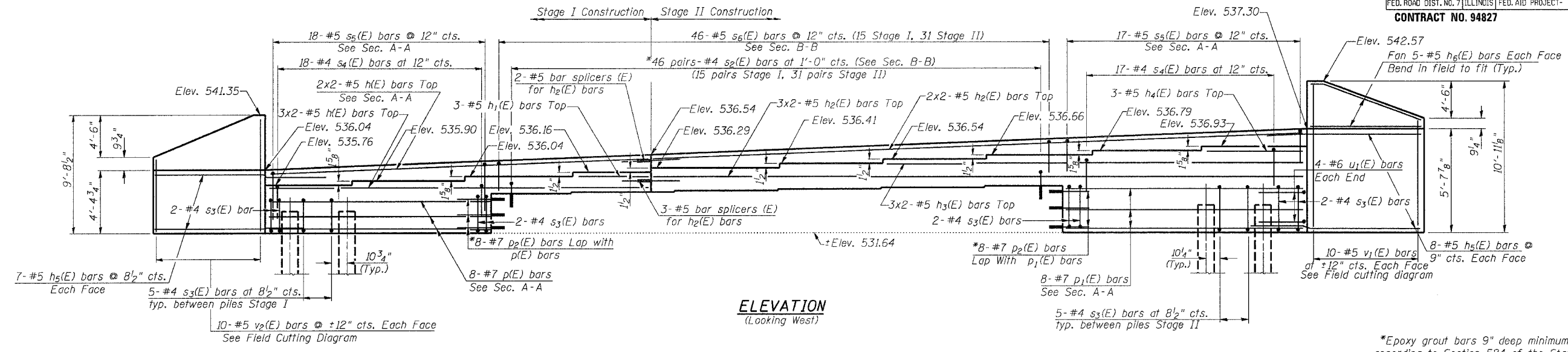


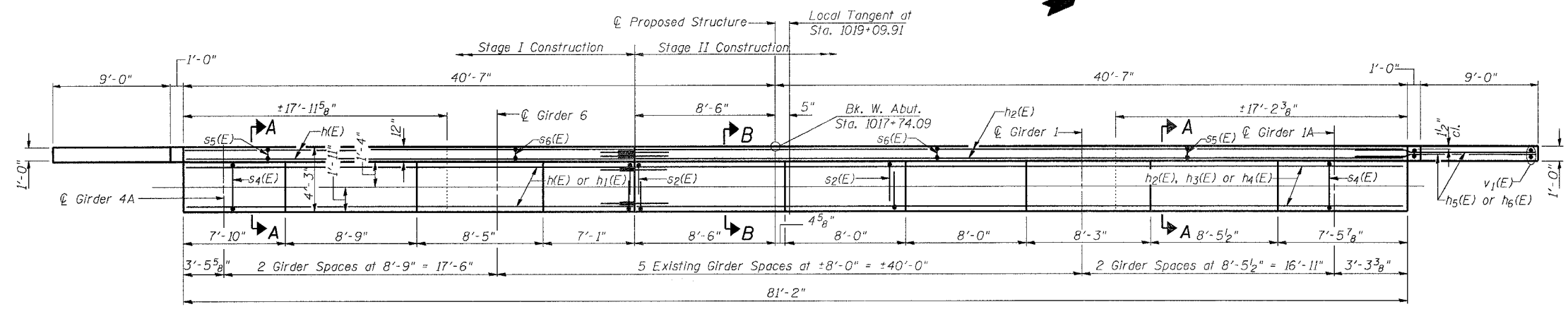
ROUTE NO.	SECTION	COUNTY	TOTAL SHEETS	SHEET NO.	SHEET NO. 18 26 SHEETS
F.A.P. RTE. 774	107BY-1	EFFINGHAM	344	284	
FED. ROAD DIST. NO. 7 ILLINOIS FED. AID PROJECT-					

CONTRACT NO. 94827



**ELEVATION**  
(Looking West)

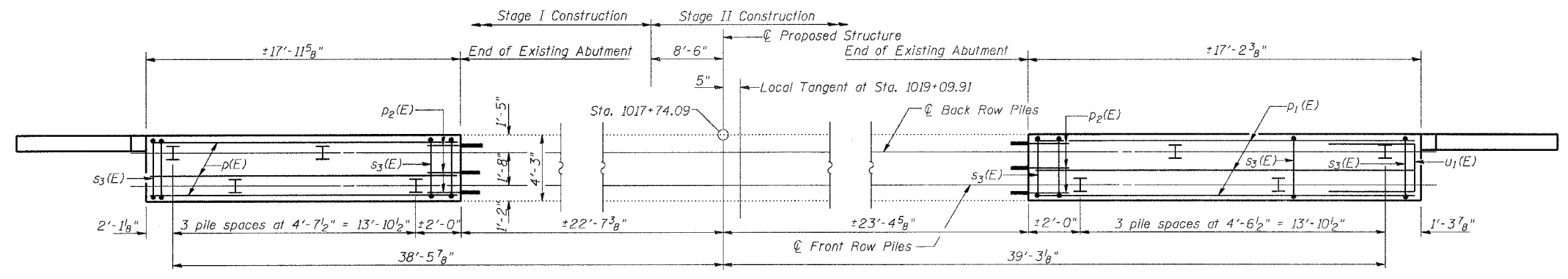
\*Epoxy grout bars 9" deep minimum drilled holes according to Section 584 of the Standard Specifications. The grout and method of application shall be approved by the Engineer. Space p<sub>2</sub>(E) bars to miss existing reinforcement.



**PLAN**

**PILE DATA**  
Type : HP10 x 57  
Capacity : Driven to Refusal  
Length : 24'  
No Req'd. : 7 + 1 test pile

**Min. Bar Lap**  
#5 bars = 1'-8"



**PLAN PILE CAP**  
Existing piles not shown

Work this sheet with sheet 20 of 26.

SHEET TITLE		WEST ABUTMENT	
PROJECT	IL RTE. 32/33 OVER LITTLE WABASH RIVER OVERFLOW F.A.P. RTE. 774 SECTION 107BY-1 EFFINGHAM COUNTY STATION 1018+86.92 STRUCTURE NO. 025-0077	PROJECT NO.	02017
DRAWN BY	TFG	CHECKED BY	KPS/CME/MCB
COOMBE-BLOXDORF P.C. Engineers / Land Surveyors Springfield, Illinois Design Firm License No. 184-002703		18 OF 26 SHTS	

west-abut-proposed