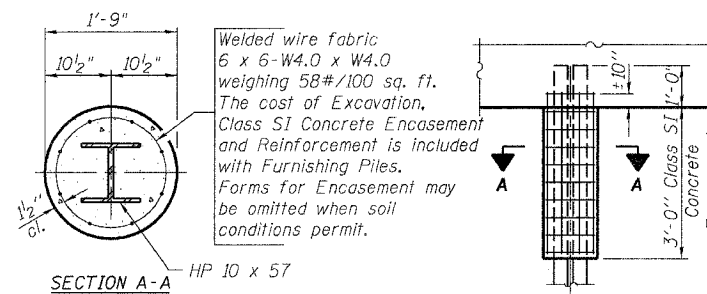
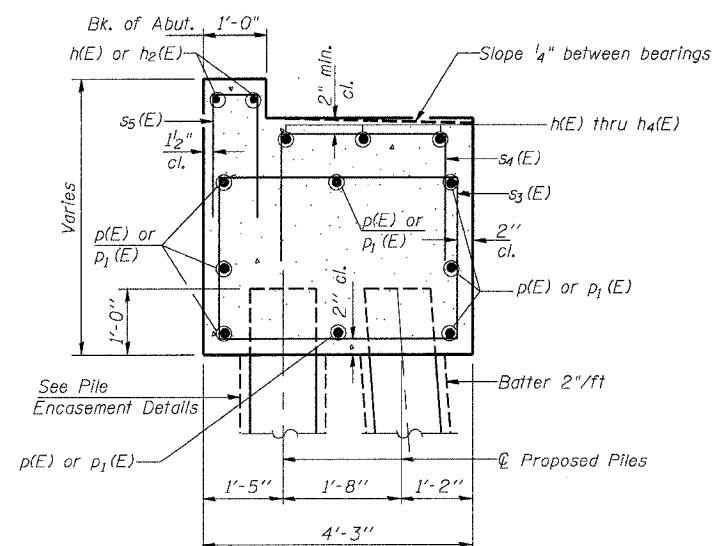


BILL OF MATERIAL 2-ABUTS.

Bar	No.	Size	Length	Shape
$h(E)$	20	#5	16'-9"	—
$h_1(E)$	6	#5	6'-9"	—
$h_2(E)$	20	#5	25'-3"	—
$h_3(E)$	12	#5	16'-9"	—
$h_4(E)$	6	#5	7'-1"	—
$h_5(E)$	60	#5	12'-2"	—
$h_6(E)$	40	#5	9'-8"	—
$p(E)$	16	#7	17'-7"	—
$p_1(E)$	16	#7	16'-10"	—
$p_2(E)$	32	#7	5'-9"	—
$s_2(E)$	184	#4	3'-9"	□
$s_3(E)$	76	#4	14'-11"	□
$s_4(E)$	70	#4	5'-5"	□
$s_5(E)$	70	#5	6'-1"	□
$s_6(E)$	92	#5	2'-3"	□
$u_1(E)$	16	#6	9'-0"	□
$v_1(E)$	20	#5	16'-8"	—
$v_2(E)$	20	#5	14'-4"	—
* Structure Excavation			Cu. Yd.	310
Concrete Structures			Cu. Yd.	79.9
Reinforcement Bars Epoxy Coated			Lbs.	6830
Furnishing Steel Piles HP10x57			Ft.	294
Driving Steel Piles HP10x57			Ft.	294
Test Piles Steel HP10x57			Each	2
Bar Splicers			Each	10

Reinforcement bars designated (E) shall be epoxy coated.
*Structure Excavation = 155 Cu. Yd. per Abutment.



Work this sheet with sheets 18 & 19 of 26.

SHEET TITLE		
ABUTMENT DETAILS		
PROJECT	IL RTE. 32/33 OVER LITTLE WABASH RIVER OVERFLOW F.A.P. RTE. 774 SECTION 107BY-1 EFFINGHAM COUNTY STATION 1018+86.92 STRUCTURE NO. 025-0077	PROJECT NO. 02017
SCALE		DATE
DRAWN BY	TFC	CHECKED BY
		KFS/CME/MCB
COOMBE-BLOXDORF P.C. Engineers/Land Surveyors Springfield, Illinois Design Firm License No. 184-002703		20
		OF 26 SHTS