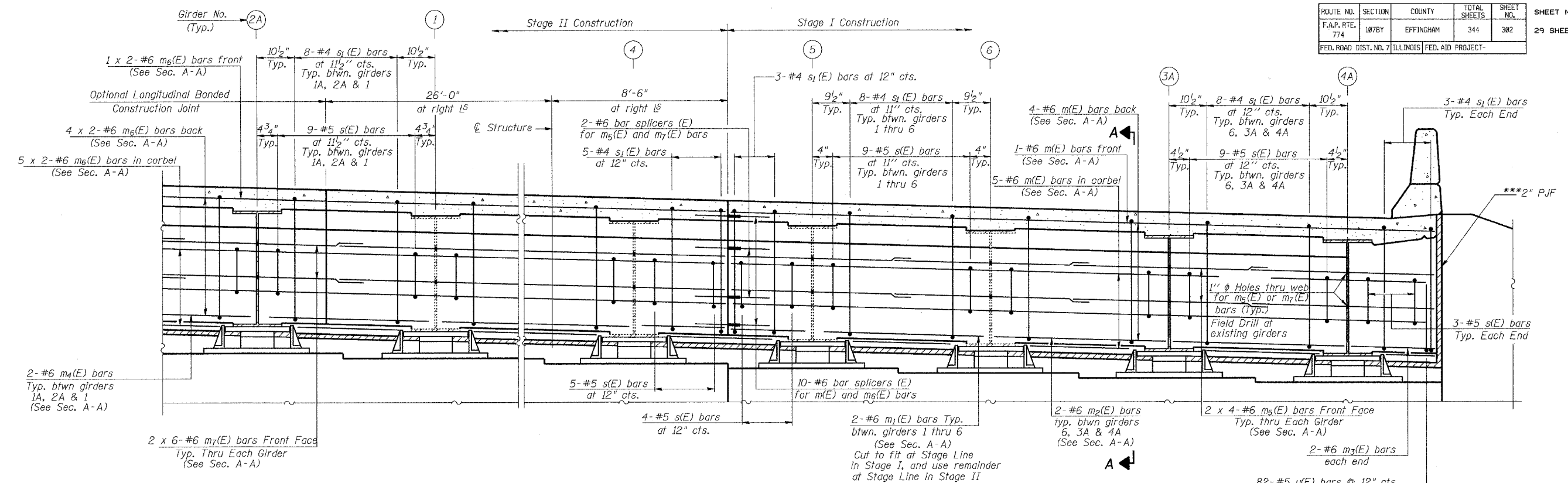
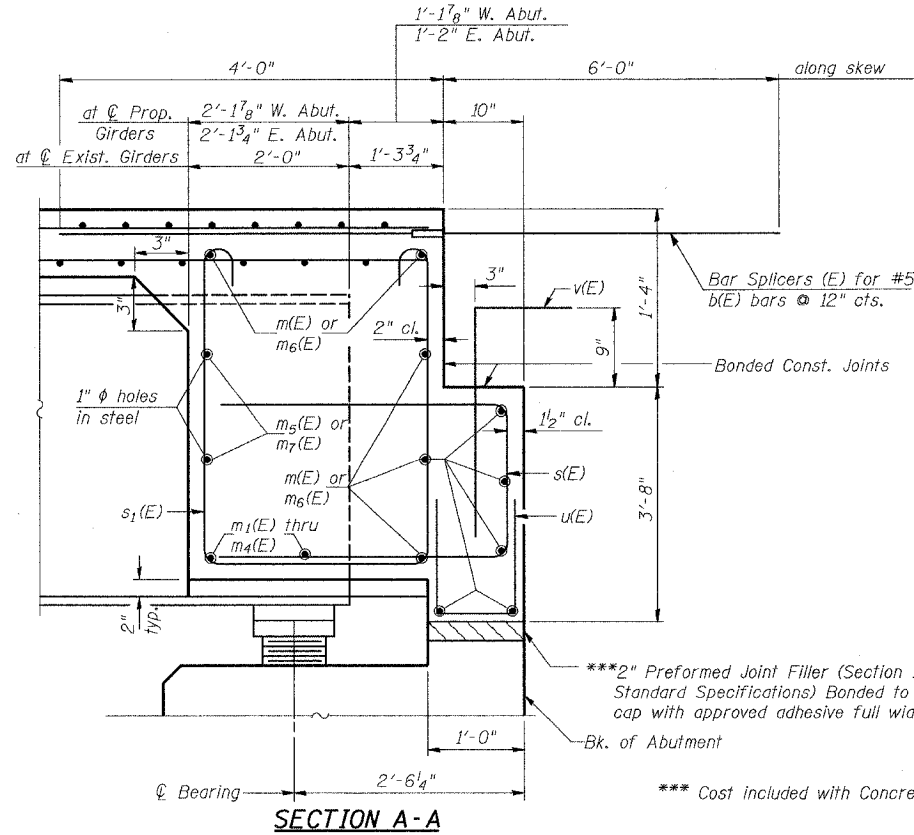
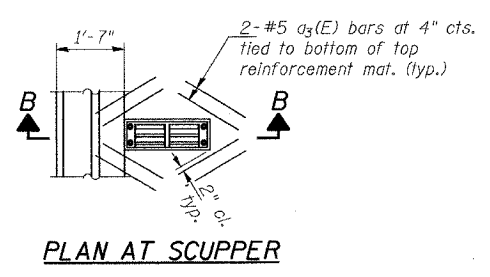
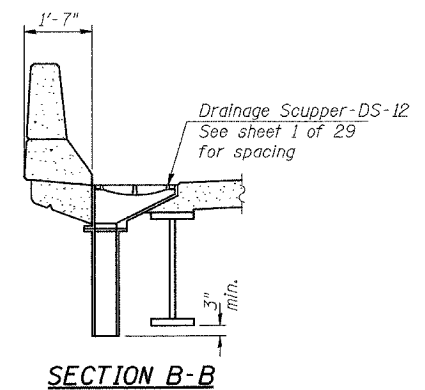


ROUTE NO.	SECTION	COUNTY	TOTAL SHEETS	SHEET NO.	SHEET NO. 10
F.A.P. RTE. 774	107BY	EFFINGHAM	344	302	29 SHEETS
FED. ROAD DIST. NO. 7 ILLINOIS FED. AID PROJECT-					



DIAPHRAGM ELEVATION AT ABUTMENT
(Looking East)



SECTION A-A
Dimensions at right angles to abutment, except as shown.
(Diaphragms not shown)

NOTES

Cost for Field drilling of 1" ϕ holes for $m_5(E)$ or $m_7(E)$ bars shall be included with Concrete Superstructure. Reinforcement bars in diaphragm and around scuppers are billed with superstructure on sheet 9 of 29. Concrete in end diaphragms is included with Concrete Superstructure on sheet 9 of 29. For details of bars $s(E)$, $s_1(E)$ & $u(E)$ see sheet 9 of 29. The $s(E)$, $s_1(E)$ & $u(E)$ bars shall be placed parallel to the beams. Spacing for these bars shall be at right angles to the beams. For anchor bolt details see sheet 16 of 29. Reinforcement bars designated (E) shall be epoxy coated. Bars indicated thus 1 x 2-#5 etc. indicates 1 line of bars with 2 lengths per line. See sheet 26 of 29 for bar splicer details. See Section thru abutment on sheet 2 of 29 for back of abutment treatment.

MIN. BAR LAP
#6 bar = 2'-9"

SHEET TITLE		PROJECT NO.	
DIAPHRAGM AND DRAINAGE SCUPPER DETAILS		02017	
PROJECT		SCALE	
IL RTE. 32/33 OVER LITTLE WABASH RIVER			
F.A.P. RTE. 774 SECTION 107BY		DATE	
EFFINGHAM COUNTY		DRAWN BY	
STATION 1011+50.17		TFG	
STRUCTURE NO. 025-0078		CHECKED BY	
		GJB/MCB	
DRAWING NO.		DATE	
COOMBE-BLOXDORF P.C.		10	
Engineers / Land Surveyors		OF 29 SHTS	
Springfield, Illinois			
Design Firm License No. 184-002703			

diaphragm-details