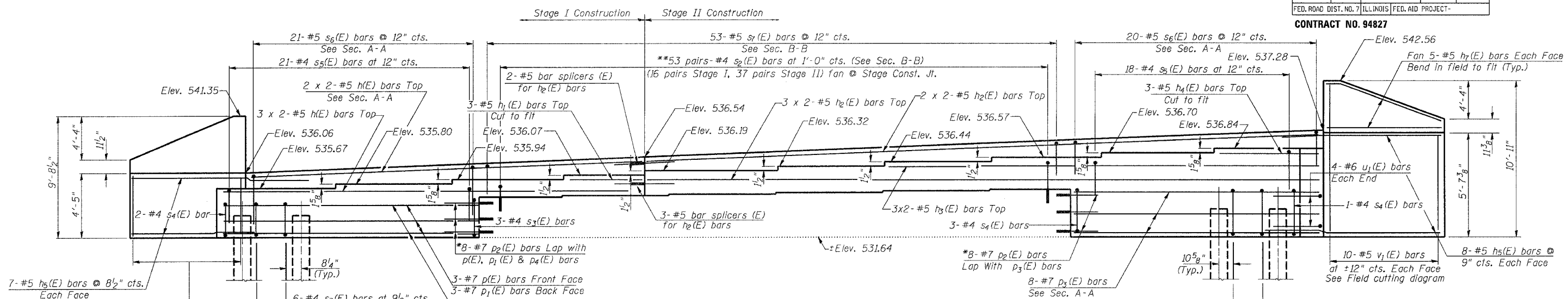


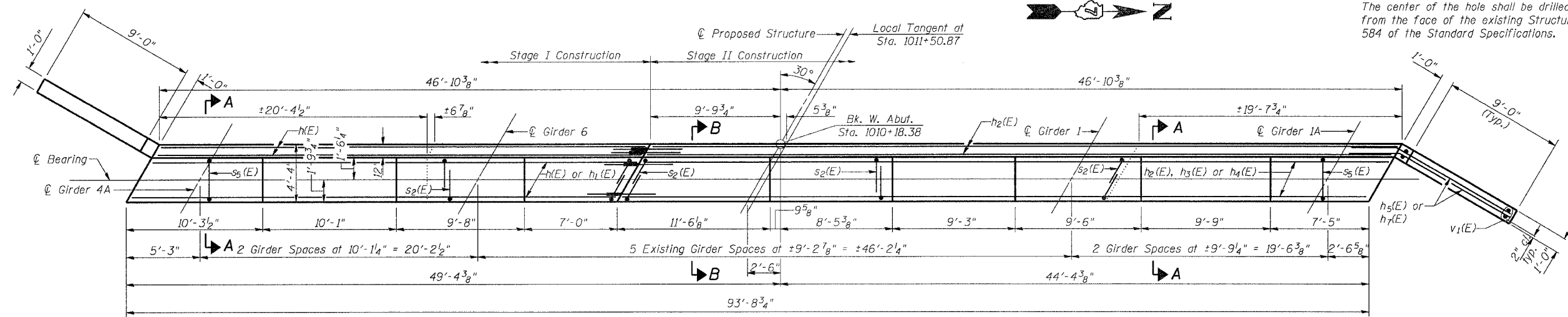
ROUTE NO.	SECTION	COUNTY	TOTAL SHEETS	SHEET NO.	SHEET NO. 18
F.A.P. RTE. 774	107BY	EFFINGHAM	344	310	29 SHEETS
FED. ROAD DIST. NO. 7 ILLINOIS FED. AID PROJECT-					

CONTRACT NO. 94827



ELEVATION
(Looking West)

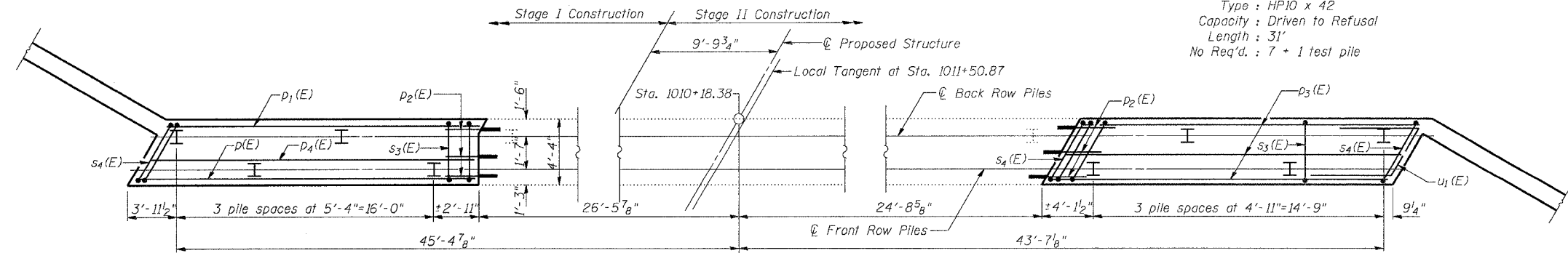
*Epoxy grout $p_2(E)$ bars into $1\frac{1}{8}$ " ϕ x 9" drilled holes. The center of the hole shall be drilled a minimum of 4" from the face of the existing Structure. See Section 584 of the Standard Specifications.
**Epoxy grout $s_2(E)$ bars into $3\frac{1}{4}$ " ϕ x 9" drilled holes. The center of the hole shall be drilled a minimum of 4" from the face of the existing Structure. See Section 584 of the Standard Specifications.



PLAN

PILE DATA
Type : HP10 x 42
Capacity : Driven to Refusal
Length : 31'
No Req'd. : 7 + 1 test pile

Min. Bar Lap
#5 bars = 1'-8"



PLAN PILE CAP

Work this sheet with sheet 19 of 29.

SHEET TITLE		WEST ABUTMENT	
PROJECT	IL RTE. 32/33 OVER LITTLE WABASH RIVER	PROJECT NO.	02017
	F.A.P. RTE. 774 SECTION 107BY	DATE	
	EFFINGHAM COUNTY	DRAWN BY	TFG
	STATION 1011+50.17	CHECKED BY	GJB/MCB
	STRUCTURE NO. 025-0078	DRAWING NO.	
COOMBE-BLOXDORF P.C.		18	
Engineers / Land Surveyors		OF 29 SHTS	
Springfield, Illinois			
Design Firm License No. 184-002703			

west-abut-proposed