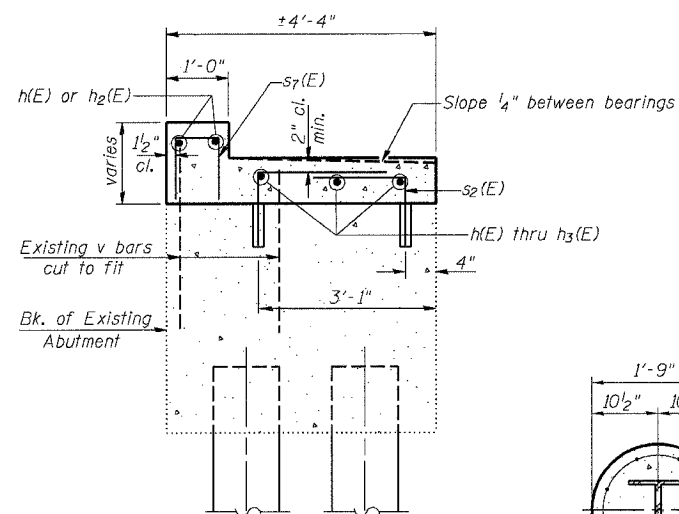


CONTRACT NO. 94827

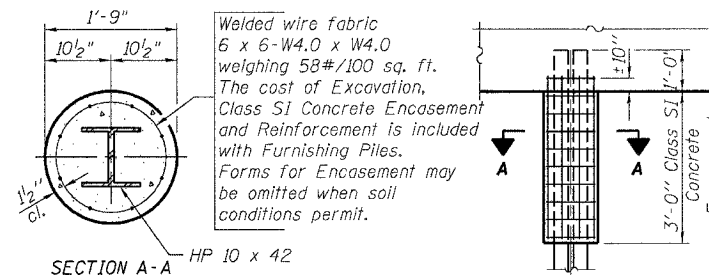
BILL OF MATERIAL

Bar	No.	Size	Length	Shape
h(E)	10	#5	19'-3"	—
h ₁ (E)	3	#5	8'-4"	—
h ₂ (E)	10	#5	29'-0"	—
h ₃ (E)	6	#5	19'-7"	—
h ₄ (E)	3	#5	8'-10"	—
h ₅ (E)	30	#5	12'-2"	—
h ₇ (E)	20	#5	9'-8"	—
p(E)	3	#7	22'-6"	—
p ₁ (E)	3	#7	20'-0"	—
p ₂ (E)	16	#7	5'-9"	—
p ₃ (E)	8	#7	19'-4"	—
p ₄ (E)	2	#7	21'-3"	—
s ₂ (E)	106	#4	3'-9"	□
s ₃ (E)	36	#4	15'-1"	□
s ₄ (E)	6	#4	16'-4"	□
s ₅ (E)	39	#4	5'-8"	□
s ₆ (E)	41	#5	6'-1"	□
s ₇ (E)	53	#5	2'-5"	□
u ₁ (E)	8	#6	9'-8"	—
v ₁ (E)	10	#5	16'-10"	—
v ₂ (E)	10	#5	14'-4"	—
Structure Excavation	Cu. Yd.		18.3	
Concrete Structures	Cu. Yd.		44.7	
Reinforcement Bars Epoxy Coated	Lbs.		3790	
Furnishing Steel Piles HP10x42	Ft.		217	
Driving Steel Piles	Ft.		217	
Test Piles Steel HP10x42	Each		1	
Bar Splicers	Each		5	

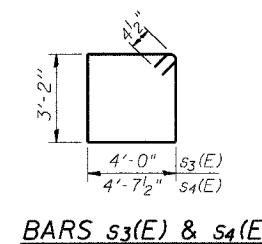
Reinforcement bars designated (E) shall be epoxy coated.



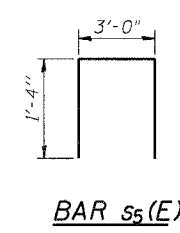
SECTION B-B



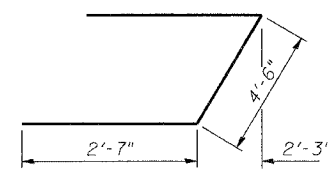
PILE ENCASEMENT DETAIL



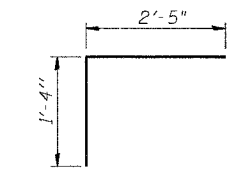
BARS s₃(E) & s₄(E)



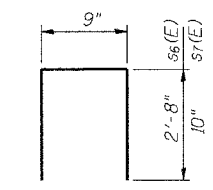
BAR s₅(E)



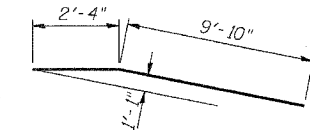
BAR u₁(E)



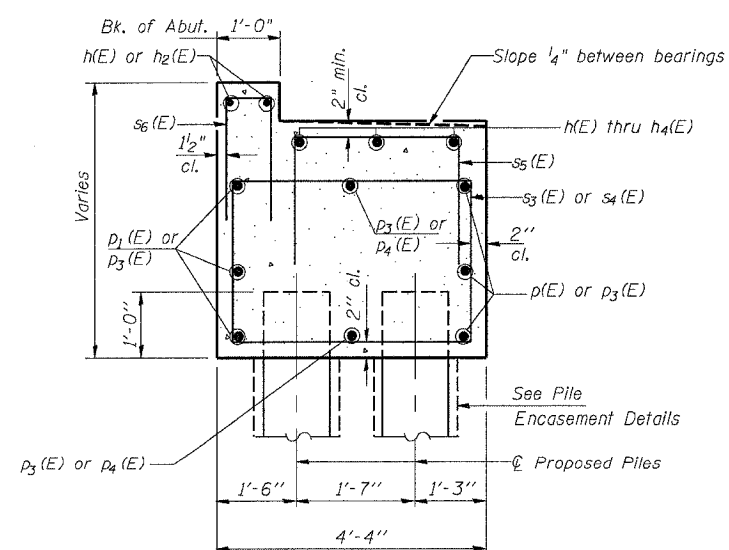
BAR s₂(E)



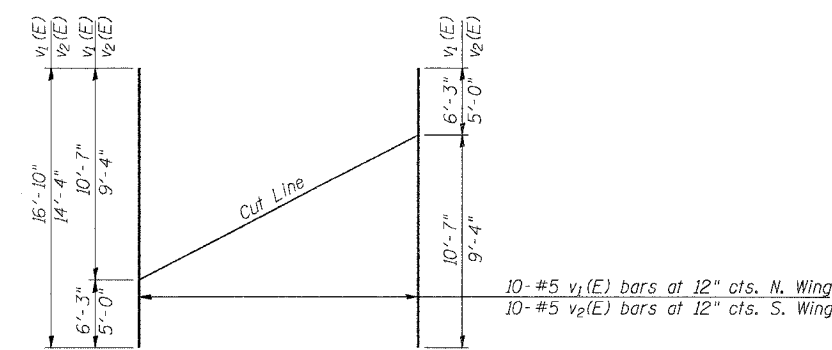
BARS s₆(E) & s₇(E)



BAR h₅(E)



SECTION A-A



FIELD CUTTING DIAGRAM

Order v₁(E) and v₂(E) bars full length. Cut as shown and use remainder of bars in opposite face.

Work this sheet with sheet 18 of 29.

SHEET TITLE		
WEST ABUTMENT DETAILS		
PROJECT	PROJECT NO.	DATE
IL RTE. 32/33 OVER LITTLE WABASH RIVER	02017	
F.A.P. RTE. 774 SECTION 107BY	SCALE	
EFFINGHAM COUNTY		
STATION 1011+50.17	DRAWN BY	TFG
STRUCTURE NO. 025-0078	CHECKED BY	GJB/MCB
COOMBE-BLOXDORF P.C.		DRAWING NO.
Engineers / Land Surveyors		19
Springfield, Illinois		OF 29 SHTS
Design Firm License No. 184-002703		