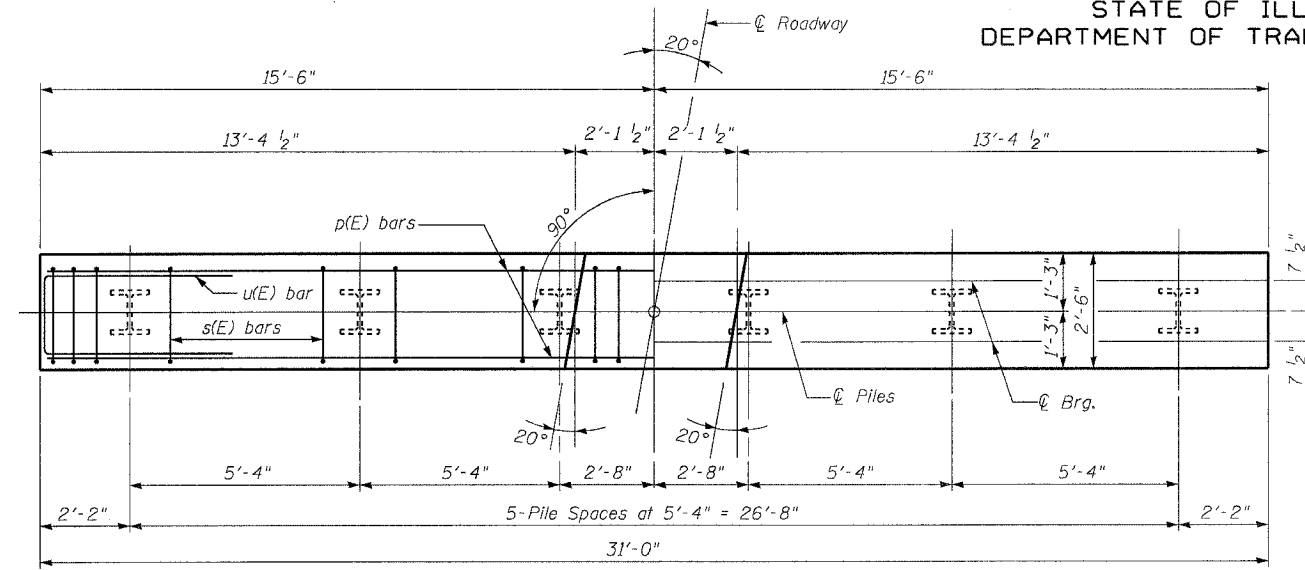


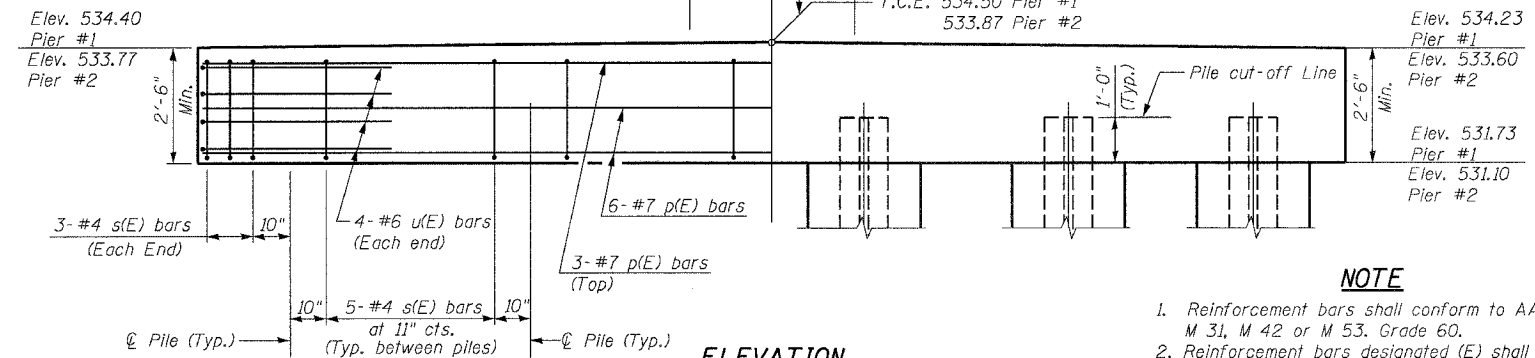
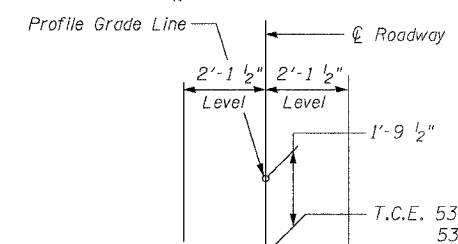
STATE OF ILLINOIS
DEPARTMENT OF TRANSPORTATION

ROUTE NO.	SECTION	COUNTY	DATE	DATE	SHEET NO. 6
FAP 774	107B-2	EFFINGHAM	344	327	8 SHEETS
FED. ROAD DIST. NO. 7	ILLINOIS	FED. AID PROJECT-			

CONTRACT NO. 94827



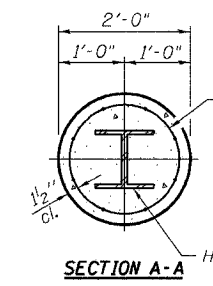
PLAN



ELEVATION
(Pier #1 Looking North)
(Pier #2 Looking North)
T.C.E. = Top of Cap Elevation

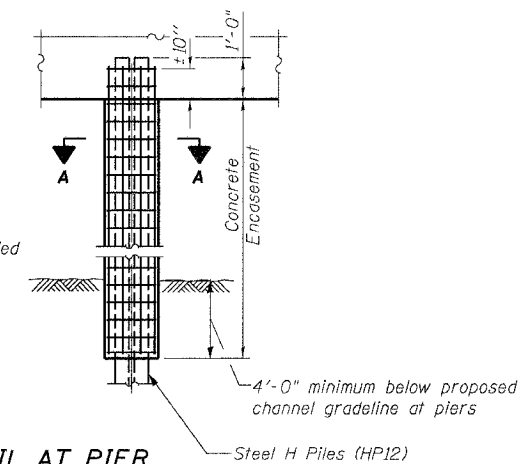
NOTE

1. Reinforcement bars shall conform to AASHTO M 31, M 42 or M 53, Grade 60.
2. Reinforcement bars designated (E) shall be epoxy coated.

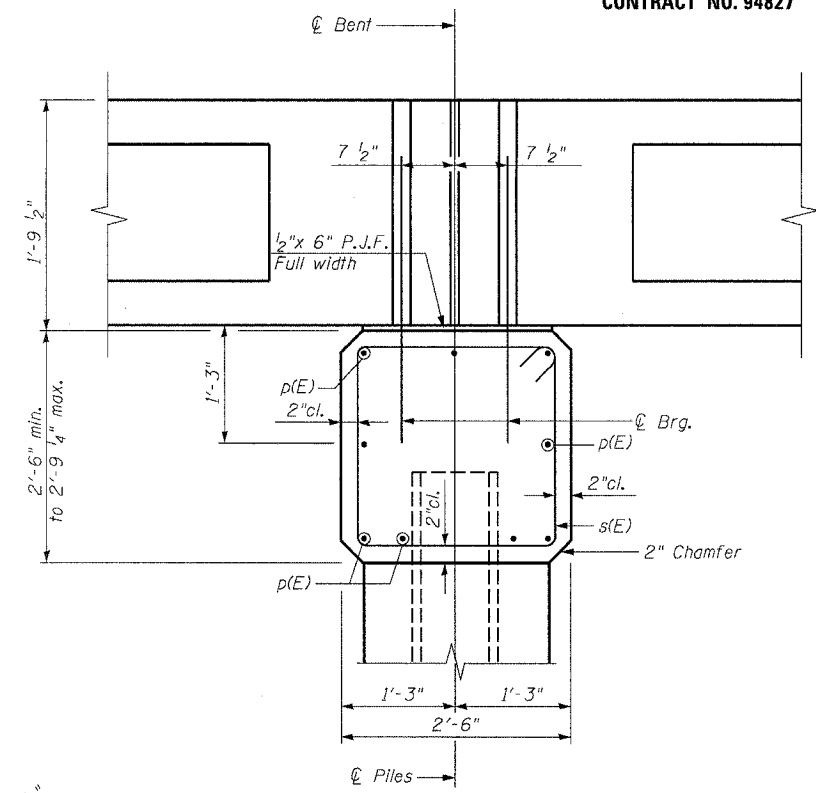


SECTION A-A

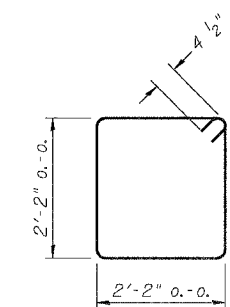
Welded wire fabric
6 x 6-W4.0 x W4.0
weighing 58#/100 sq. ft.
The cost of Excavation,
Concrete Encasement
and Reinforcement is included
with Concrete Encasement
Forms for Encasement may
be omitted when soil
conditions permit.



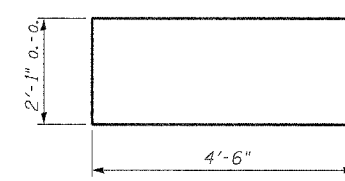
PILE ENCASEMENT DETAIL AT PIER



SECTION THRU PIER
(At Right Angles)



BAR s(E)



BAR u(E)

BILL OF MATERIAL
FOR ONE PIER

Bar	No.	Size	Length	Shape	
p(E)	9	#7	30'-8"	—	
s(E)	31	#4	9'-5"	□	
u(E)	8	#6	11'-1"	—	
Concrete Structures				Cu. Yd.	7.7
Reinforcement Bars, Epoxy Coated				Pound	892
Furnishing Steel Piles HP12x53				Foot	187
Driving Steel Piles				Foot	187
*Test Pile Steel HP12x53				Each	1
Concrete Encasement				Cu. Yd.	13.95
Underwater Structure Excavation Protection Location 1				Each	1
Underwater Structure Excavation Protection Location 2				Each	1

*At Pier #1 only

PILE DATA (2-PIERS)

Type	HP12x53
Capacity	Driven to Refusal
Estimated Length	34 Feet
Number Required	11
Test Pile	1 In Pier #1

PILE BENT PIER
1200th STREET OVER GREEN CREEK
FAP RTE. 774, SECTION 107B-2
EFFINGHAM COUNTY
STATION 204+33.91
S.N. 025-3309

DESIGNED	TMM
CHECKED	KCM
DRAWN	CAR
CHECKED	TMM