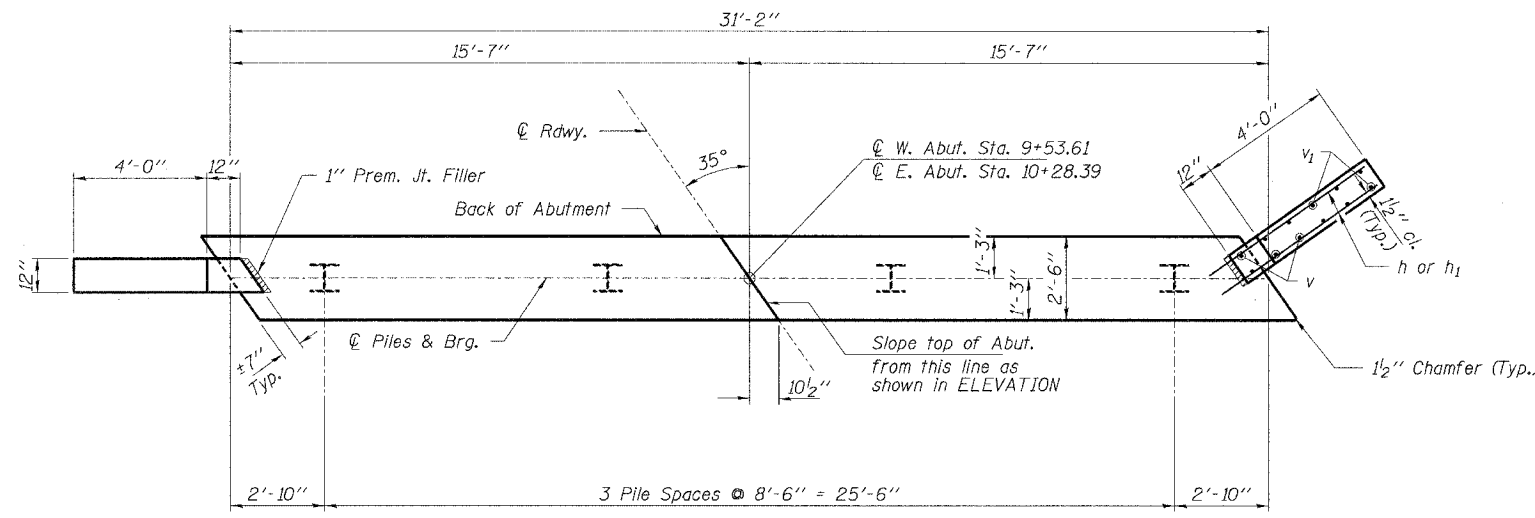
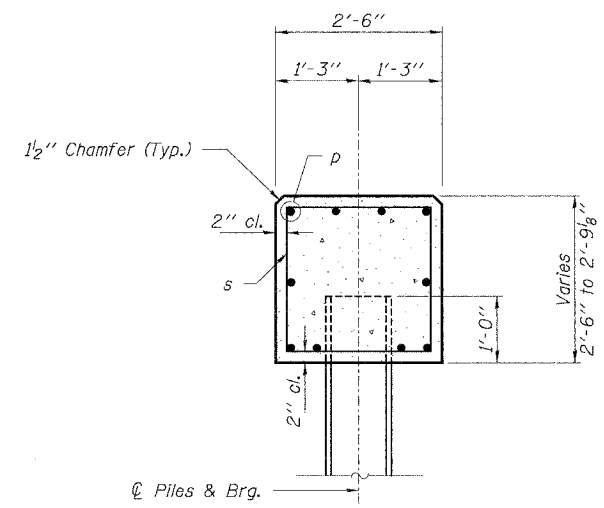


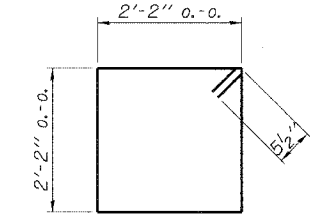
CONTRACT NO. 95415



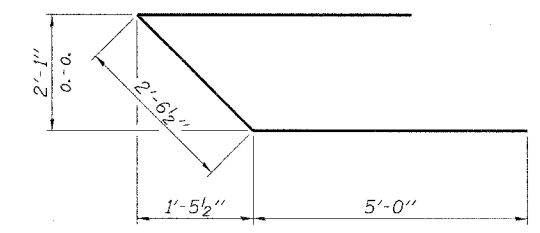
PLAN



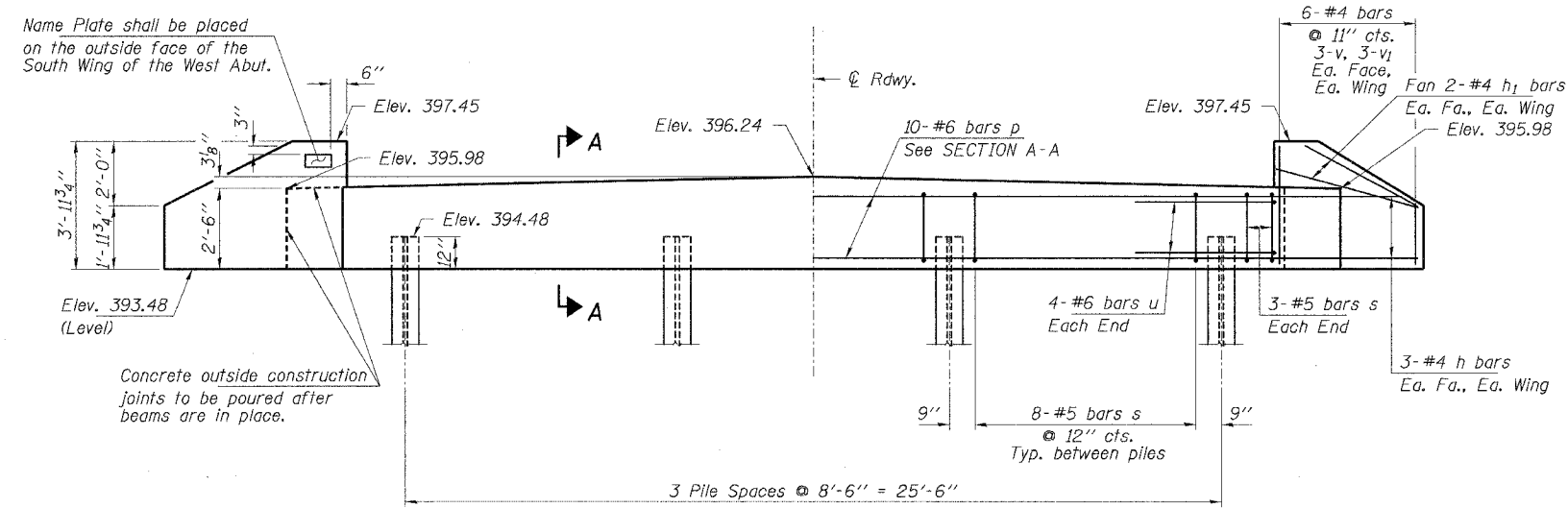
SECTION A-A



BAR s



BAR u



ELEVATION

Note: Extend h bars into abut. cap.

BILL OF MATERIAL - 2 ABUTS.

BAR	NO.	SIZE	LENGTH	SHAPE
h	24	#4	5'-9"	—
h ₁	16	#4	4'-9"	—
p	20	#6	30'-10"	—
s	60	#5	9'-7"	□
u	16	#6	12'-7"	—
v	24	#4	3'-3"	—
v ₁	24	#4	1'-9"	—
Concrete Structures			Cu. Yd.	17.4
Reinforcement Bars			Pound	2,050
Steel Piles HP10x42			Foot	175
Test Pile Steel HP10x42			Each	1
Name Plates			Each	1

PILE DATA

Type Steel HP10x42
 No. Req'd. (2 Abut.) 8
 Capacity 21 Tons/Pile
 Est. Length 25 Feet/Pile

* Includes one test pile to be driven in a permanent location at the East Abutment.

HLR
 Rice, Berry and Associates
 A Division of Hampton, Lenzi and Renwick, Inc.
 Civil & Structural Engineers
 801 S. Durkin Drive
 Springfield, Illinois 62704
 217-546-3400
 P.O. Box 1036
 DuQuoin, Illinois 62832
 618-790-4637
 Account Number 12-97-0005-1
 Date: 09/30/04
 DESIGNED: S.W.M. CHECKED: M.G.B. DRAWN: D.T.M.

ABUTMENTS
 SECTION 98-16119-00-BR
 MASSILON ROAD DISTRICT
 WAYNE COUNTY
 STATION 9+91