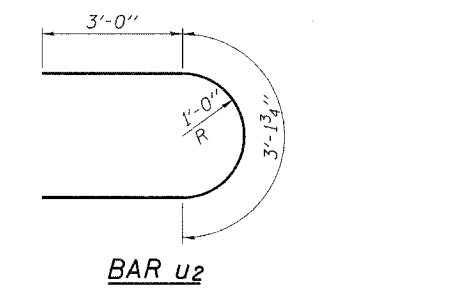
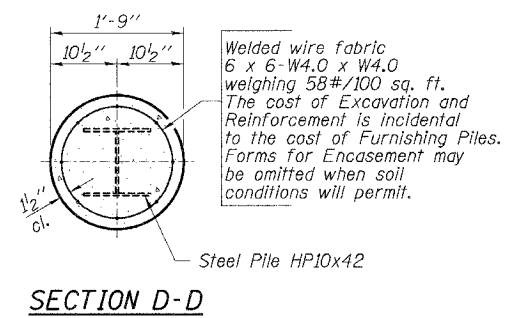
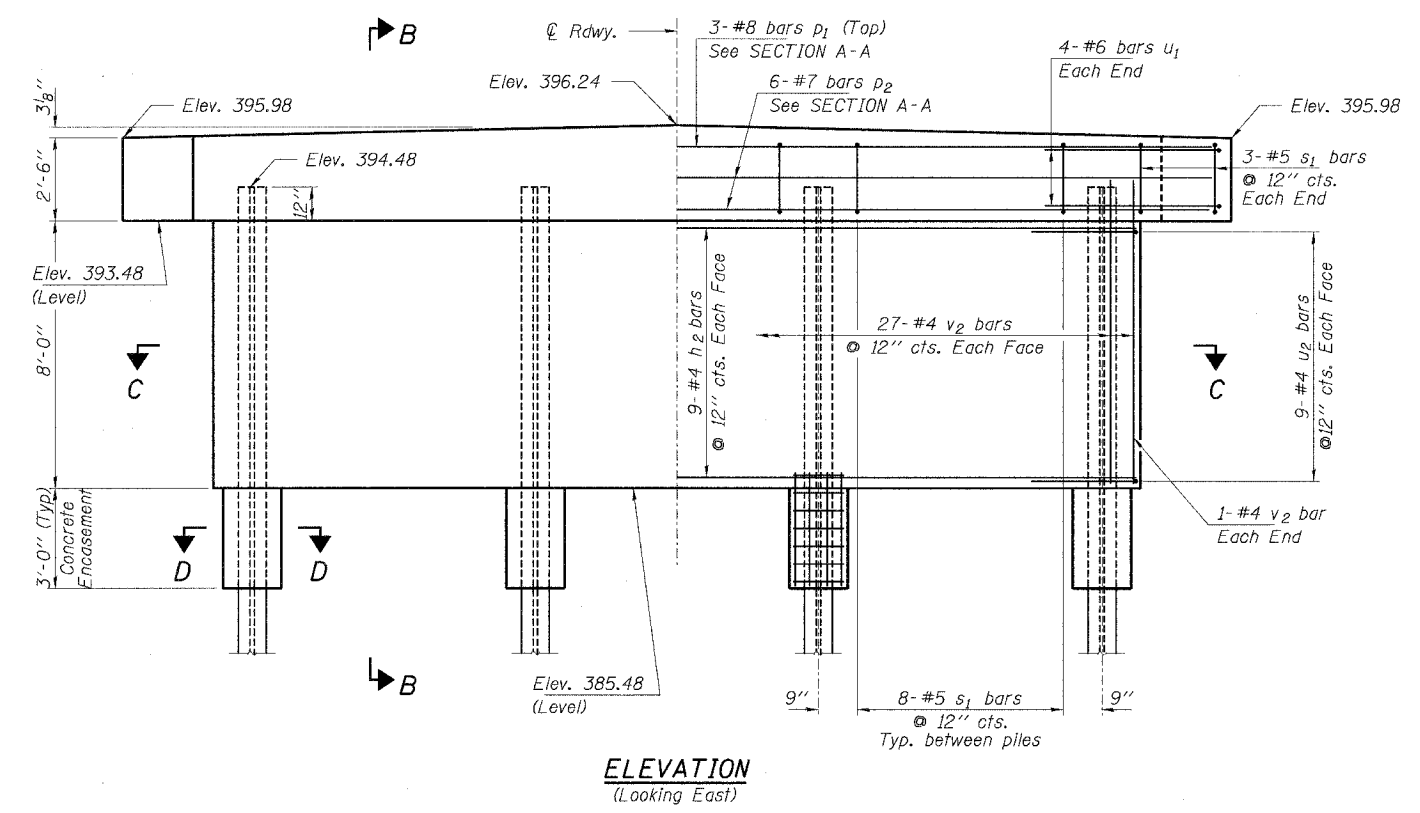
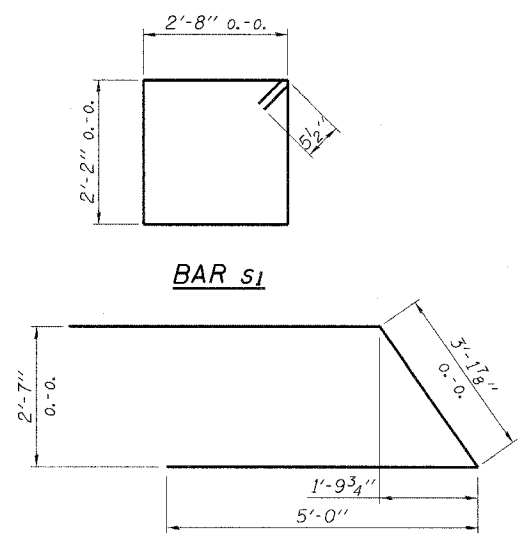
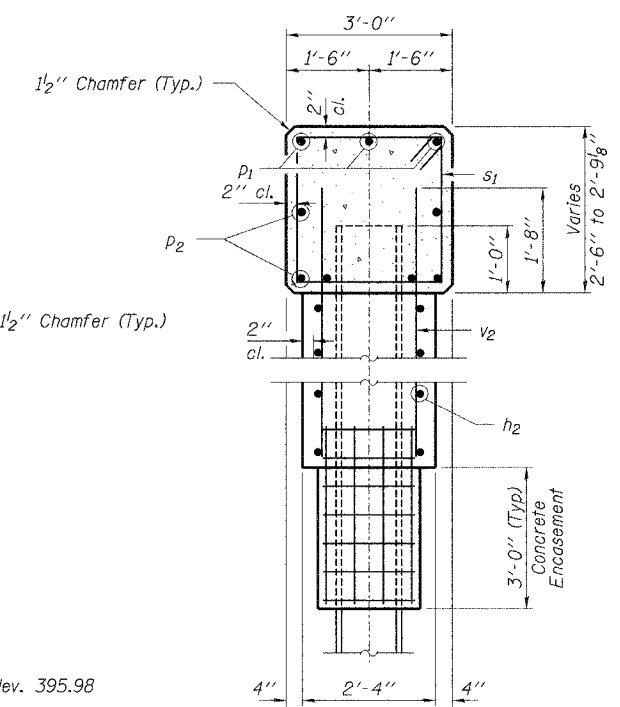
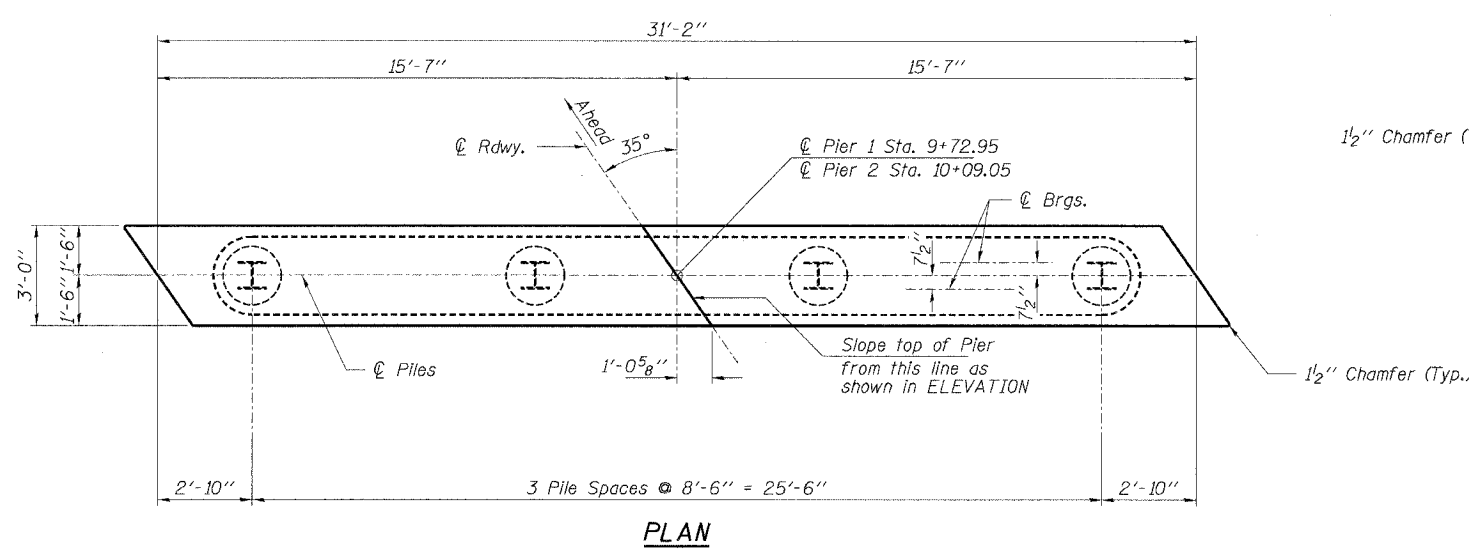


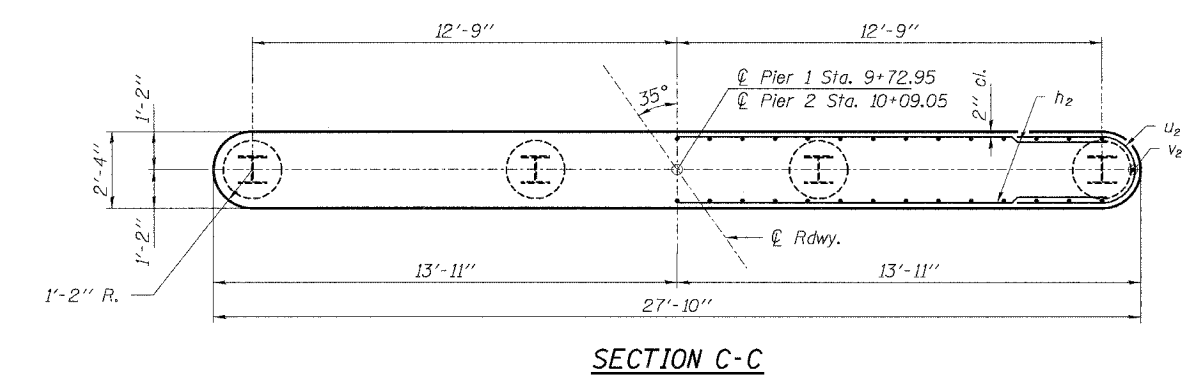
ROUTE NO.	SECTION	COUNTY	DATE	SHEET
F.A.S. 2821	98-16119 -00-BR	WAYNE	13	12

CONTRACT NO. 95415



BILL OF MATERIAL - 2 PIERS

BAR	NO.	SIZE	LENGTH	SHAPE
h2	36	#4	25'-6"	
p1	6	#8	30'-10"	
p2	12	#7	30'-10"	
s1	60	#5	10'-7"	□
u1	16	#6	13'-2"	▤
u2	36	#4	9'-2"	▤
v2	112	#4	9'-6"	
Concrete Structures			Cu. Yd.	58.8
Reinforcement Bars			Pound	3,770
Steel Piles HP10x42			Foot	240
Underwater Structure Exc. Protection Location 1			Each	1
Underwater Structure Exc. Protection Location 2			Each	1
Test Pile Steel HP10x42			Each	1



PILE DATA

Type..... Steel HP10x42
 No. Req'd. (2 Piers)..... 8*
 Capacity..... 44 Tons/Pile
 Est. Length..... 40 Feet/Pile (Pier 1)
 Est. Length..... 30 Feet/Pile (Pier 2)

* Includes one test pile to be driven in a permanent location at Pier 1.

HLR

Rice, Berry and Associates
 A Division of Hampton, Lenzini and Renwick, Inc.
 Civil & Structural Engineers
 801 S. Durkin Drive
 Springfield, Illinois 62704
 217-546-3400
 P.O. Box 1036
 DuQuoin, Illinois 62832
 618-790-4637

Account Number 12-97-0005-1
 Date: 09/30/04
 DESIGNED: S.W.M. CHECKED: M.G.B. DRAWN: D.T.M.

PIERS
 SECTION 98-16119-00-BR
 MASSILON ROAD DISTRICT
 WAYNE COUNTY
 STATION 9+91