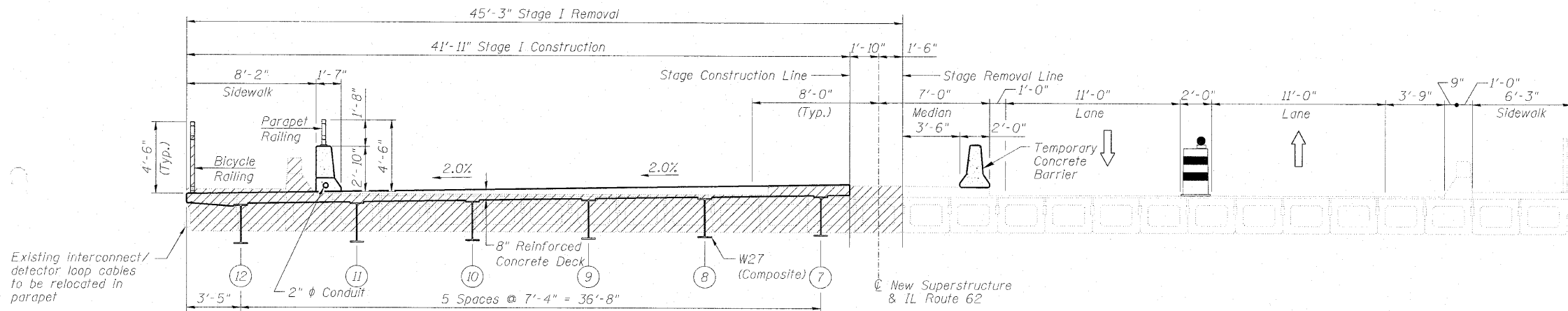
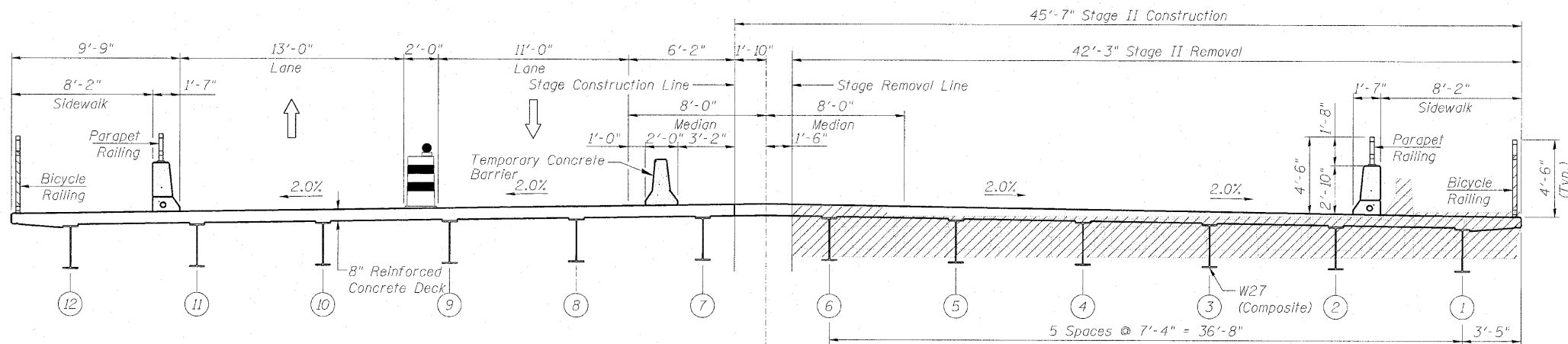


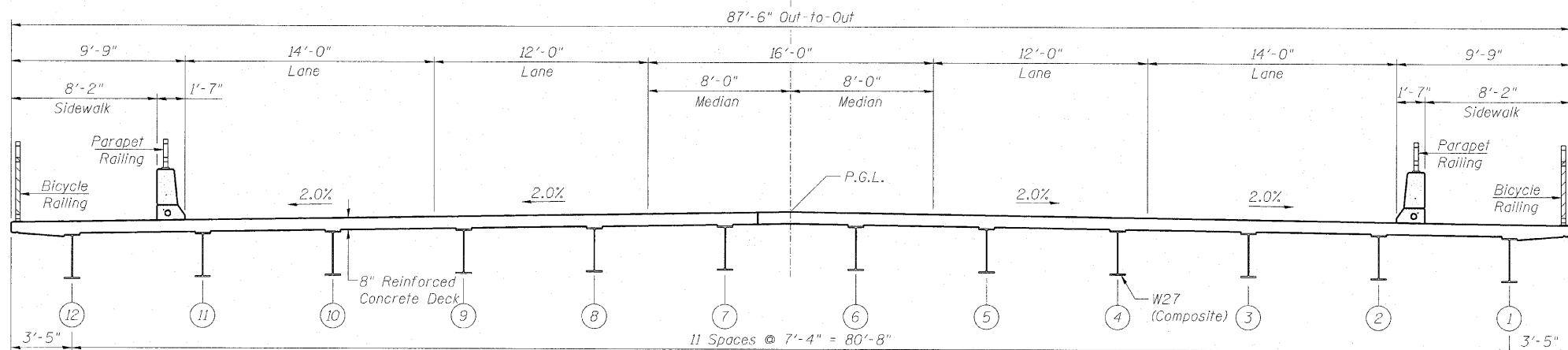
STATE OF ILLINOIS  
DEPARTMENT OF TRANSPORTATION



STAGE I CROSS-SECTION  
(Looking West)



STAGE II CROSS-SECTION  
(Looking West)



PROPOSED CROSS-SECTION  
(Looking West)

Notes:  
The existing conduit located on the south fascia of the bridge shall be relocated/temporarily supported during construction. This work shall be included in the pay item for "Removal of Existing Superstructures".

See sheet S2 of S27 for Staged Construction Temporary Sheet Piling Details.

For quantity of Temporary Concrete Barrier see Roadway Plans.

CONSTRUCTION STAGES  
STRUCTURE NO. 016-0581

DESIGNED	MAH
CHECKED	JMH
DRAWN	DR
CHECKED	JMH

**COLLINS ENGINEERS**  
123 N. WACKER DR., SUITE 300  
CHICAGO, IL 60606  
(312) 704-9300  
ILLINOIS PROFESSIONAL DESIGN FIRM LICENSE NO. 184-000993

SHEET NO. S3 OF S27 SHEETS	F.A.P. RTE.	SECTION	COUNTY	TOTAL SHEETS	SHEET NO.
	339	116-Y-2-BR-1	COOK	74	25
CONTRACT NO. 60J00					
ILLINOIS FED. AID PROJECT					