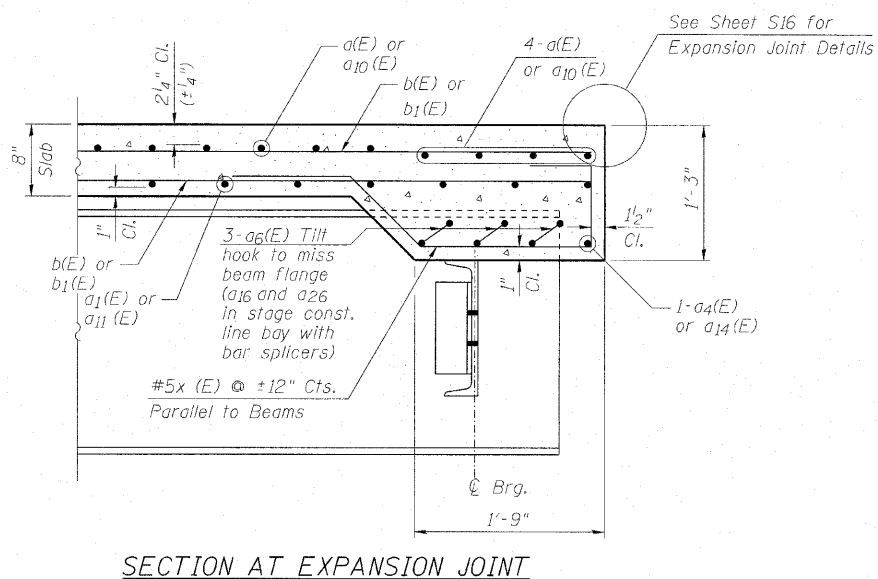
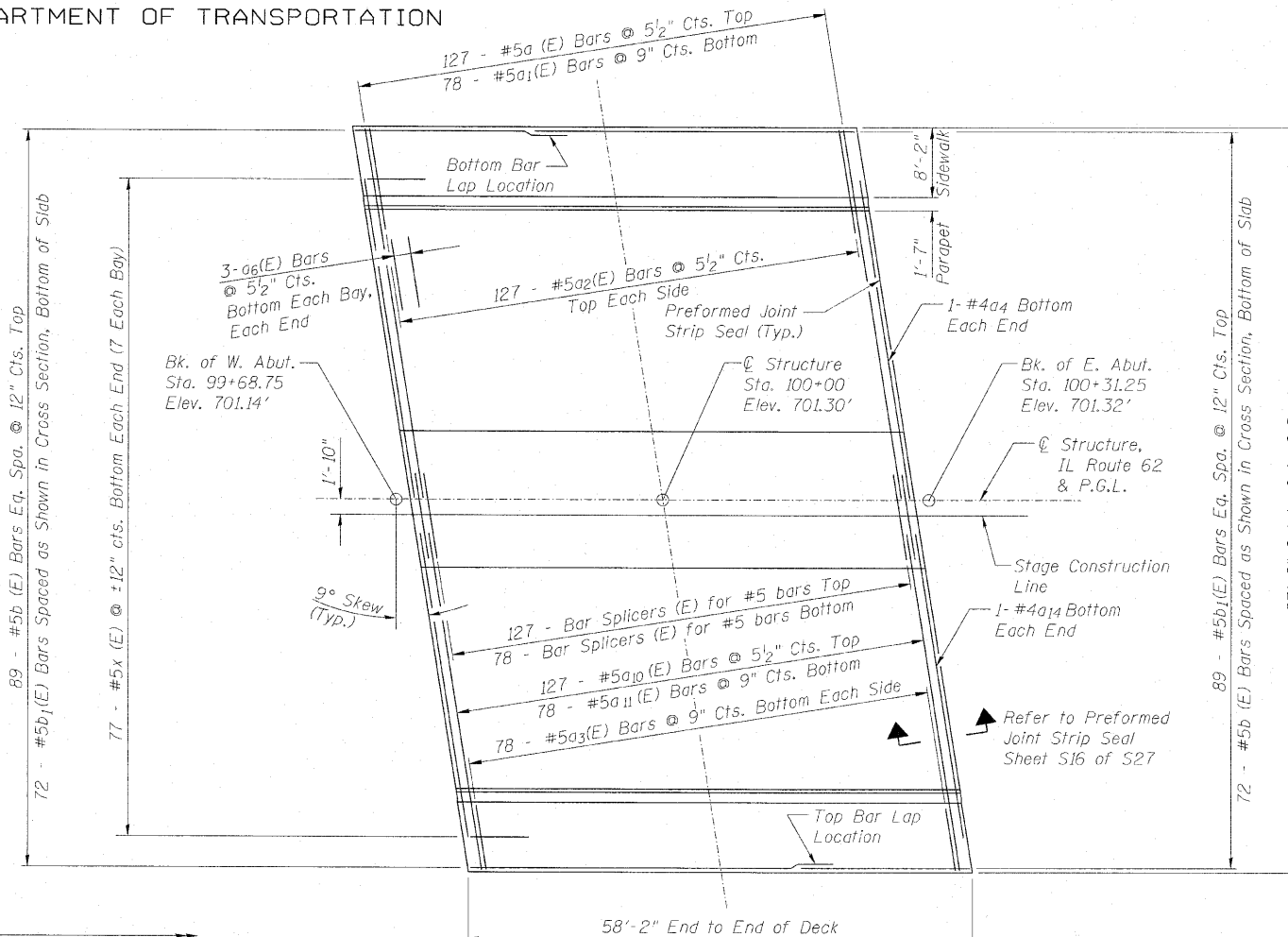


STATE OF ILLINOIS
DEPARTMENT OF TRANSPORTATION

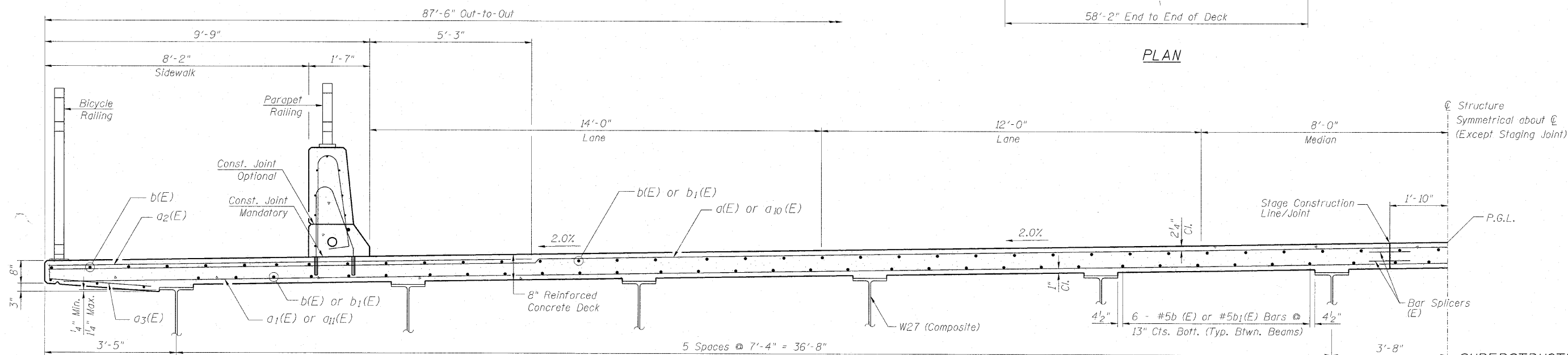


SECTION AT EXPANSION JOINT

Note:
See sheet S8 for Superstructure Details, Bar Details,
Parapet Reinforcement, and Bill of Materials.



PLAN



PARTIAL CROSS SECTION
(Looking West)

SUPERSTRUCTURE PLAN
AND CROSS SECTION
STRUCTURE NO. 016-0581

DESIGNED	MAH
CHECKED	JMH
DRAWN	DR
CHECKED	JMH

Minimum Bar Lap
#4 Bars = 2'-7"
#5 Bars = 3'-3"
#8 Bars = 6'-9"

COLLINS ENGINEERS
123 N. WACKER DR.,
SUITE 300
CHICAGO, IL 60606
(312) 704-9300
ILLINOIS PROFESSIONAL DESIGN FIRM LICENSE NO. 184-000993

SHEET NO. S7 OF S27 SHEETS	F.A.P. RTE.	SECTION	COUNTY	TOTAL SHEETS	SHEET NO.
	339	116-Y-2-BR-1	COOK	74	29
CONTRACT NO. 60J00					

ILLINOIS FED. AID PROJECT