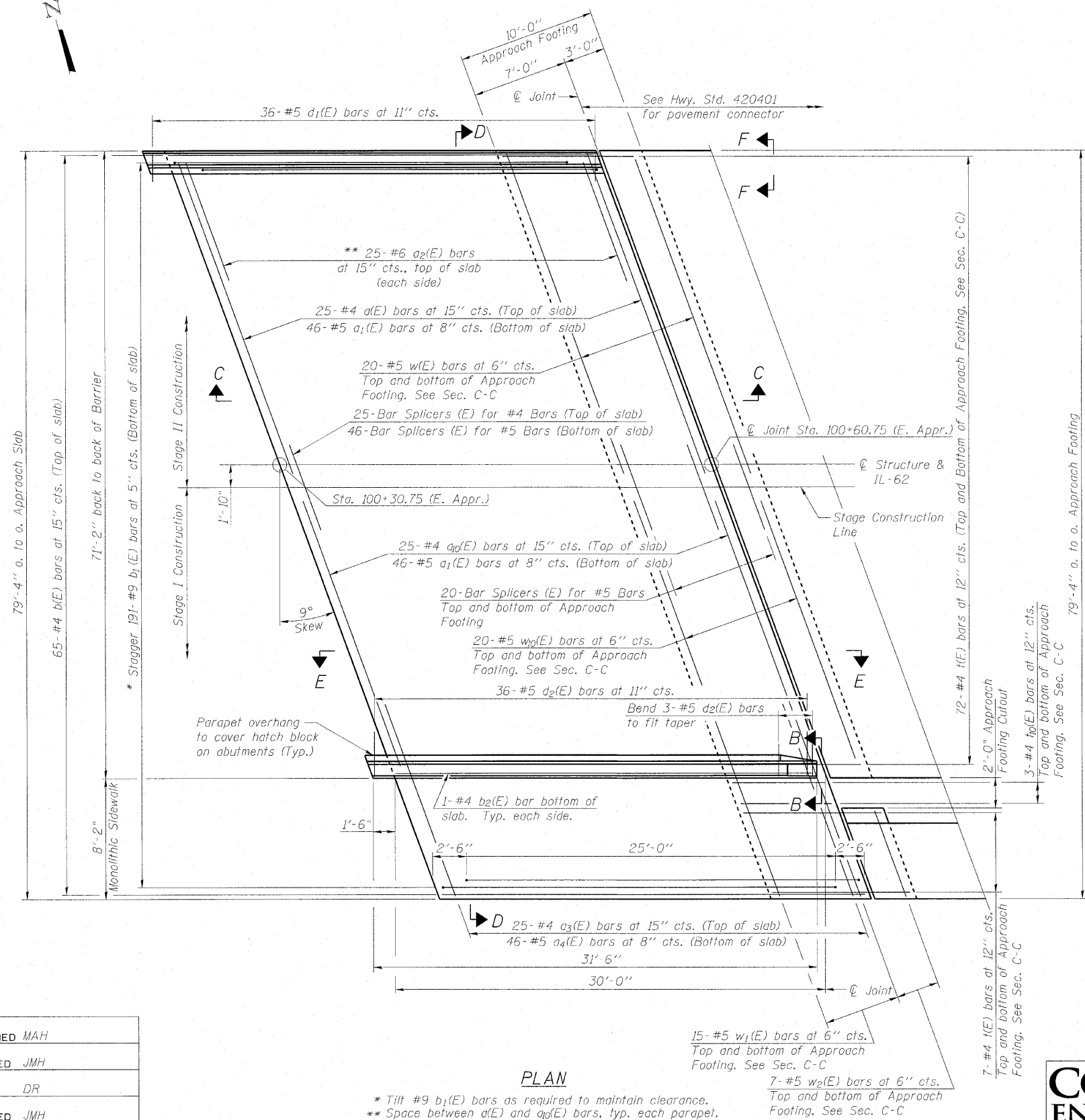
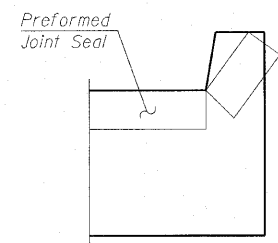
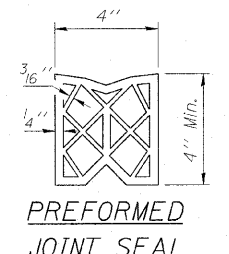
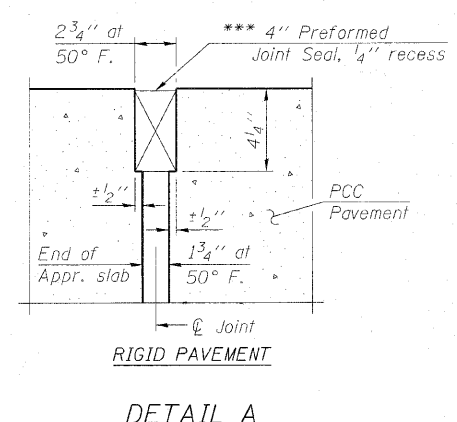


STATE OF ILLINOIS  
DEPARTMENT OF TRANSPORTATION

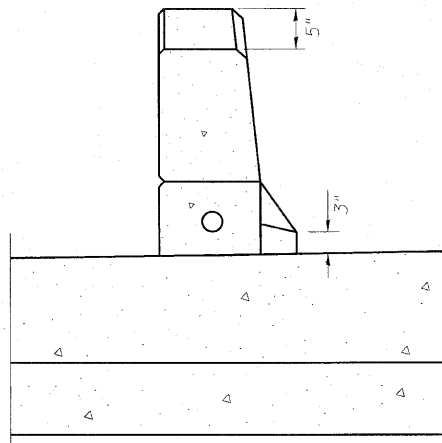
Notes:  
See sheet S10 of S27 for Sections C-C & D-D and View E-E.  
a(E), a<sub>1</sub>(E), a<sub>2</sub>(E) and a<sub>3</sub>(E) bar spacings measured along  $\bar{C}$  Rdwy.



\*\*\* Cost included with Concrete Superstructure.



VIEW F-F  
Angle Preformed Joint Seal at 45° at curbs when req'd for drainage.



VIEW B-B

PLAN

\* Tilt #9 b<sub>1</sub>(E) bars as required to maintain clearance.  
\*\* Space between a(E) and a<sub>0</sub>(E) bars, typ. each parapet.

DESIGNED MAH
CHECKED JMH
DRAWN DR
CHECKED JMH

BA-R 11-1-09

(Sheet 1 of 2)  
EAST BRIDGE APPROACH SLAB DETAILS  
STRUCTURE NO. 016-0581

COLLINS ENGINEERS ILLINOIS PROFESSIONAL DESIGN FIRM LICENSE NO. 184-000993	123 N. WACKER DR., SUITE 300 CHICAGO, IL 60606 (312) 704-9300	SHEET NO. S9 OF S27 SHEETS	F.A.P. RTE. 339	SECTION 116-Y-2-BR-1	COUNTY COOK	TOTAL SHEETS 74	SHEET NO. 31
		CONTRACT NO. 60J00				ILLINOIS FED. AID PROJECT	