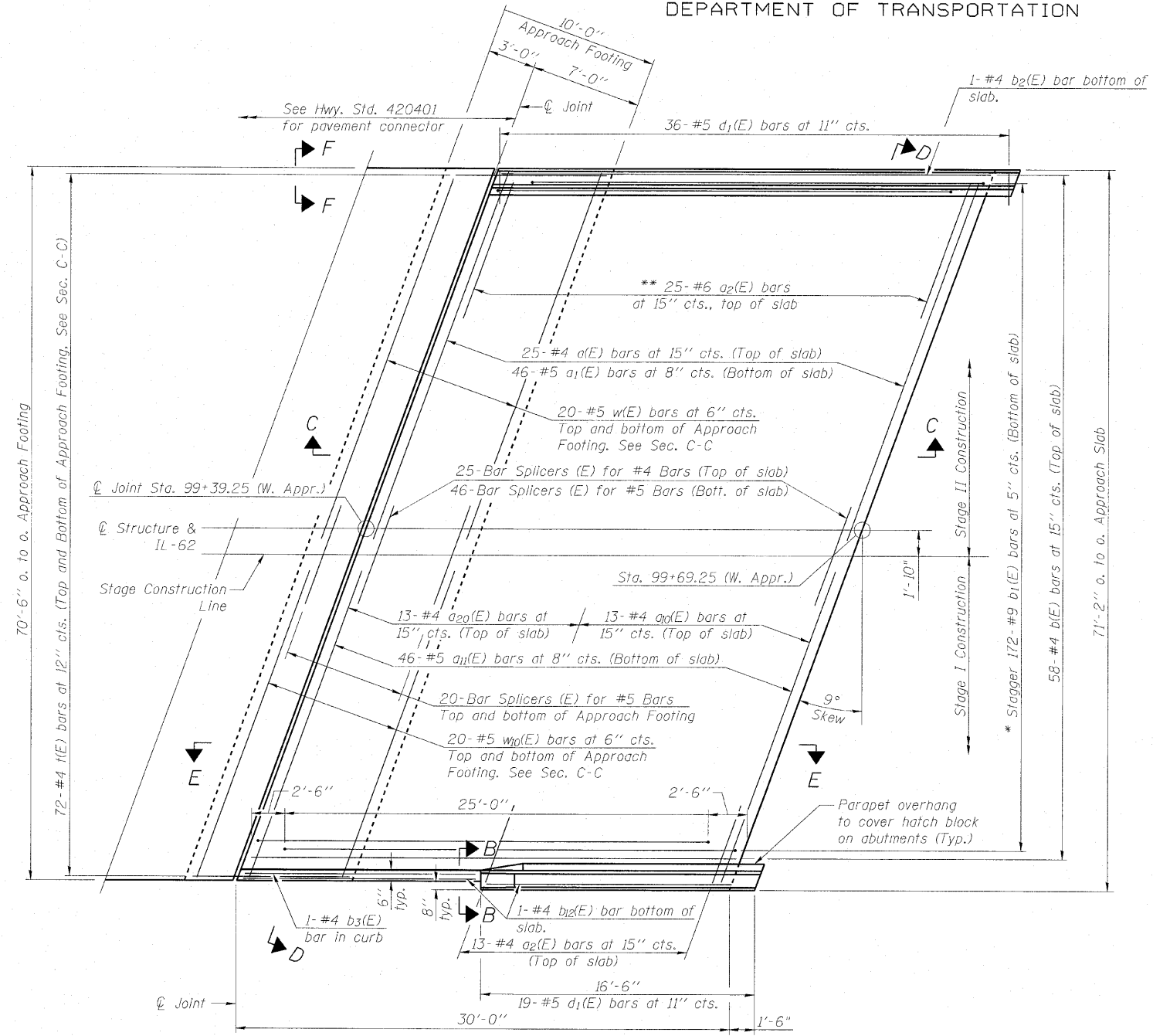
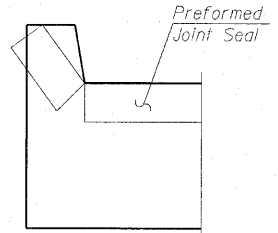
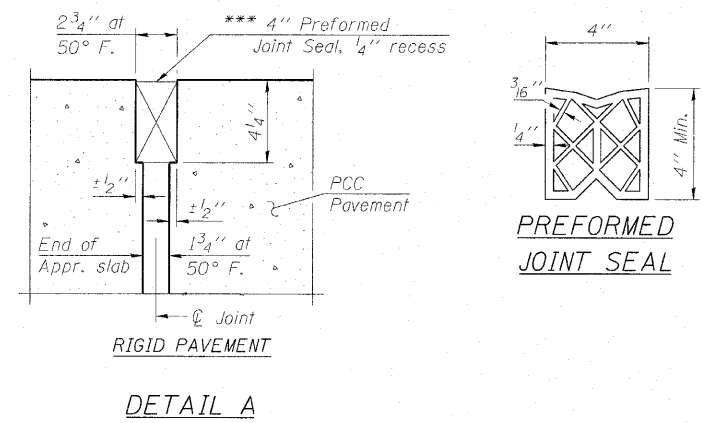


STATE OF ILLINOIS
DEPARTMENT OF TRANSPORTATION

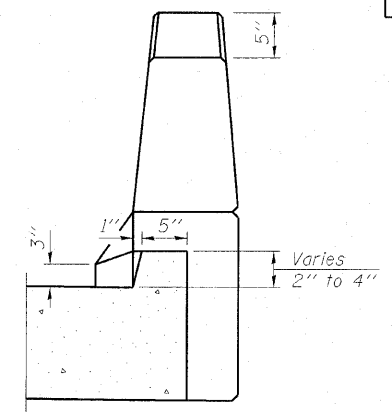
Notes:
See sheet S12 of S27 for Sections C-C & D-D and View E-E.
a(E), a₁(E), a₂₀(E) and a₁₁(E) bar spacings measured along @ Rdwy.



*** Cost included with Concrete Superstructure.



VIEW F-F
Angle Preformed Joint Seal at 45°
at curbs when req'd for drainage.



VIEW B-B

PLAN

* Tilt #9 b₁(E) bars as required to maintain clearance.
** Space between a(E) and a₂₀(E) bars, typ. each parapet.

DESIGNED	MAH
CHECKED	JMH
DRAWN	DR
CHECKED	JMH

BA-R 11-1-09

(Sheet 1 of 2)
WEST BRIDGE APPROACH SLAB DETAILS
STRUCTURE NO. 016-0581

COLLINS ENGINEERS 123 N. WACKER DR., SUITE 300 CHICAGO, IL 60606 (312) 704-9300 ILLINOIS PROFESSIONAL DESIGN FIRM LICENSE NO. 184-000993	SHEET NO. S11 OF S27 SHEETS	F.A.P. RTE.	SECTION	COUNTY	TOTAL SHEETS	SHEET NO.
		339	116-Y-2-BR-1	COOK	74	32A
CONTRACT NO. 60J00						ILLINOIS FED. AID PROJECT