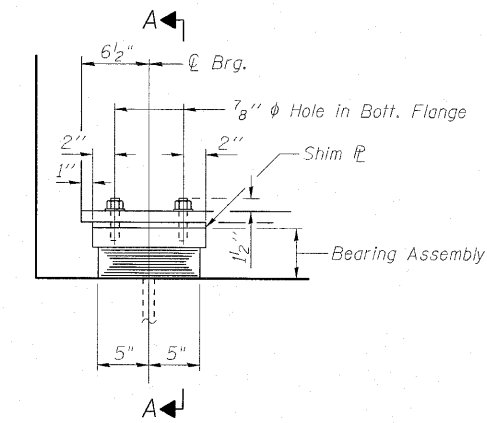
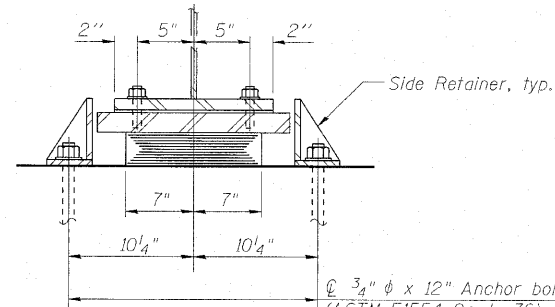


STATE OF ILLINOIS
DEPARTMENT OF TRANSPORTATION



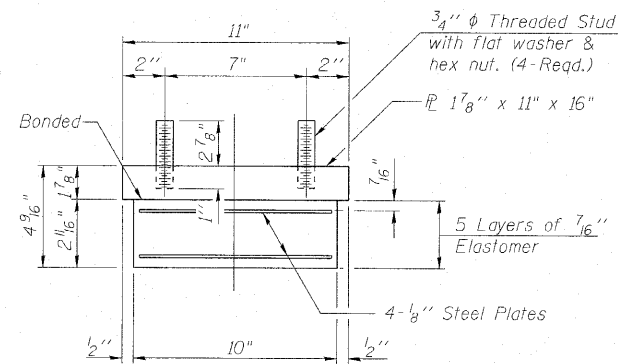
ELEVATION AT ABUT.



SECTION A-A

Side Retainer, typ.
C 3/4" phi x 12" Anchor bolts
(ASTM F1554 Grade 36) with
2 1/4" x 2 1/4" x 5/16" PL washer
under nut

TYPE I ELASTOMERIC EXP. BRG. EAST ABUTMENT



BEARING ASSEMBLY

Note:
Shim plates shall not be placed
under Bearing Assembly.

Notes:

Anchor bolts shall be ASTM F1554 all-thread (or an Engineer-approved alternate material) of the grade(s) and diameter(s) specified. ASTM A307 Grade C anchor bolts may be used in lieu of ASTM F1554 Grade 36 (Fy=36ksi). The corresponding specified grade of AASHTO M314 anchor bolts may be used in lieu of ASTM F1554.

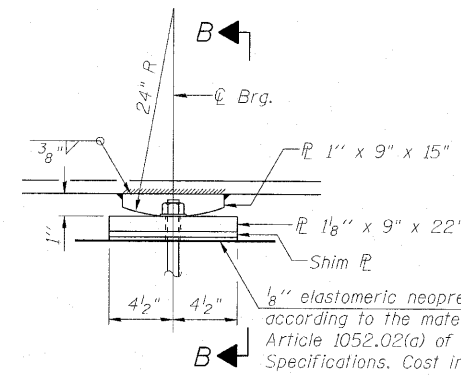
Anchor bolts at fixed bearings may be either cast in place or installed in holes drilled after the supported member is in place.

Anchor bolts for side retainers may be cast in place or installed in holes drilled before or after members are in place.

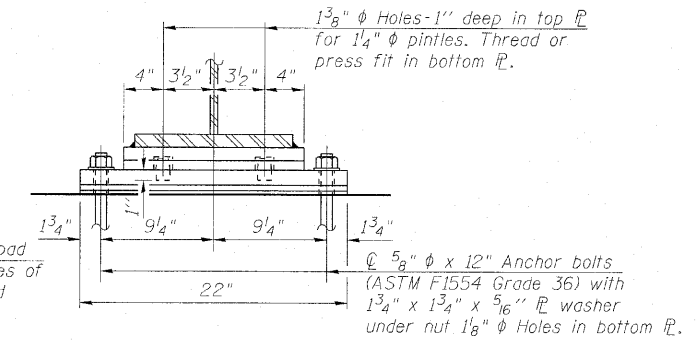
Drilled and set anchor bolts shall be installed according to Article 521.06 of the Standard Specifications.

Side retainers and other steel members required for the bearing assembly shall be included in the cost of Elastomeric Bearing Assembly, Type I.

The structural steel plates of the bearing assembly shall conform to the requirements of AASHTO M 270 Grade 50W.

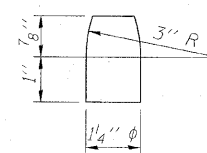


ELEVATION

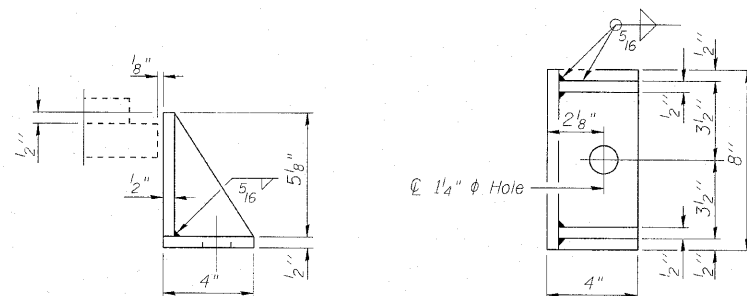


SECTION B-B

FIXED BEARING WEST ABUTMENT



PINTLE



SIDE RETAINER

Equivalent rolled angle with stiffeners
will be allowed in lieu of welded plates.

BILL OF MATERIAL

Item	Unit	Total
Elastomeric Bearing Assembly Type I	Each	12
Anchor Bolts, 3/4" phi	Each	24
Anchor Bolts, 5/8" phi	Each	24

BEARING DETAILS
STRUCTURE NO. 016-0581

DESIGNED MAH
CHECKED JMH
DRAWN DR
CHECKED JMH

I-2E-1

11-1-09

COLLINS ENGINEERS
123 N. WACKER DR.,
SUITE 300
CHICAGO, IL 60606
(312) 704-9300
ILLINOIS PROFESSIONAL DESIGN FIRM LICENSE NO. 184-000993

SHEET NO. S19 OF S27 SHEETS	F.A.P. RTE. 339	SECTION 116-Y-2-BR-1	COUNTY COOK	TOTAL SHEETS 74	SHEET NO. 39
	CONTRACT NO. 60J00				ILLINOIS FED. AID PROJECT