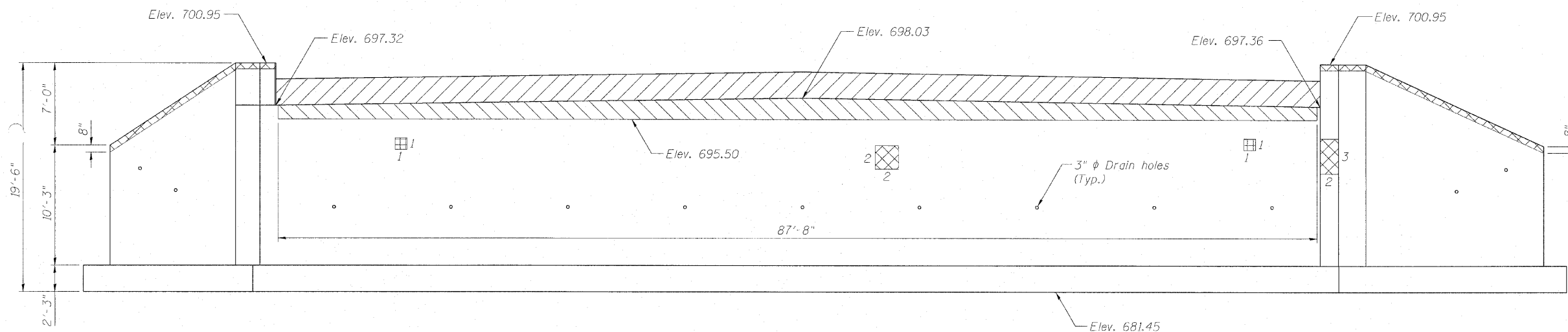
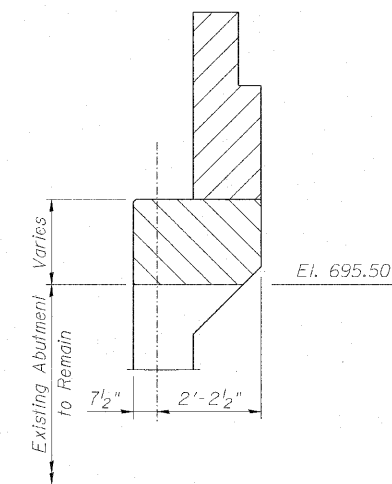


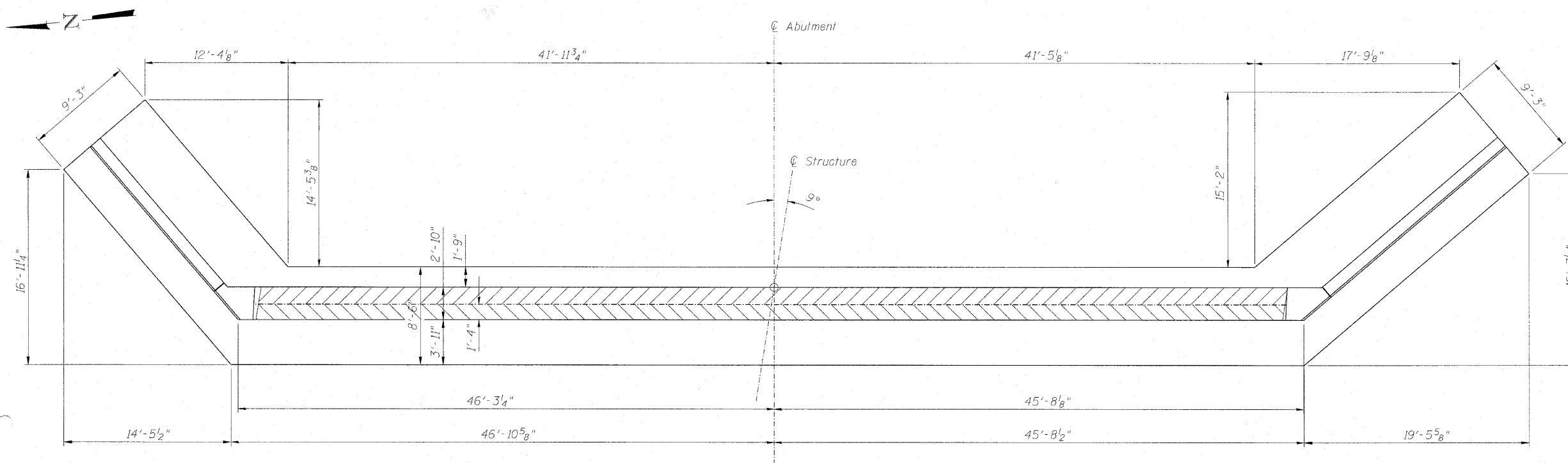
STATE OF ILLINOIS  
DEPARTMENT OF TRANSPORTATION



EXISTING EAST ABUTMENT ELEVATION



SECTION THRU EAST ABUTMENT



EXISTING EAST ABUTMENT PLAN

Note:  
Clean and reuse existing bars at top of wingwalls. Cost included in item for "Structural Repair of Concrete (Depth greater than 5 inches)." See sheet S21 of S27 for Bill of Materials.

DESIGNED	MAH
CHECKED	JMH
DRAWN	DR
CHECKED	JMH

- Legend:
- Concrete Removal (Backwall/Abutment)
  - Concrete Removal (Beam Seat)
  - Structural Repair of Concrete (Depth less than 5 inches)
  - Structural Repair of Concrete (Depth greater than 5 inches)

**COLLINS ENGINEERS**  
123 N. WACKER DR.,  
SUITE 300  
CHICAGO, IL 60606  
(312) 704-9300  
ILLINOIS PROFESSIONAL DESIGN FIRM LICENSE NO. 184-000993

SHEET NO. S20 OF S27 SHEETS	F.A.P. RTE.	SECTION	COUNTY	TOTAL SHEETS	SHEET NO.
	339	116-Y-2-BR-1	COOK	74	40
			CONTRACT NO. 60J00		
ILLINOIS FED. AID PROJECT					

EXISTING EAST ABUTMENT  
STRUCTURE NO. 016-0581