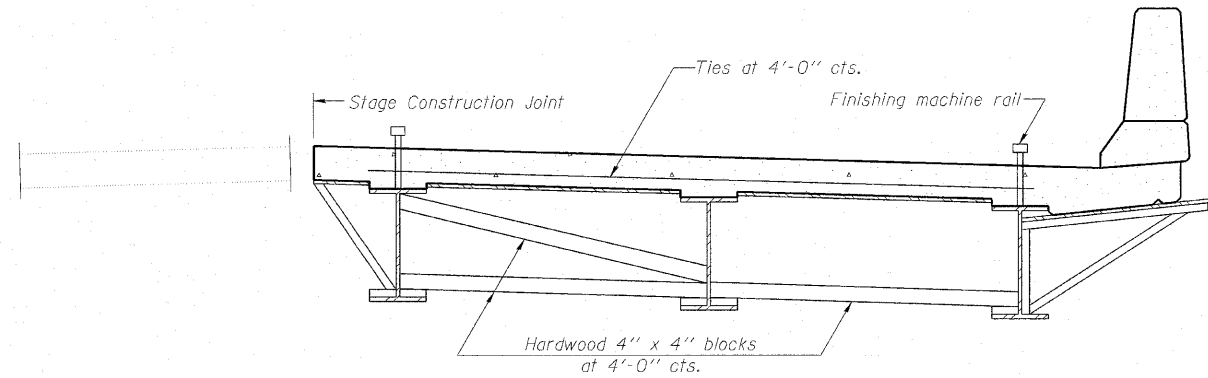


STATE OF ILLINOIS
DEPARTMENT OF TRANSPORTATION



FORM BRACES FOR
STAGE CONSTRUCTION

When cantilever forming brackets are used, the work shall be done according to Article 503.06(b) of the Standard Specifications, except as modified below and in the details shown on this sheet.
The finishing machine rails shall be placed on the top flange of the exterior beams.
The beams or girders, supporting cantilever forming brackets, shall be tied together at 4 foot intervals.
For Standard construction, or Stage Construction the Hardwood bracing materials shall be placed as shown between webs of beams in each bay.



FORM BRACES FOR
STANDARD CONSTRUCTION

CANTILEVER FORMING BRACKETS
FOR SUPERSTRUCTURES WITH
W27 BEAMS AND SMALLER
STRUCTURE NO. 016-0581

DESIGNED	MAH
CHECKED	JMH
DRAWN	DR
CHECKED	JMH

SB-1

11-1-09

COLLINS ENGINEERS
123 N. WACKER DR.,
SUITE 300
CHICAGO, IL 60606
(312) 704-9300
ILLINOIS PROFESSIONAL DESIGN FIRM LICENSE NO. 184-000993

SHEET NO. S26 OF S27 SHEETS	F.A.P. RTE.	SECTION	COUNTY	TOTAL SHEETS	SHEET NO.
	339	116-Y-2-BR-1	COOK	74	46
CONTRACT NO. 60J00					
ILLINOIS FED. AID PROJECT					