

F.A.P. RTE.	SECTION	COUNTY	TOTAL SHEETS	SHEET NO.
339	116-Y-2-BR-1	COOK	74	1
		ILLINOIS	CONTRACT NO. 60J00	

* 74 + 2 = 76

D-91-136-10



LOCATION OF SECTION INDICATED THUS: - [black rectangle] -

**STATE OF ILLINOIS
DEPARTMENT OF TRANSPORTATION
DIVISION OF HIGHWAYS**

**PROPOSED
HIGHWAY PLANS**

**FAP 339 / ILLINOIS ROUTE 62 (ALGONQUIN RD.)
SECTION 116-Y-2-BR-1
OVER SALT CREEK (0.7 MI. E. OF IL 53)
BRIDGE SUPERSTRUCTURE REPLACEMENT & ROADWAY IMPROVEMENT
PROJECT NUMBER: ACBRF-0339(027)
COOK COUNTY
C-91-136-10**

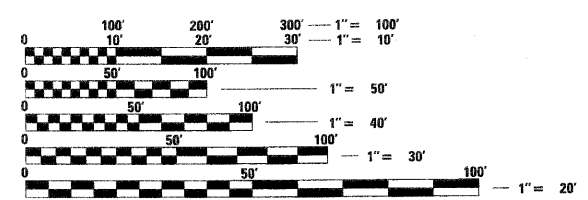
FOR INDEX OF SHEETS, SEE SHEET NO. 2

DESIGN DESIGNATION

**COLLECTOR (URBAN)
ADT 37,400 (2007)
SPEED LIMIT 35 MPH**

**IMPROVEMENT LOCATED IN
THE CITY OF ROLLING MEADOWS**

**IMPROVEMENT LOCATION
ILLINOIS ROUTE 62
(ALGONQUIN ROAD)
OVER SALT CREEK
STRUCTURE NO: 016-0581
BEGIN PROJECT: STA. 95+01.21
END PROJECT: STA. 102+72.44**

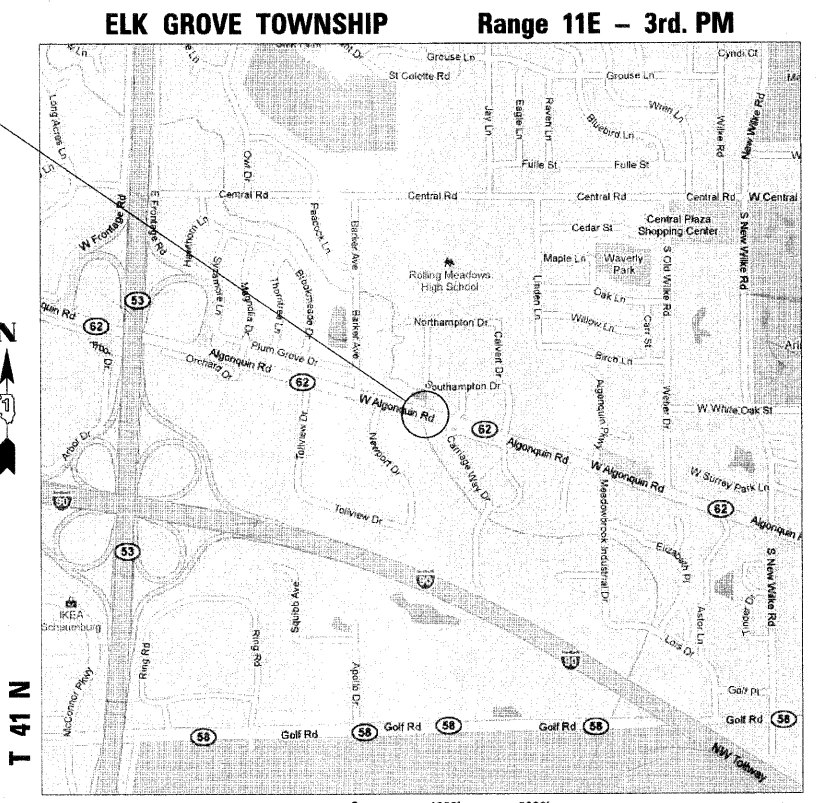


FULL SIZE PLANS HAVE BEEN PREPARED USING STANDARD ENGINEERING SCALES. REDUCED SIZED PLANS WILL NOT CONFORM TO STANDARD SCALES. IN MAKING MEASUREMENTS ON REDUCED PLANS, THE ABOVE SCALES MAY BE USED.

**J.U.L.I.E.
JOINT UTILITY LOCATION INFORMATION FOR EXCAVATION
1-800-892-0123
OR 811**

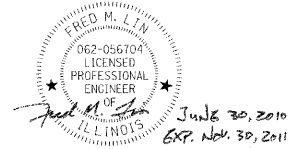
**PROJECT MANAGER: ISAAC KWARTENG (847) 705-4230
PROJECT ENGINEER: JEAN-ALIX BRICE (847) 705-4552**

CONTRACT NO. 60J00



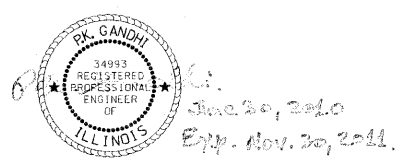
LOCATION MAP

GROSS AND NET LENGTH OF IMPROVEMENT = 771.23 FT. = 0.146 MILE

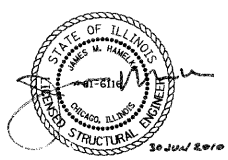


LIN ENGINEERING, LTD.,
FRED M. LIN
NO. 062-056704
EXPIRES 11-30-2011

Lin Engineering, Ltd.
Consulting Engineers
Chatham, Illinois Westmont, Illinois



GO GANDHI AND ASSOCIATES, INC.
ENGINEERS AND PLANNERS
6035 N. NORTHWEST HIGHWAY
SUITE 306
CHICAGO, ILLINOIS 60631 TEL: (773) 774-5910



COLLINS ENGINEERS, INC.
JAMES M. HAMELKA
NO. 081-066116
EXPIRES 11-30-2010

COLLINS ENGINEERS
123 N. WACKER DR., SUITE 300
CHICAGO, IL 60606
(312) 704-9300
ILLINOIS PROFESSIONAL DESIGN FIRM
LICENSE NO. 184-000993

**STATE OF ILLINOIS
DEPARTMENT OF TRANSPORTATION
DIVISION OF HIGHWAYS**

SUBMITTED June 30, 2010

Diana M. O'Keefe DEPUTY DIRECTOR OF HIGHWAYS, REGION ONE ENGINEER

August 13, 2010

Scott E. Stitt, P.E. acting ENGINEER OF DESIGN AND ENVIRONMENT

August 13, 2010

Christine M. Reed DIRECTOR OF HIGHWAYS, CHIEF ENGINEER

**PRINTED BY THE AUTHORITY
OF THE STATE OF ILLINOIS**

INDEX OF SHEETS

1	COVER SHEET
2	INDEX OF SHEETS, STANDARDS, GENERAL NOTES & COMMITMENTS
3-4	SUMMARY OF QUANTITIES
5	TYPICAL SECTIONS
6-11	SCHEDULE OF QUANTITIES
12	SURVEY CONTROL POINTS AND TIES
13	REMOVAL PLAN
14	EXISTING PLAN & PROFILE SHEET
15	PROPOSED PLAN & PROFILE SHEET
16-19	MAINTENANCE OF TRAFFIC PLANS
20	EROSION CONTROL PLAN
21	PROPOSED DRAINAGE PLAN
22	PAVEMENT MARKING PLAN
23-47	STRUCTURAL PLANS
48-59	TEMPORARY TRAFFIC SIGNAL PLANS
60-71	DISTRICT STANDARDS
72-74	CROSS SECTIONS

STATE STANDARDS

000001-05	STANDARD SYMBOLS, ABBREVIATIONS AND PATTERNS
001001-02	AREAS OF REINFORCEMENT BARS
001006	DECIMAL OF AN INCH AND OF A FOOT
280001-05	TEMPORARY EROSION CONTROL SYSTEMS
420001-07	PAVEMENT JOINTS
420111-02	PCC PAVEMENT ROUNDOUTS
420401-08	BRIDGE APPROACH PAVEMENT CONNECTOR
420701-02	PAVEMENT FABRIC
515001-03	NAME PLATE FOR BRIDGES
604001-03	FRAME AND LIDS TYPE 1
606001-04	CONCRETE CURB TYPE B AND COMBINATION CONCRETE CURB AND GUTTER
606201-02	TYPE B GUTTER (INLET, OUTLET & ENTRANCE)
630001-08	STEEL PLATE BEAM GUARDRAIL
630301-05	SHOULDER WIDENING FOR TYPE 1 (SPECIAL) GUARDRAIL TERMINALS
635001-01	DELINEATORS
635006-03	REFLECTOR AND TERMINAL MARKER PLACEMENT
635011-02	REFLECTOR MARKER AND MOUNTING DETAILS
667101-01	PERMANENT SURVEY MARKERS
701306-02	LANE CLOSURE, 2L, 2W, SLOW MOVING OPERATIONS DAY ONLY, FOR SPEEDS >= 45 MPH
701311-03	LANE CLOSURE 2L, 2W MOVING OPERATIONS-DAY ONLY
701426-03	LANE CLOSURE, MULTILANE, INTERMITTENT OR MOVING OPERATIONS, FOR SPEEDS >= 45 MPH
701606-06	URBAN LANE CLOSURE, MULTILANE, 2W WITH MOUNTABLE MEDIAN
701901-01	TRAFFIC CONTROL DEVICES
704001-06	TEMPORARY CONCRETE BARRIER
720001-01	SIGN PANEL MOUNTING DETAILS
720006-02	SIGN PANEL ERECTION DETAILS
720011-01	METAL POSTS FOR SIGNS, MARKERS & DELINEATORS
729001-01	APPLICATIONS OF TYPES A & B METAL POSTS (FOR SIGNS & MARKERS)
780001-02	TYPICAL PAVEMENT MARKINGS
857001-01	STANDARD PHASE DESIGNATION DIAGRAMS AND PHASE SEQUENCES
880001-01	SPAN WIRE MOUNTED SIGNALS AND FLASHING BEACON INSTALLATION

DISTRICT STANDARDS

BD01	TC10
BD08	TC11
BD24	TC13
BD32	TC22
BD34	TC26
BD48	TS05
BD51	

GENERAL NOTES

THE LOCATIONS OF EXISTING WATER MAINS, GAS MAINS, SEWERS, ELECTRIC POWER LINES, TELEPHONE LINES AND OTHER UTILITIES AS SHOWN ON THE PLANS ARE BASED ON CAREFUL FIELD INVESTIGATION AND THE BEST INFORMATION AVAILABLE, BUT THEY ARE NOT GUARANTEED. UNLESS ELEVATIONS ARE SHOWN --- ALL UTILITY LOCATIONS SHOWN ON THE CROSS SECTIONS ARE BASED ON THE APPROXIMATE DEPTH SUPPLIED BY THE UTILITY COMPANY. IT SHALL BE THE CONTRACTOR'S RESPONSIBILITY TO ASCERTAIN THEIR EXACT LOCATION FROM THE UTILITY COMPANIES AND BY FIELD INSPECTION.

ABANDONED UNDERGROUND UTILITIES THAT CONFLICT WITH CONSTRUCTION SHALL BE DISPOSED OUTSIDE THE LIMITS OF RIGHT-OF-WAY ACCORDING TO ARTICLE 202.03 OF THE STANDARD SPECIFICATIONS AND AS DIRECTED BY THE ENGINEER. THIS WORK WILL NOT BE PAID FOR SEPARATELY BUT SHALL BE CONSIDERED INCLUDED IN THE COST OF EARTH EXCAVATION.

THE CONTRACTOR SHALL COORDINATE ACTIVITIES WITH ALL UTILITIES WITHIN THE PROJECT LIMITS, AND ALSO WITH THE VILLAGE OF ROLLING MEADOWS PUBLIC WORKS DEPARTMENT (847-963-0500). ALL UTILITY RELOCATIONS SHALL TYPICALLY BE PERFORMED BY UTILITY AND/OR LOCAL AGENCIES. IF SPECIFIC UTILITY RELOCATIONS ARE REQUIRED TO BE PERFORMED BY THE CONTRACTOR, THIS WORK SHALL BE PAID IN ACCORDANCE WITH ARTICLE 109.04 OF THE STANDARD SPECIFICATIONS, UNLESS OTHERWISE INCLUDED IN THE PLANS.

THE CONTRACTOR SHALL BE RESPONSIBLE FOR PROTECTING UTILITY PROPERTY DURING CONSTRUCTION OPERATIONS AS OUTLINED IN ARTICLE 107.31 OF THE STANDARD SPECIFICATIONS. A MINIMUM OF 48 HOURS ADVANCE NOTICE IS REQUIRED FOR NON-EMERGENCY WORK. THE JULIE NUMBER IS 800-892-0123.

THE APPLICABLE PORTIONS OF ARTICLE 105.07 OF THE STANDARD SPECIFICATIONS SHALL APPLY EXCEPT FOR THE FOLLOWING: THE CONTRACTOR SHALL BE RESPONSIBLE TO LOCATE THE VERTICAL DEPTHS OF UNDERGROUND UTILITIES WHICH MAY INTERFERE WITH CONSTRUCTION OPERATIONS. THIS WORK WILL NOT BE PAID FOR SEPARATELY, BUT SHALL BE CONSIDERED AS INCLUDED IN THE COST OF THE APPLICABLE PAY ITEMS.

STREAM FLOWS SHALL BE MAINTAINED THROUGHOUT THE PROJECT. NORMAL FLOWS SHALL BE ALLOWED TO PASS AT THE RATE IT ENTERS THE JOBSITE. HIGH FLOWS SHALL BE ALLOWED TO PASS WITHOUT CAUSING DAMAGE TO UPSTREAM PROPERTIES.

THE FINISHED EARTHWORK SHALL HAVE A VEGETATION SUSTAINING SOIL COVERING THE TOP FOUR INCHES IN AREAS TO BE SEEDED OR SODDED. THE VEGETATION SUSTAINING SOIL REQUIRED WILL NOT BE PAID FOR SEPARATELY BUT SHALL BE INCLUDED IN THE COST OF TOPSOIL FURNISH & PLACE, 4".

COMMITMENTS ARE NOT TO BE ALTERED WITHOUT THE WRITTEN APPROVAL OF ALL PARTIES TO WHICH THE COMMITMENT WAS MADE.

ACCESS MUST BE MAINTAINED TO ALL EXISTING PROPERTIES DURING CONSTRUCTION PER ARTICLE 107.09 UNLESS ARRANGEMENTS ARE MADE IN WRITING BY THE CONTRACTOR WITH THE PROPERTY OWNERS WITH A COPY TO THE ENGINEER FOR SHORT-TERM CLOSURES.

PRIOR TO THE USE OF ANY PROPOSED BORROW AREAS, USE AREAS (TEMPORARY ACCESS ROADS, DETOURS, RUN-AROUNDS, ETC.) AND/OR WASTE AREAS, THE CONTRACTOR SHALL FILE THE REQUIRED ENVIRONMENTAL RESOURCE REQUEST SURVEYS ACCORDING TO SECTION 107.22 OF THE STANDARD SPECIFICATIONS. THESE SURVEYS ARE REQUIRED IN ORDER FOR THE DEPARTMENT TO CONDUCT CULTURAL AND BIOLOGICAL RESOURCE SURVEYS FOR THE PROPOSED SITE.

PRIOR TO ANY WASTE MATERIALS BEING REMOVED FROM THE CONSTRUCTION SITE THE REQUIRED ENVIRONMENTAL RESOURCE SURVEYS WILL NEED TO BE OBTAINED AND FILED BY THE CONTRACTOR. EXCESS WASTE PRODUCTS REMOVED FROM THE CONSTRUCTION SITE SHALL BE DISPOSED OF AS REQUIRED IN SECTION 202.03 OF THE STANDARD SPECIFICATIONS.

ANY PROTRUDING METAL BARS SHALL BE REMOVED PRIOR TO THE DISPOSAL OF BROKEN CONCRETE AT APPROVED DISPOSAL SITES.

THE REQUIRED ENVIRONMENTAL RESOURCE DOCUMENTATION SHALL INCLUDE THE FOLLOWING:

- BDE FORM 2289 (ENVIRONMENTAL SURVEY REQUEST)
- A LOCATION MAP SHOWING THE SIZE LIMITS AND LOCATION OF THE USE AREA
- SIGNED PROPERTY OWNER AGREEMENT FORM
- COLOR PHOTOGRAPHS DEPICTING THE USE AREA

PLEASE NOTE THAT A MINIMUM OF TWO WEEKS SHALL BE ALLOWED FOR THE DISTRICT TO OBTAIN THE REQUIRED ENVIRONMENTAL CLEARANCES.

WHERE SECTION OR SUBSECTION MONUMENTS ARE ENCOUNTERED, THE ENGINEER SHALL BE NOTIFIED BEFORE SUCH MONUMENTS ARE REMOVED. THE CONTRACTOR SHALL PROTECT AND CAREFULLY PRESERVE ALL MONUMENTS UNTIL AN AUTHORIZED SURVEYOR OR AGENT HAS WITNESSED OR OTHERWISE REFERENCED THEIR LOCATION. THE CONTRACTOR WILL BE RESPONSIBLE FOR HAVING AN AUTHORIZED SURVEYOR RE-ESTABLISH ANY SECTION OR SUBSECTION MONUMENTS DESTROYED BY HIS OPERATIONS.

THE THICKNESS OF THE HOT-MIX ASPHALT OVERLAY SHOWN ON THE PLANS IS THE NOMINAL THICKNESS FOR THE OVERLAY. DEVIATIONS FROM THE NOMINAL THICKNESS WILL ONLY BE PERMITTED WHEN SUCH DEVIATIONS OCCUR DUE TO IRREGULARITIES IN THE EXISTING SURFACE ON WHICH THE OVERLAY IS PLACED.

SEEDING WILL NOT BE PERMITTED AT ANY TIME WHEN THE GROUND IS FROZEN, WET, OR IN AN UNTILLABLE CONDITION.

THE HMA SURFACE OF ALL MAILBOX TURNOUTS, PRIVATE ENTRANCES, COMMERCIAL ENTRANCES, AND SIDE ROADS SHALL BE MADE NEATLY, IN A WORKMANLIKE MANNER, AND SHALL ACCURATELY CONFORM TO THE SHAPES AND DIMENSIONS SHOWN ON THE PLAN DETAILS. IF REQUIRED BY THE ENGINEER, THE CONTRACTOR SHALL BE REQUIRED TO SAW CUT THE HMA SURFACE TO CONFORM TO THE SHAPES AND DIMENSIONS SHOWN ON THE PLAN DETAILS. THIS WORK SHALL BE INCLUDED IN THE COST OF THE HMA SURFACE.

THE RESIDENT ENGINEER SHALL CONTACT THE TRAFFIC CONTROL SUPERVISOR AT (847) 705-4470 A MINIMUM OF 72 HOURS PRIOR TO THE PLACEMENT OF ANY TEMPORARY TRAFFIC CONTROL DEVICES. THE RESIDENT ENGINEER SHALL ALSO COORDINATE ALL TRAFFIC OPERATIONS WITH THE VILLAGE OF ROLLING MEADOWS PUBLIC WORKS DEPARTMENT AT (847) 963-0500.

AT ALL LOCATIONS WHERE THE PROPOSED HOT MIX ASPHALT OR CONCRETE PAVEMENT JOINS THE EXISTING HOT MIX ASPHALT OR CONCRETE PAVEMENT, A FULL DEPTH SAWED JOINT SHALL BE CONSTRUCTED. THE COST OF SAW CUTS AND JOINTS IS CONSIDERED AS INCLUDED IN THE COST OF THE TYPE OF PAVEMENT BEING CONSTRUCTED.

CONTINUOUS PAVING OPERATIONS ON THE MAIN ROADWAY SHALL BE MAINTAINED AT ALL TIMES DURING THE CONSTRUCTION OF THE HOT-MIX ASPHALT SURFACE. NO INTERRUPTIONS FOR SIDE ROADS, ENTRANCES, TURN LANES, ETC. WILL BE ALLOWED.

THE CONTRACTOR SHALL VERIFY ALL DIMENSIONS AND CONDITIONS IN THE FIELD PRIOR TO CONSTRUCTION AND ORDERING OF MATERIALS.

ESTIMATED QUANTITIES FOR FURNISHED EXCAVATION HAVE BEEN INCLUDED IN THE CONTRACT PLANS, DUE TO POTENTIAL SETTLEMENT DURING CONSTRUCTION. THESE QUANTITIES SHALL BE USED ONLY AS APPROVED BY THE ENGINEER.

THE ENGINEER WILL BE THE SOLE JUDGE CONCERNING CURING TIME FOR THE VARIOUS HMA LIFTS.

THE CONTRACTOR SHALL CONSULT WITH THE ENGINEER IN REGARD TO THE EXACT LENGTH OF THE BOX/PIPE CULVERTS, STORM SEWERS, AND/OR PIPE DRAINS REQUIRED PRIOR TO ORDERING THESE ITEMS.

THE WORK AND MATERIALS REQUIRED TO CONNECT ANY CULVERT OR SEWER TO ANOTHER DRAINAGE STRUCTURE OR PIPE WILL NOT BE PAID FOR SEPARATELY, BUT SHALL BE CONSIDERED AS INCLUDED IN THE CONTRACT UNIT PRICE BID FOR THE CULVERT OR SEWER ITEMS.

ALL ENGINEER'S FIELD OFFICES SHALL CONTAIN ONE FULLY-EQUIPPED FIRST-AID CABINET. THIS ITEM WILL NOT BE PAID FOR SEPARATELY, BUT SHALL BE CONSIDERED AS INCLUDED IN THE PAY ITEM FOR ENGINEER'S FIELD OFFICE.

ADD THE FOLLOWING SENTENCE TO THE END OF PARAGRAPH 670.02(D) AND 670.04(E):
ALL OF THE TELEPHONE LINES PROVIDED SHALL HAVE UNPUBLISHED NUMBERS.

THE RESIDENT ENGINEER AND/OR CONTRACTOR SHALL NOTIFY THE TRAFFIC STUDIES TECHNICIAN IN PROGRAM DEVELOPMENT AT LEAST ONE WEEK PRIOR TO THE INSTALLATION OF THE TRAFFIC COUNTER LOOP DETECTOR TO DETERMINE EXACT LOCATION.

THE CONTRACTOR SHALL REMOVE OR RELOCATE ALL CONFLICTING MAILBOXES, EXISTING STREET NAME SIGNS, AND ALL PRIVATE AND COMMERCIAL SIGNS IN ACCORDANCE WITH ARTICLES 107.20 & 107.25 AND AS DIRECTED BY THE ENGINEER. THE CONTRACTOR SHALL COORDINATE WITH THE POSTAL SERVICE TO ENSURE THAT RESIDENCES AND BUSINESSES IN THIS AREA WILL MAINTAIN MAIL SERVICE DURING CONSTRUCTION. SIGN LOCATIONS MAY BE ADJUSTED IN THE FIELD TO AVOID ANY FOUND UTILITIES AND AS DIRECTED BY THE ENGINEER. THIS WORK SHALL BE CONSIDERED AS INCLUDED IN THE COST OF EARTH EXCAVATION. ALL WOOD POST LOCATIONS SHALL BE VERIFIED WITH THE BUREAU OF OPERATIONS, TRAFFIC SECTION, BEFORE INSTALLATION.

IF ANY UNSUITABLE MATERIAL IS ENCOUNTERED DURING CONSTRUCTION, IT WILL BE NECESSARY TO REMOVE THE UNSUITABLE MATERIAL AND REPLACE IT WITH A SUITABLE MATERIAL AS APPROVED BY THE ENGINEER.

AT LOCATIONS WHERE CLEARING IS INDICATED ON THE PLANS BEYOND THE LIMITS OF THE PROPOSED EXCAVATION OR EMBANKMENT, THE CONTRACTOR SHALL RESTORE THE DISTURBED EARTH BY BALDING AND SHAPING TO BLEND WITH THE ADJACENT GROUND. THE CLEARING WILL NOT BE PAID FOR SEPARATELY BUT SHALL BE INCLUDED IN THE COST OF EARTH EXCAVATION. RESEEDING OR RESODDING WILL BE AS PROVIDED IN THE PLANS.

FOR STABILIZATION, ALL TYPE III BARRICADES SHALL REQUIRE A MINIMUM OF FOUR SAND BAGS PER BARRICADE.

THE CONTRACTOR SHALL SUBMIT TO THE ENGINEER A DESCRIPTION OF LOCATION, ELEVATION, AND COORDINATES FOR EACH PERMANENT SURVEY MARKER. THE ENGINEER SHALL SUBMIT THIS INFORMATION TO THE SURVEY CREW.

EXISTING FENCES SHALL BE REMOVED UP TO EXISTING RIGHT OF WAY WITHIN THE PROJECT LIMITS AND AS SHOWN IN THE PLANS. THIS WORK SHALL BE CONSIDERED AS INCLUDED IN THE COST OF EARTH EXCAVATION.

THE RESIDENT ENGINEER SHALL CONTACT WALTER CZARNY, AREA TRAFFIC FIELD ENGINEER AT (847) 715-8419 AT LEAST (2) WEEKS PRIOR TO PLACING PERMANENT PAVEMENT MARKINGS.

FILE NAME: \$FILES	USER NAME: \$USER#	DESIGNED: -	REVISED: -	STATE OF ILLINOIS DEPARTMENT OF TRANSPORTATION	INDEX OF SHEETS, STANDARDS, GENERAL NOTES & COMMITMENTS IL ROUTE 62 (ALGONQUIN ROAD) OVER SALT CREEK	F.A.U. RTE.	SECTION	COUNTY	TOTAL SHEETS	SHEET NO.	
	PLOT SCALE: \$SCALE#	DRAWN: -	REVISED: -			339	116-Y-2-BR-1	COOK	74	2	
	PLOT DATE: \$DATE#	CHECKED: -	REVISED: -			CONTRACT NO. 60J00					
		DATE: -	REVISED: -			SCALE: NONE	SHEET NO. 1 OF 1 SHEETS	STA.	TO STA.	FED. ROAD DIST. NO.	ILLINOIS FED. AID PROJECT

SUMMARY OF QUANTITIES

URBAN
80% FED.
20% STATE

URBAN
80% FED.
20% STATE

CODE NUMBER	ITEM	UNIT	TOTAL QUANTITY	X031-2A STRUCTURE	J000-2A ROADWAY	CODE NUMBER	ITEM	UNIT	TOTAL QUANTITY	X031-2A STRUCTURE	J000-2A ROADWAY
20200100	EARTH EXCAVATION	CU YD	1380		1380	48203021	HOT-MIX ASPHALT SHOULDERS, 6"	SQ YD	215		215
20201200	REMOVAL AND DISPOSAL OF UNSUITABLE MATERIAL	CU YD	1056		1056	50101500	REMOVAL OF EXISTING SUPERSTRUCTURES	EACH	1	1	
20300100	CHANNEL EXCAVATION	CU YD	80		80	50102400	CONCRETE REMOVAL	CU YD	64.4	64.4	
20400800	FURNISHED EXCAVATION	CU YD	300		300	50200100	STRUCTURE EXCAVATION	CU YD	98	98	
x2070304	POROUS GRANULAR EMBANKMENT, SPECIAL	CU YD	88	88		50300225	CONCRETE STRUCTURES	CU YD	134.3	134.3	
20800150	TRENCH BACKFILL	CU YD	230		230	50300255	CONCRETE SUPERSTRUCTURE	CU YD	394.8	394.8	
21101615	TOP SOIL FURNISH AND PLACE, 4"	SQ YD	240		240	50300260	BRIDGE DECK GROOVING	SQ YD	918	918	
25000210	SEEDING, CLASS 2A	ACRE	0.25		0.25	50300300	PROTECTIVE COAT	SQ YD	1101	1101	
25000400	NITROGEN FERTILIZER NUTRIENT	POUND	15		15	50500105	FURNISHING AND ERECTING STRUCTURAL STEEL	L SUM	1	1	
25000500	PHOSPHORUS FERTILIZER NUTRIENT	POUND	15		15	50500505	STUD SHEAR CONNECTORS	EACH	3672	3672	
25000600	POTASSIUM FERTILIZER NUTRIENT	POUND	15		15	50800205	REINFORCEMENT BARS, EPOXY COATED	POUND	105,780	105,780	
25100630	EROSION CONTROL BLANKET	SQ YD	544		544	50800515	BAR SPLICERS	EACH	655	655	
28000250	TEMPORARY EROSION CONTROL SEEDING	POUND	200		200	50901720	BICYCLE RAILING	FOOT	120	120	
28000400	PERIMETER EROSION BARRIER	FOOT	1122		1122	50901750	PARAPET RAILING	FOOT	120	120	
28000500	INLET AND PIPE PROTECTION	EACH	6		6	Z0026407	TEMPORARY SHEET PILING	SQ FT	894	894	
28000510	INLET FILTERS	EACH	15		15	51500100	NAME PLATES	EACH	1	1	
31101200	SUB BASE GRANULAR MATERIAL, TYPE B 4"	SQ YD	2458		2458	52000110	PREFORMED JOINT STRIP SEAL	FOOT	178	178	
31200502	STABILIZED SUB BASE -HOT-MIX ASPHALT, 4 1/2"	SQ YD	2758		2758	52100010	ELASTOMETRIC BEARING ASSEMBLY, TYPE I	EACH	12	12	
35501316	HOT-MIX ASPHALT BASE COURSE, 8"	SQ YD	58		58	52100505	ANCHOR BOLTS, 5/8"	EACH	24	24	
40600100	BITUMINOUS MATERIALS (PRIME COAT)	GALLON	266		266	52100520	ANCHOR BOLTS, 1"	EACH	24	24	
40603310	HOT-MIX ASPHALT SURFACE COURSE, MIX "C", N50	TON	6.5		6.5	550A0410	STORM SEWERS, CLASS A, TYPE 2 24"	FOOT	30		30
40603595	POLYMERIZED HOT-MIX ASPHALT SURFACE COURSE, MIX "F", N90	TON	40		40	55101200	STORM SEWER REMOVAL 24"	FOOT	30		30
42000506	PORTLAND CEMENT CONCRETE PAVEMENT 10 1/4" (JOINTED)	SQ YD	2152		2152	58700300	CONCRETE SEALER	SQ FT	930	930	
42001200	PAVEMENT FABRIC	SQ YD	2458		2458	59000200	EPOXY CRACK INJECTION	FOOT	15	15	
42001300	PROTECTIVE COAT	SQ YD	5952		5952	59100100	GEOCOMPOSITE WALL DRAIN	SQ YD	78	78	
42001420	BRIDGE APPROACH PAVEMENT CONNECTOR (PCC)	SQ YD	159		159	60109580	PIPE UNDERDRAINS FOR STRUCTURES 4"	FOOT	185	185	
42400200	PORTLAND CEMENT CONCRETE SIDEWALK 5 INCH	SQ FT	2660		2660	60300310	FRAMES AND LIDS TO BE ADJUSTED (SPECIAL)	EACH	14		14
42400800	DETECTABLE WARNINGS	SQ FT	15		15	60605000	COMBINATION CONCRETE CURB AND GUTTER, TYPE B-6.24	FOOT	470		470
44000100	PAVEMENT REMOVAL	SQ YD	2362		2362	* 63000001	STEEL PLATE BEAM GUARD RAIL, TYPE A, 6 FOOT POSTS	FOOT	262.5		262.5
44000157	HOT-MIX ASPHALT SURFACE REMOVAL, 2 "	SQ YD	342		342	* 63100085	TRAFFIC BARRIER TERMINAL, TYPE 6	EACH	4		4
44000200	DRIVEWAY PAVEMENT REMOVAL	SQ YD	58		58	* 63100167	TRAFFIC BARRIER TERMINAL, TYPE 1 (SPECIAL) TANGENT	EACH	4		4
44000500	COMBINATION CURB AND GUTTER REMOVAL	FOOT	692		692	63200310	GUARDRAIL REMOVAL	FOOT	612		612
44000600	SIDEWALK REMOVAL	SQ FT	2687		2687	66410300	CHAIN LINK FENCE REMOVAL	FOOT	200		200
Z0004552	APPROACH SLAB REMOVAL	SQ YD	374		374	66700095	PERMANENT SURVEY MARKERS	EACH	2		2
44003100	MEDIAN REMOVAL	SQ FT	946		946	67000400	ENGINEER'S FIELD OFFICE, TYPE A	CAL MO	12		12

*Specialty Items

FILE NAME =	USER NAME = #USER#	DESIGNED - SEW	REVISED -	STATE OF ILLINOIS DEPARTMENT OF TRANSPORTATION		SUMMARY OF QUANTITIES IL ROUTE 62 (ALGONQUIN ROAD) OVER SALT CREEK			F.A.P. RTE.	SECTION	COUNTY	TOTAL SHEETS	SHEET NO.
#FILE#		DRAWN - SEW	REVISED -						339	116-Y-2-BR-1	COOK	74	3
	PLOT SCALE = #SCALE#	CHECKED - FML	REVISED -						CONTRACT NO. 60J00				
	PLOT DATE = #DATE#	DATE - 5/2010	REVISED -						FED. ROAD DIST. NO. [ILLINOIS] FED. AID PROJECT				
				SCALE: NONE		SHEET NO. 1 OF 2 SHEETS		STA. TO STA.					

URBAN
80% FED.
20% STATE

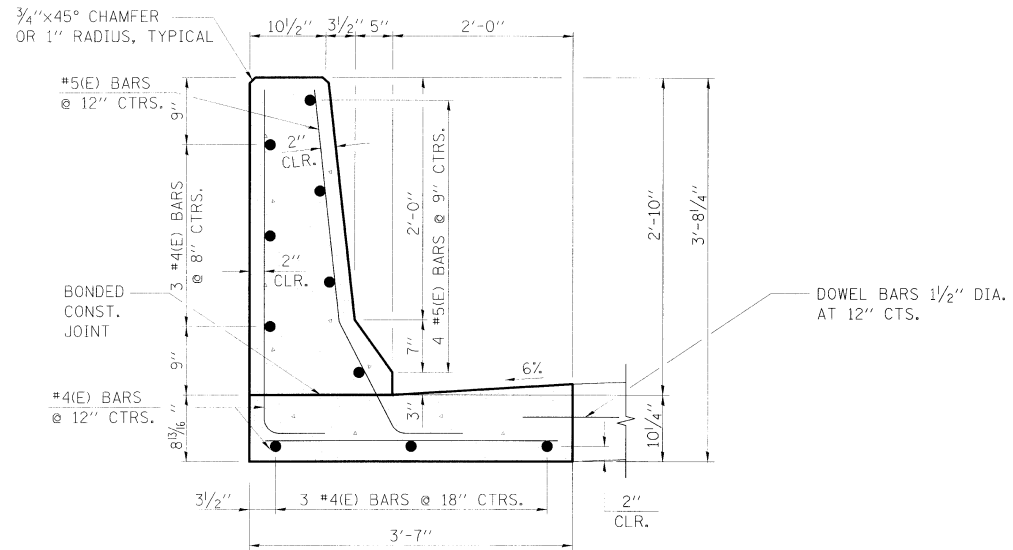
SUMMARY OF QUANTITIES

URBAN
80% FED.
20% STATE

CODE NUMBER	ITEM	UNIT	TOTAL QUANTITY	X031-2A STRUCTURE	J000-2A ROADWAY
67100100	MOBILIZATION	L SUM	1		1
70100460	TRAFFIC CONTROL AND PROTECTION, STANDARD 701306	L SUM	1		1
70102625	TRAFFIC CONTROL AND PROTECTION, STANDARD 701606	L SUM	1		1
70103817	TRAFFIC CONTROL SURVEILLANCE (SPECIAL)	CAL DA	90		90
70106800	CHANGEABLE MESSAGE SIGN	CAL MO	24		24
70301000	WORK ZONE PAVEMENT MARKING REMOVAL	SQ FT	4449		4449
70400100	TEMPORARY CONCRETE BARRIER	FOOT	787.5	125	662.5
70400200	RELOCATE TEMPORARY CONCRETE BARRIER	FOOT	600	125	475
72000100	SIGN PANEL - TYPE 1	SQ FT	10		10
78000100	THERMOPLASTIC PAVEMENT MARKING - LETTERS AND SYMBOLS	SQ FT	73		73
78000200	THERMOPLASTIC PAVEMENT MARKING - LINE 4"	FOOT	5851		5851
78000400	THERMOPLASTIC PAVEMENT MARKING - LINE 6"	FOOT	601		601
78000600	THERMOPLASTIC PAVEMENT MARKING - LINE 12"	FOOT	115		115
78000650	THERMOPLASTIC PAVEMENT MARKING - LINE 24"	FOOT	132		132
78008200	POLYUREA PAVEMENT MARKING TYPE I - LETTERS AND SYMBOLS	SQ FT	37		37
78008210	POLYUREA PAVEMENT MARKING TYPE I - LINE 4"	FOOT	2007		2007
78008230	POLYUREA PAVEMENT MARKING TYPE I - LINE 6"	FOOT	139		139
78008250	POLYUREA PAVEMENT MARKING TYPE I - LINE 12"	FOOT	50		50
78100100	RAISED REFLECTIVE PAVEMENT MARKER	EACH	72		72
78100105	RAISED REFLECTIVE PAVEMENT MARKER (BRIDGE)	EACH	10		10
78100300	REPLACEMENT REFLECTOR	EACH	50		50
78200410	GUARDRAIL MARKERS, TYPE A	EACH	12		12
78200530	BARRIER WALL MARKERS, TYPE C	EACH	212		212
78201000	TERMINAL MARKER - DIRECT APPLIED	EACH	4		4
78300100	PAVEMENT MARKING REMOVAL	SQ FT	3529		3529
78300200	RAISED REFLECTIVE PAVEMENT MARKER REMOVAL	EACH	82		82
* 81000600	CONDUIT IN TRENCH, 2" DIA., GALVANIZED STEEL	FOOT	53		53
* 81200230	CONDUIT EMBEDDED IN STRUCTURE, 2" DIA., PVC	FOOT	122		122
* 81900200	TRENCH AND BACKFILL FOR ELECTRICAL WORK	FOOT	53		53
* 87900200	DRILL EXISTING HANDHOLE	EACH	6		6
* 89000100	TEMPORARY TRAFFIC SIGNAL INSTALLATION	EACH	2		2
* 89502300	REMOVE ELECTRIC CABLE FROM CONDUIT	FOOT	1992		1992

CODE NUMBER	ITEM	UNIT	TOTAL QUANTITY	X031-2A STRUCTURE	J000-2A ROADWAY
Z0030850	TEMPORARY INFORMATION SIGNING	SQ FT	115		115
* Z0033090	ELECTRIC CABLE IN CONDUIT, TRACER, NO. 14 1C	FOOT	1023		1023
* Z0033060	PREFORMED DETECTOR LOOP	FOOT	128		128
Z0012755	STRUCTURAL REPAIR OF CONCRETE (DEPTH GREATER THAN 5 INCHES)	SQ FT	128	128	
Z0012754	STRUCTURAL REPAIR OF CONCRETE (DEPTH EQUAL TO OR LESS THAN 5 INCHES)	SQ FT	34	34	
Z0073510	TEMPORARY TRAFFIC SIGNAL TIMING	EACH	2		2
X7030104	WET PAVEMENT MARKING TEMPORARY TAPE, TYPE III, 4 INCH	FOOT	12771		12771
X7030124	WET PAVEMENT MARKING TEMPORARY TAPE, TYPE III, 24 INCH	FOOT	96		96
X4022000	TEMPORARY ACCESS (COMMERCIAL ENTRANCE)	EACH	1		1
* X8710020	FIBER OPTIC CABLE IN CONDUIT, NO.62.5/125, MM12F SM12F	FOOT	1049		1049
Z0001050	AGGREGATE SUBGRADE 12"	SQ YD	2514		2514
Z0013798	CONSTRUCTION LAYOUT	L SUM	1		1
Z0030260	IMPACT ATTENUATORS, TEMPORARY (FULLY REDIRECTIVE, NARROW), TEST LEVEL 3	EACH	4		4
Z0030330	IMPACT ATTENUATORS, RELOCATE (FULLY REDIRECTIVE), TEST LEVEL 3	EACH	2		2
Z0001900	ASBESTOS BEARING PAD REMOVAL	EACH	58	58	
XX008341	BRIDGE FENCE RAILING (SPECIAL)	SQ FT	364	364	
0 Z0076600	TRAINERS	HOUR	1000	1000	
63700160	CONCRETE BARRIER, SINGLE FACE, 34 INCH HEIGHT	FOOT	179		179

0 Y080
* speciality items



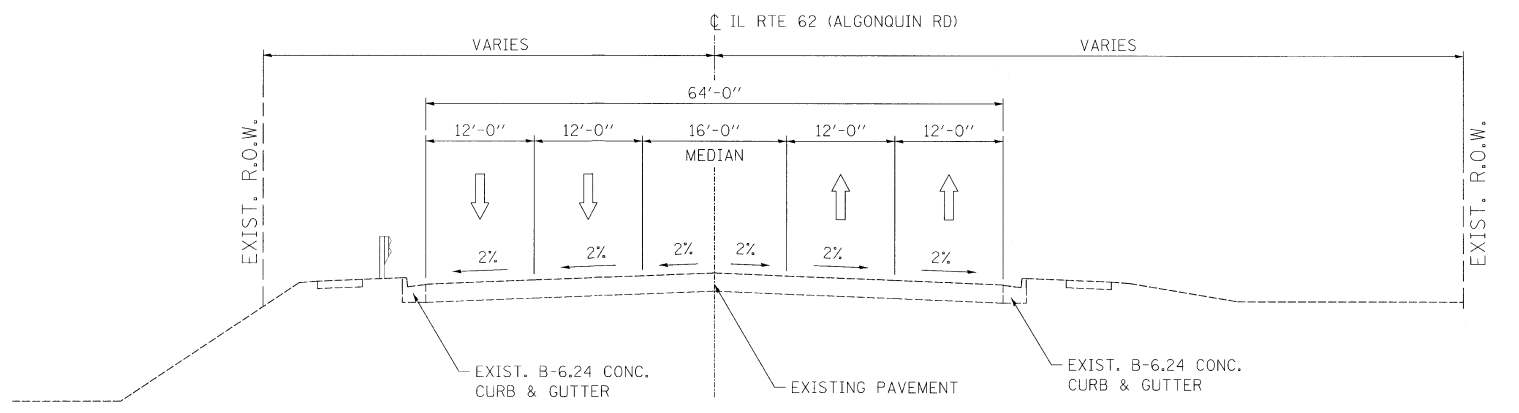
DETAIL A

- NOTES:
1. REINFORCEMENT BARS AND DOWEL BARS TO BE PROVIDED PER ABOVE DETAIL SHALL BE INCLUDED IN THE CONTRACT COST PER FOOT FOR "CONCRETE BARRIER, SINGLE FACE, 34 INCH HEIGHT".
 2. TRANSITION TO ABOVE CONFIGURATION FROM APPROACH ROADWAY PARAPET CONFIGURATION TO BE PROVIDED WITHIN LIMITS OF APPROACH ROADWAY PAVEMENT. THIS WORK SHALL BE INCLUDED IN THE CONTRACT COST PER CUBIC YARD FOR "CONCRETE SUPERSTRUCTURE".

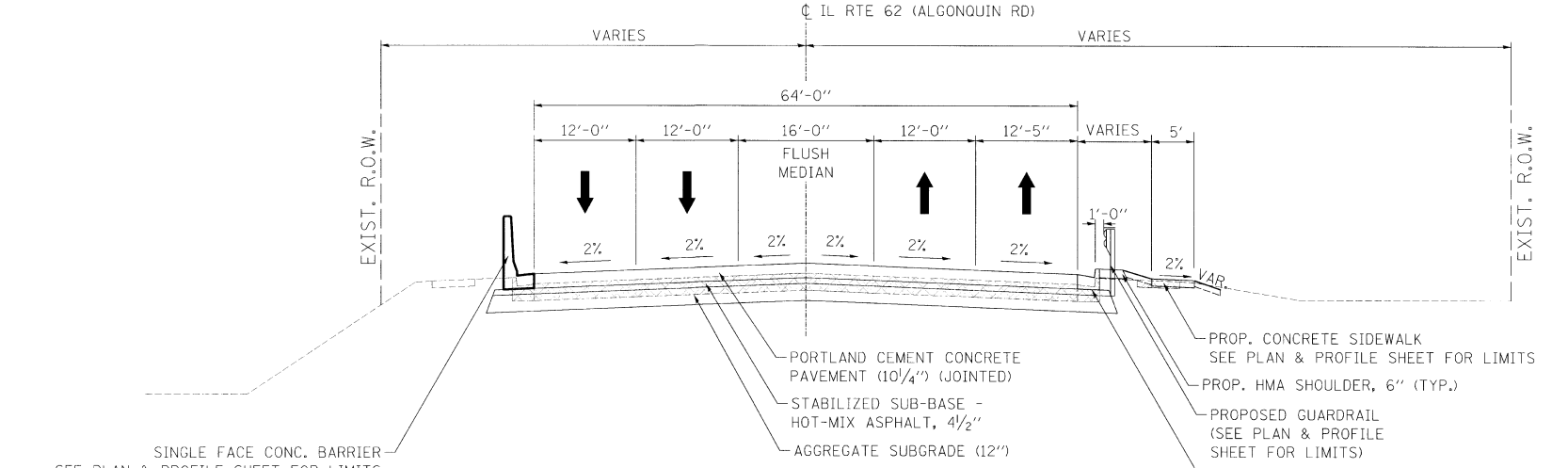
HOT-MIX ASPHALT MIXTURE REQUIREMENTS	
MIXTURE TYPE	AIR VOIDS
STABILIZED SUBBASE	
STABILIZED SUB-BASE - HOT-MIX ASPHALT, 4 1/2"	2% @ 30 Gyr.
PAVEMENT RESURFACING	
POLYMERIZED HOT-MIX ASPHALT SURFACE COURSE, MIX "F", N90, (IL 9.5), 2"	4% @ 90 Gyr.
HOT-MIX ASPHALT SHOULDERS, 6"	
HOT-MIX ASPHALT SHOULDER, HMA BINDER IL-19.0mm, 6"	2% @ 30 Gyr.
ENTRANCES AND DRIVEWAYS	
HOT-MIX ASPHALT SURFACE COURSE, MIX "C", N50, (IL 9.5); 2"	4% @ 50 Gyr.
HOT-MIX ASPHALT BASE COURSE, HMA BINDER IL-19.0; 8"	4% @ 50 Gyr.

THE UNIT WEIGHT USED TO CALCULATE ALL HMA SURFACE MIXTURE QUANTITIES IS 112 LBS/SQ YD/IN.

THE "AC TYPE" FOR POLYMERIZED HMA MIXES SHALL BE "SBS/SBR PG 70-22" AND FOR NON-POLYMERIZED HMA THE "AC TYPE" SHALL BE "PG 64-22" UNLESS MODIFIED BY DISTRICT ONE SPECIAL PROVISIONS. FOR "PERCENT OF RAP" SEE DISTRICT ONE SPECIAL PROVISIONS.

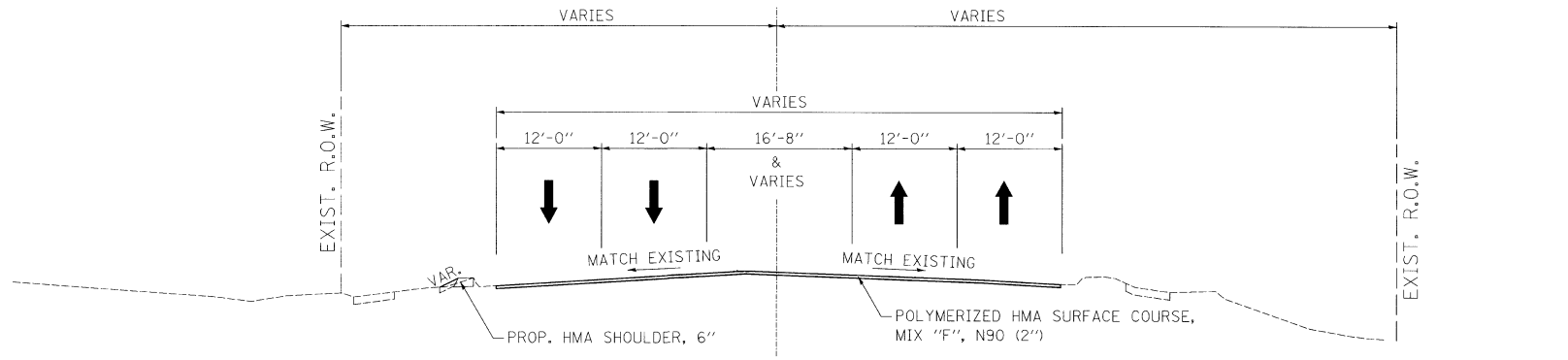


EXISTING TYPICAL SECTION



PROPOSED TYPICAL SECTION

STA. 97+76.50 TO STA. 99+28.28
 STA. 100+71.88 TO STA. 102+22.50



PROPOSED TYPICAL SECTION

STA. 102+22.50 TO STA. 102+72.44

EARTHWORK

LOCATION	EARTH EXCAVATION	EMBANKMENT	EARTH EXCAVATION ADJ. FOR SHRINKAGE	CHANNEL EXCAVATION	CHANNEL EXCAVATION ADJ. FOR SHRINKAGE	REMOVAL AND DISPOSAL OF UNSUITABLE MATERIAL WASTE (+)
STATION TO STATION	CU. YD.					
95+50 TO 96+00	4.3		3.7	JOB SITE	JOB SITE	3.7
96+00 TO 96+50	3.3		2.8			2.8
96+50 TO 97+00	3.5		3.0			3.0
97+00 TO 97+50	3.7		3.1			3.1
97+50 TO 98+00	103.1	9.9	87.6			77.7
98+00 TO 98+29	118.4	9.5	100.6			91.1
98+29 TO 98+50	76.8	4.7	65.3			60.6
98+50 TO 99+00	141.1	11.5	119.9			108.4
99+00 TO 99+69	113.1	35.9	96.1			60.2
100+31 TO 101+00	147.1	58.7	125.0			66.3
101+00 TO 101+50	156.0	24.2	132.6			108.4
101+50 TO 102+00	180.2	21.5	153.2			131.7
102+00 TO 102+50	95.8	8.3	81.4			73.1
CHANNEL				80	68	68.0
STORM SEWER	233.0		198.1			198.1
TOTAL	1380.0					1056.0

NOTE:

SHRINKAGE FACTOR = 15% FOR EARTH AND CHANNEL EXCAVATION.
 CHANNEL EXCAVATION ASSUMED TO BE SUITABLE MATERIAL, AND IS INCLUDED IN EARTHWORK BALANCE.
 CHANNEL EXCAVATION TOTAL IS AN ESTIMATE AND IS ROUNDED TO THE NEAREST 1 CU. YD.

TRENCH BACKFILL

LOCATION	QUANTITY
STATION OFFSET	(CU YD)
99+38 TO 99+68 LT	230
TOTAL	230

FURNISHED EXCAVATION

LOCATION	QUANTITY
JOB SITE	300
TOTAL	300

TOPSOIL FURNISH AND PLACE, 4"

LOCATION	QUANTITY
STATION LENGTH (SQ YD)	(SQ YD)
95+50.00 TO 96+00.00 50.00	2.25
96+00.00 TO 96+50.00 50.00	2.62
96+50.00 TO 97+00.00 50.00	4.72
97+00.00 TO 97+50.00 50.00	5.96
97+50.00 TO 98+00.00 50.00	8.50
98+00.00 TO 98+29.06 29.06	5.45
98+29.06 TO 98+50.00 20.94	9.68
98+50.00 TO 99+00.00 50.00	28.48
99+00.00 TO 99+69.33 69.33	40.07
100+30.67 TO 101+00.00 69.33	66.38
101+00.00 TO 101+50.00 50.00	27.91
101+50.00 TO 102+00.00 50.00	23.86
102+00.00 TO 102+50.00 50.00	14.00
TOTAL	240

SEEDING, CLASS 2A

LOCATION	QUANTITY
STATION OFFSET (ACRE)	(ACRE)
94+88.34 TO 99+12.04 LT	0.02
100+89.46 TO 102+72.46 LT	0.01
97+76.47 TO 98+07.35 RT	0.001
98+41.12 TO 99+79.06 RT	0.02
100+34.03 TO 102+60.62 RT	0.05
TOTAL	0.25

NITROGEN FERTILIZER NUTRIENT

LOCATION	QUANTITY	QUANTITY
STATION OFFSET (ACRE)	(ACRE)	(POUNDS)
94+88.34 TO 99+12.04 LT	0.02	2
100+89.46 TO 102+72.46 LT	0.01	1
97+76.47 TO 98+07.35 RT	0.00	1
98+41.12 TO 99+79.06 RT	0.02	2
100+34.03 TO 102+60.62 RT	0.05	5
(APPLICATION RATE = 90 LB/ACRE)	TOTAL	15

PHOSPHOROUS FERTILIZER NUTRIENT

LOCATION	QUANTITY	QUANTITY
STATION OFFSET (ACRE)	(ACRE)	(POUNDS)
94+88.34 TO 99+12.04 LT	0.02	2
100+89.46 TO 102+72.46 LT	0.01	1
97+76.47 TO 98+07.35 RT	0.00	1
98+41.12 TO 99+79.06 RT	0.02	2
100+34.03 TO 102+60.62 RT	0.05	5
(APPLICATION RATE = 90 LB/ACRE)	TOTAL	15

POTASSIUM FERTILIZER NUTRIENT

LOCATION	QUANTITY	QUANTITY
STATION OFFSET (ACRE)	(ACRE)	(POUNDS)
94+88.34 TO 99+12.04 LT	0.02	2
100+89.46 TO 102+72.46 LT	0.01	1
97+76.47 TO 98+07.35 RT	0.00	1
98+41.12 TO 99+79.06 RT	0.02	2
100+34.03 TO 102+60.62 RT	0.05	5
(APPLICATION RATE = 90 LB/ACRE)	TOTAL	15

EROSION CONTROL BLANKET

LOCATION	QUANTITY
STATION OFFSET (SQ YD)	(SQ YD)
94+88.34 TO 99+12.04 LT	120.0
100+89.46 TO 102+72.46 LT	58.4
97+76.47 TO 98+07.35 RT	3.0
98+41.12 TO 99+79.06 RT	114.2
100+34.03 TO 102+60.62 RT	247.7
TOTAL	544.0

FILE NAME =	USER NAME = USER*	DESIGNED - SEW	REVISED -	<p align="center">STATE OF ILLINOIS DEPARTMENT OF TRANSPORTATION</p>	<p align="center">SCHEDULE OF QUANTITIES IL ROUTE 62 (ALGONQUIN ROAD) OVER SALT CREEK</p>		F.A.P. RTE. 339	SECTION 116-Y-2-BR-1	COUNTY COOK	TOTAL SHEETS 74	SHEET NO. 6
#FILE#		DRAWN - SEW	REVISED -		SCALE:	SHEET NO. OF SHEETS	STA. TO STA.	FED. ROAD DIST. NO.	ILLINOIS FED. AID PROJECT	CONTRACT NO. 60J00	
		CHECKED - FML	REVISED -								
		DATE - 5/2010	REVISED -								

TEMPORARY EROSION CONTROL SEEDING

LOCATION	QUANTITY (POUND)
JOBSITE	200
TOTAL	200

PERIMETER EROSION BARRIER

LOCATION	QUANTITY (FOOT)	
STATION	OFFSET	
94+88.32 TO 99+62.64	LT	475
100+24.12 TO 102+72.36	LT	249
97+76.47 TO 98+07.35	RT	31
98+41.12 TO 99+79.06	RT	139
100+34.03 TO 102+60.52	RT	228
TOTAL		1122

INLET AND PIPE PROTECTION

LOCATION	QUANTITY (EACH)	
STA.	OFFSET	
98+61	46.6 LT	1
98+69	47.3 RT	1
99+21	69.7 RT	1
100+79	65.6 RT	1
100+97	60.2 RT	1
102+07	37.9 LT	1
TOTAL		6

INLET FILTERS

LOCATION	QUANTITY (EACH)	
STA.	OFFSET	
94+85	32.7 LT	1
95+79	32.7 LT	1
96+83	32.4 LT	1
98+07	17.3 RT	1
98+07	17.7 LT	1
98+14	0.5 RT	1
98+57	33.4 RT	1
98+79	32.7 LT	1
99+34	19.1 RT	1
99+38	18.5 LT	1
100+64	34.0 RT	1
100+68	0.6 RT	1
100+69	34.8 LT	1
101+93	33.4 LT	1
101+94	33.5 RT	1
TOTAL		15

STABILIZED SUB-BASE -
HOT-MIX ASPHALT, 4 1/2"

LOCATION	QUANTITY (SQ YD)	
STATION	OFFSET	
97+76.50 TO 99+28.28	LT/RT	1400
100+71.88 TO 102+22.50	LT/RT	1358
TOTAL		2758

HOT-MIX ASPHALT BASE COURSE, 8"

LOCATION	QUANTITY (SQ YD)	
STATION	OFFSET	
98+05.15 TO 98+52.75	RT	58
(COMMERCIAL ENTRANCE)	TOTAL	58

BITUMINOUS MATERIALS
(PRIME COAT)

LOCATION	QUANTITY (GAL)	
STATION	AREA (SQ. YD.)	
98+05.15 TO 98+52.75	58	87
102+22.50 TO 102.72.44	358	179
TOTAL		266

HOT-MIX ASPHALT SURFACE COURSE,
MIX "C", N50

LOCATION	QUANTITY (TON)
STATION	
COMMERCIAL ENTRANCE	6.5
98+05.15 TO 98+52.75	
TOTAL	6.5

POLYMERIZED HOT-MIX ASPHALT SURFACE COURSE
MIX "F", N90

LOCATION	QUANTITY (TON)
STATION	
102+22.50 TO 102+72.44	40
TOTAL	40

PORTLAND CEMENT CONCRETE PAVEMENT
10 1/4" (JOINTED)

LOCATION	QUANTITY (SQ YD)
STATION	
97+76.50 TO 99+28.28	1080
100+71.88 TO 102+22.50	1072
TOTAL	2152

PAVEMENT FABRIC

LOCATION	QUANTITY (SQ YD)
STATION	
97+76.50 TO 99+28.28	1247
100+71.88 TO 102+22.50	1211
TOTAL	2458

PROTECTIVE COAT

LOCATION	QUANTITY (SQ YD)
STATION	
SIDEWALK	
98+41 TO 99+76 RT	76.7
100+66 TO 102+23 RT	86.1
98+00 TO 99+64 LT	90.6
100+24 TO 101+00 LT	42.2
SUBTOTAL =	x2 COATS 591.2
STATION	
CURB & GUTTER	
97+76.50 TO 98+00.00 LT	7.9
97+76.50 TO 99+44.66 RT	56.2
101+00.00 TO 102+22.50 LT	40.9
100+66.11 TO 102+22.50 RT	52.2
SUBTOTAL =	x2 COATS 314.4
STATION	
PCC PAVEMENT	
97+76.50 TO 99+39.37	1158.0
100+60.67 TO 102+22.50	1151.3
SUBTOTAL =	x2 COATS 4618.6
STATION	
SINGLE FACE BARRIER WALL	
98+00.00 TO 99+34.01	160.3
100+55.10 TO 101+00.00	53.8
SUBTOTAL =	x 2 COATS 428.2
TOTAL	5952

BRIDGE APPROACH PAVEMENT CONNECTOR (PCC)

LOCATION	QUANTITY (SQ YD)
STATION	
99+28.28 TO 99+39.34	79
100+60.67 TO 100+71.88	80
TOTAL	159

PORTLAND CEMENT CONCRETE
SIDEWALK, 5 INCH

LOCATION	QUANTITY
STATION	(SQ FT)
98+41 TO 99+76 RT	690
100+66 TO 102+23 RT	775
98+00 TO 99+64 LT	815
100+24 TO 101+00 LT	380
TOTAL	2660

DETECTABLE WARNINGS

LOCATION	QUANTITY
STATION	OFFSET (SQ FT)
98+45	RT 15
TOTAL	15

PAVEMENT REMOVAL

LOCATION	QUANTITY
STATION	(SQ YD)
97+76.50 TO 99+45.25	1196
100+58.09 TO 102+22.50	1166
TOTAL	2362

HOT-MIX ASPHALT SURFACE REMOVAL, 2"

LOCATION	QUANTITY
STATION	(SQ YD)
102+22.50 TO 102+72.44	342
TOTAL	342

DRIVEWAY PAVEMENT REMOVAL

LOCATION	QUANTITY
STATION	(SQ. YD.)
COMMERCIAL ENTRANCE	58
98+05.15 TO 98+52.69	
TOTAL	58

COMBINATION CURB AND
GUTTER REMOVAL

LOCATION	QUANTITY
STATION	OFFSET (FOOT)
97+76.50 TO 99+39.94	LT 164
97+76.50 TO 99+45.45	RT 169
100+24.98 TO 102+22.50	LT 198
100+61.74 TO 102+22.50	RT 161
TOTAL	692

SIDEWALK REMOVAL

LOCATION	QUANTITY
STATION	OFFSET (SQ FT)
98+41 TO 99+76	RT 643
100+37 TO 102+23	RT 903
98+00 TO 99+62	LT 778
100+24 TO 101+00	LT 363
TOTAL	2687

APPROACH SLAB REMOVAL

LOCATION	QUANTITY
STATION	(SQ YD)
99+40.21 TO 99+70.95	183
100+28.89 TO 100+61.18	191
TOTAL	374

MEDIAN REMOVAL

LOCATION	QUANTITY
STATION	(SQ FT)
99+45.29 TO 99+70.95	344
100+28.89 TO 100+61.18	374
101+92.32 TO 102+74.75	228
TOTAL	946

HOT-MIX ASPHALT SHOULDERS, 6"

LOCATION	QUANTITY
STATION	OFFSET (SQ. YD.)
98+47 TO 99+75	RT 27
94+95 TO 98+00	LT 98
100+37 TO 102+01	RT 37
101+00 TO 102+73	LT 53
TOTAL	215

STORM SEWERS, CLASS A, TYPE 2, 24"

LOCATION	QUANTITY
STATION	OFFSET (FOOT)
99+38 TO 99+68	LT 30
TOTAL	30

STORM SEWER REMOVAL 24"

LOCATION	QUANTITY
STATION	OFFSET (FOOT)
99+38 TO 99+68	LT 30
TOTAL	30

FRAMES AND LIDS TO BE ADJUSTED (SPECIAL)

LOCATION	QUANTITY
STATION	OFFSET (EACH)
98+06.78	17.3 RT 1
98+07.03	17.7 LT 1
98+14.43	0.4 RT 1
98+56.72	33.4 RT 1
98+69.31	47.3 RT 1
98+79.15	32.6 LT 1
99+33.96	19.1 RT 1
99+38.03	18.5 LT 1
100+64.26	34.0 RT 1
100+68.39	0.5 RT 1
100+69.00	34.8 LT 1
101+93.34	33.4 LT 1
101+94.54	33.5 RT 1
102+07.00	37.8 LT 1
TOTAL	14

COMBINATION CONCRETE CURB
AND GUTTER, TYPE B-6.24

LOCATION	QUANTITY
STATION	OFFSET (FOOT)
97+76.43 TO 99+44.66	RT 168
97+76.58 TO 98+00.00	LT 23
100+66.11 TO 102+22.48	RT 156
101+00.00 TO 102+22.52	LT 123
TOTAL	470

STEEL PLATE BEAM GUARD RAIL, TYPE A, 6 FOOT POSTS

LOCATION	QUANTITY
STATION	OFFSET (FOOT)
95+69.59 TO 97+56.85	LT 187.5
99+04.16 TO 99+16.66	RT 12.5
101+09.80 TO 101+22.30	RT 12.5
101+43.15 TO 101+93.05	LT 50.0
TOTAL	262.5

TRAFFIC BARRIER TERMINAL, TYPE 6

LOCATION		QUANTITY
STATION	OFFSET	(EACH)
97+56.85 TO 98+00.06	LT	1
99+16.66 TO 99+60.47	RT	1
100+66.05 TO 100+09.80	RT	1
100+99.50 TO 101+43.15	LT	1
TOTAL		4

TRAFFIC BARRIER TERMINAL, TYPE 1
(SPECIAL) TANGENT

LOCATION		QUANTITY
STATION	OFFSET	(EACH)
95+19.64 TO 95+69.59	LT	1
98+54.11 TO 99+04.16	RT	1
101+22.30 TO 101+72.30	RT	1
101+93.05 TO 102+43.00	LT	1
TOTAL		4

GUARDRAIL REMOVAL

LOCATION		QUANTITY
STATION	OFFSET	(FOOT)
95+38.56 TO 99+65.05	LT	427
99+01.22 TO 99+72.33	RT	72
100+24.91 TO 101+37.39	LT	113
TOTAL		612

CONCRETE BARRIER, SINGLE FACE,
34 INCH HEIGHT

LOCATION		QUANTITY
STATION	OFFSET	(FOOT)
98+00.00 TO 99+34.01	LT	134
100+55.10 TO 101+00.00	LT	45
TOTAL		179

CHAIN LINK FENCE REMOVAL

LOCATION		QUANTITY
STATION	OFFSET	(FOOT)
99+47.36 TO 100+33.29	LT	100
99+66.10 TO 100+53.00		100
TOTAL		200

PERMANENT SURVEY MARKERS

LOCATION	QUANTITY
	(EACH)
JOBSITE	2
TOTAL	2

ENGINEER'S FIELD OFFICE, TYPE A

LOCATION	QUANTITY
	(CAL MO)
JOBSITE	12
TOTAL	12

MOBILIZATION

LOCATION	QUANTITY
	(L SUM)
JOBSITE	1
TOTAL	1

TRAFFIC CONTROL AND PROTECTION,
STANDARD 701306

LOCATION	QUANTITY
	(L SUM)
JOBSITE	1
TOTAL	1

TRAFFIC CONTROL AND PROTECTION,
STANDARD 701606

LOCATION	QUANTITY
	(L SUM)
JOBSITE	1
TOTAL	1

TRAFFIC CONTROL SURVEILLANCE (SPECIAL)

LOCATION	QUANTITY
	(CAL DAY)
JOBSITE	90
TOTAL	90

CHANGEABLE MESSAGE SIGN

LOCATION	QUANTITY
	(CAL MO)
JOBSITE	24
TOTAL	24

WORK ZONE PAVEMENT MARKING REMOVAL

LOCATION	QUANTITY
STATION	(SQ FT)
STAGE 1	2425
STAGE 2	2024
TOTAL	4449

TEMPORARY CONCRETE BARRIER

LOCATION	QUANTITY
STATION	(FOOT)
STAGE 1	475.0
ADDITIONAL FOR STAGE 2	187.5
TOTAL	662.5

RELOCATE TEMPORARY CONCRETE BARRIER

LOCATION	QUANTITY
STATION	(FOOT)
STAGE 2	475.0
TOTAL	475.0

SIGN PANEL - TYPE 1

LOCATION		QUANTITY
STATION	OFFSET	(SQ FT)
103+46	RT	5
103+62	LT	5
TOTAL		10

THERMOPLASTIC PAVEMENT MARKING - LETTERS AND SYMBOLS

LOCATION STATION	QUANTITY (SQ. FT.)
97+10	15.6
97+40	20.8
96+00	15.6
96+30	20.8
TOTAL	73

THERMOPLASTIC PAVEMENT MARKING - LINE 4"

LOCATION STATION	QUANTITY (FOOT)
SKIP - DASH WHITE	
95+68 TO 97+77 LT	52
95+68 TO 97+77 RT	52
102+23 TO 102+72 LT	12
102+23 TO 102+72 RT	12
103+43 TO 115+00 LT	289
103+43 TO 115+00 RT	289
87+81 TO 95+00 LT	180
87+81 TO 95+00 RT	180
DOUBLE YELLOW	
95+68 TO 97+77 LT/RT	418
95+68 TO 97+77 RT/RT	418
102+23 TO 102+72 LT/RT	98
102+23 TO 102+72 RT/RT	98
103+43 TO 115+00 LT/RT	2314
87+81 TO 95+00 LT/RT	1438
TOTAL	5851

THERMOPLASTIC PAVEMENT MARKING - LINE 6"

LOCATION STATION	QUANTITY (FOOT)
SOLID WHITE	
95+68 TO 97+53 LT	185
102+69 TO 102+23 RT	46
103+43 TO 105+28 RT	185
93+15 TO 95+00 RT	185
TOTAL	601

THERMOPLASTIC PAVEMENT MARKING - LINE 12"

LOCATION STATION	QUANTITY (FOOT)
SOLID YELLOW	
95+68 TO 97+77 RT	12
102+23 TO 102+72 LT	3
103+43 TO 115+00 LT/RT	50
87+81 TO 95+00 LT/RT	50
TOTAL	115

THERMOPLASTIC PAVEMENT MARKING - LINE 24"

LOCATION STATION	QUANTITY (FOOT)
SOLID WHITE	
95+65	36
102+72	36
103+43	36
95+00	24
TOTAL	132

POLYUREA PAVEMENT MARKING TYPE I - LETTERS AND SYMBOLS

LOCATION STATION	QUANTITY (SQ. FT.)
100+95	15.6
101+25	20.8
TOTAL	37

POLYUREA PAVEMENT MARKING TYPE I - LINE 4"

LOCATION STATION	QUANTITY (FOOT)
SKIP - DASH WHITE	
97+77 TO 102+23 LT	112
97+77 TO 102+23 RT	112
DOUBLE YELLOW	
97+77 TO 102+23 LT/RT	892
97+77 TO 102+23 RT/RT	892
TOTAL	2007

POLYUREA PAVEMENT MARKING TYPE I - LINE 6"

LOCATION STATION	QUANTITY (FOOT)
SOLID WHITE	
100+84 TO 102+23 RT	139
TOTAL	139

POLYUREA PAVEMENT MARKING TYPE I - LINE 12"

LOCATION STATION	QUANTITY (FOOT)
SOLID YELLOW	
97+77 TO 102+23 LT/RT	50
TOTAL	50

RAISED REFLECTIVE PAVEMENT MARKER

LOCATION STATION	OFFSET	QUANTITY (EACH)
95+66 TO 99+40	LT/RT	45
100+60 TO 102+72	LT/RT	27
TOTAL		72

RAISED REFLECTIVE PAVEMENT MARKER (BRIDGE)

LOCATION STATION	OFFSET	QUANTITY (EACH)
99+40 TO 100+60	LT/RT	10
TOTAL		10

REPLACEMENT REFLECTOR

LOCATION STATION	OFFSET	QUANTITY (EACH)
103+43 TO 115+00	LT/RT	30
87+81 TO 95+00	LT/RT	20
TOTAL		50

GUARDRAIL MARKERS, TYPE A

LOCATION STATION TO STATION	QUANTITY (EACH)
95+20 TO 98+00	4
98+57 TO 99+76	4
101+00 TO 102+43	4
TOTAL	12

BARRIER WALL MARKERS, TYPE C

LOCATION JOBSITE	QUANTITY (EACH)
TEMPORARY CONCRETE BARRIER	212
TOTAL	212

TERMINAL MARKER - DIRECT APPLIED

LOCATION STATION	OFFSET	QUANTITY (EACH)
NE CORNER	LT	1
NW CORNER	LT	1
SE CORNER	RT	1
SW CORNER	RT	1
TOTAL		4

PAVEMENT MARKING REMOVAL

LOCATION	QUANTITY
STATION TO STATION	(SQ FT)
87+81 TO 115+00	3529
TOTAL	3529

RAISED REFLECTIVE
PAVEMENT MARKER REMOVAL

LOCATION	QUANTITY
STATION TO STATION	(EACH)
97+76.50 TO 102+72.44	82
TOTAL	82

TEMPORARY INFORMATION SIGNING

LOCATION	QUANTITY
STATION TO STATION	(SQ FT)
JOBSITE	115
TOTAL	115

WET REFLECTIVE
TEMPORARY TAPE, TYPE III 4"

LOCATION	QUANTITY
STATION	(FOOT)
WHITE	
STAGE 1	
87+81 TO 95+07 LT/RT	782
95+42 TO 102+85 LT/RT	837
103+35 TO 110+41 LT/RT	751
STAGE 2	
92+64 TO 103+10 LT/RT	1096
103+55 TO 104+81 LT/RT	230
105+06 TO 108+74 RT	392
109+16 TO 110+96 RT	185
SUBTOTAL =	4273
YELLOW	
SOLID YELLOW	
STAGE 1	
88+64 TO 93+81 LT/RT	517
90+45 TO 93+81 LT	336
104+60 TO 115+00 LT/RT	1040
104+60 TO 115+00 LT	1040
STAGE 2	
88+00 TO 94+82 RT	738
91+87 TO 94+82 LT/RT	295
104+67 TO 110+96 LT/RT	629
104+67 TO 110+96 LT/RT	629
DOUBLE YELLOW	
STAGE 1	
93+81 TO 94+65 LT	168
95+65 TO 102+38 LT	1346
103+75 TO 104+60 LT	170
STAGE 2	
95+66 TO 102+71 RT	1410
103+77 TO 104+67 RT	180
SUBTOTAL =	8498
TOTAL	12771

WET REFLECTIVE
TEMPORARY TAPE, TYPE III, 24"

LOCATION	QUANTITY
STATION	(FOOT)
SOLID WHITE	
STAGE 1	
94+64 LT	12
95+67 LT	12
102+37 LT	12
103+76 LT	12
STAGE 2	
94+81 RT	12
95+67 RT	12
102+70 RT	12
103+78 RT	12
TOTAL	96

TEMPORARY ACCESS (COMMERCIAL ENTRANCE)

LOCATION	QUANTITY
STATION	(EACH)
98+29 RT	1
TOTAL	1

AGGREGATE SUBGRADE 12"

LOCATION	QUANTITY
STATION	OFFSET (SQ YD)
97+76.50 TO 99+28.28	LT/RT 1276.1
100+71.88 TO 102+22.50	LT/RT 1237.4
TOTAL	2514

CONSTRUCTION LAYOUT

LOCATION	QUANTITY
JOBSITE	(L SUM) 1
TOTAL	1

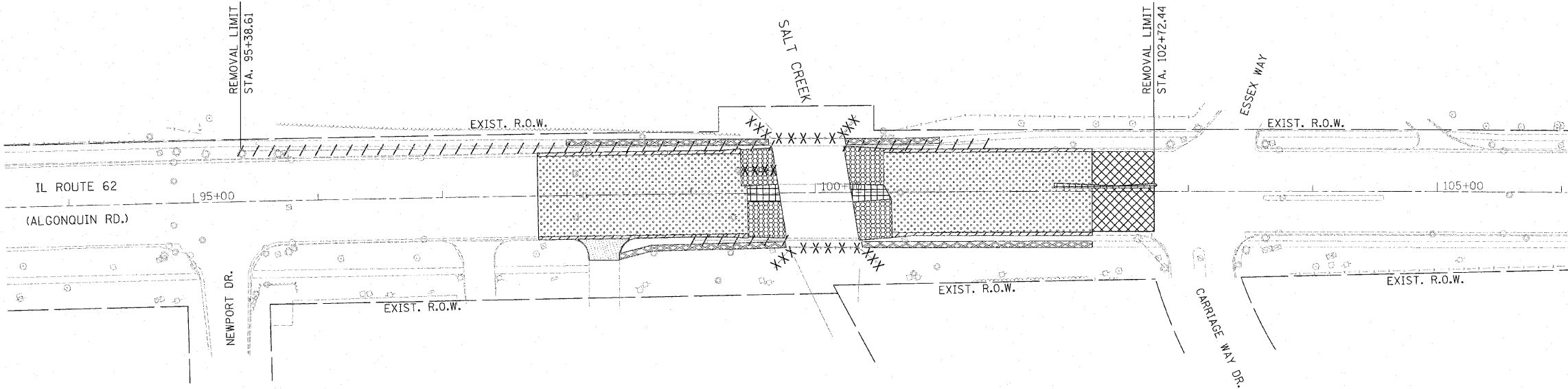
IMPACT ATTENUATORS, TEMPORARY
(FULLY REDIRECTIVE, NARROW), TEST LEVEL 3

LOCATION	QUANTITY
STATION	(EACH)
STAGE 1	4
TOTAL	4

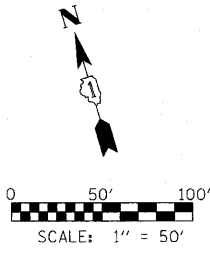
IMPACT ATTENUATORS, RELOCATE
(FULLY REDIRECTIVE, NARROW), TEST LEVEL 3

LOCATION	QUANTITY
STATION	(EACH)
STAGE 2	2
TOTAL	2

NOTE:
 CONTRACTOR SHALL EXERCISE CARE DURING REMOVAL AND CONSTRUCTION OPERATIONS TO PREVENT DAMAGE OF NEARBY USGS GAGE FACILITY, AND APPURTENANCES MOUNTED ON THE EXISTING BRIDGE. THE CONTRACTOR SHALL CONTACT USGS PRIOR TO BEGINNING REMOVAL AND CONSTRUCTION OPERATIONS.



- LEGEND FOR REMOVAL ITEMS:**
- APPROACH SLAB REMOVAL
 - DRIVEWAY PAVEMENT REMOVAL
 - PAVEMENT REMOVAL
 - HMA SURFACE REMOVAL, 2"
 - MEDIAN REMOVAL
 - COMBINATION CURB AND GUTTER REMOVAL
 - GUARD RAIL REMOVAL
 - SIDEWALK REMOVAL
 - CHAIN LINK FENCE REMOVAL
 - STORM SEWER REMOVAL



FILE NAME = #FILEL#	USER NAME = #USER#	DESIGNED - SEW	REVISED -	STATE OF ILLINOIS DEPARTMENT OF TRANSPORTATION	REMOVAL PLAN IL ROUTE 62 (ALGONQUIN ROAD) OVER SALT CREEK			F.A.P. RTE.	SECTION	COUNTY	TOTAL SHEETS	SHEET NO.
	PLOT SCALE = #SCALE#	DRAWN - SEW	REVISED -		339	116-Y-2-BR-1	COOK	74	13			
PLOT DATE = #DATE#	CHECKED - FML	REVISED -			SCALE: 1" = 50' SHEET NO. 1 OF 1 SHEETS STA. TO STA.			CONTRACT NO. 60J00				
	DATE - 2/2010	REVISED -			FED. ROAD DIST. NO. ILLINOIS FED. AID PROJECT							

EXIST. CURVE ALGONQU-1
PI STA. = 106+67.59
 $\Delta = 4^{\circ} 09' 11''$ (RT)
D = 0° 10' 16"
R = 33,482.28'
T = 1,214.00'
L = 2,426.94'
E = 22.00'
e = NC
T.R. =
S.E. RUN =
P.C. STA. = 94+53.59
P.T. STA. = 118+80.52

DATE	BY
REVISIONS	
NO.	DESCRIPTION
1	ISSUED FOR CONSTRUCTION
2	ALIGNMENT CHECKED
3	FIELD FILE NAME
4	ADDED

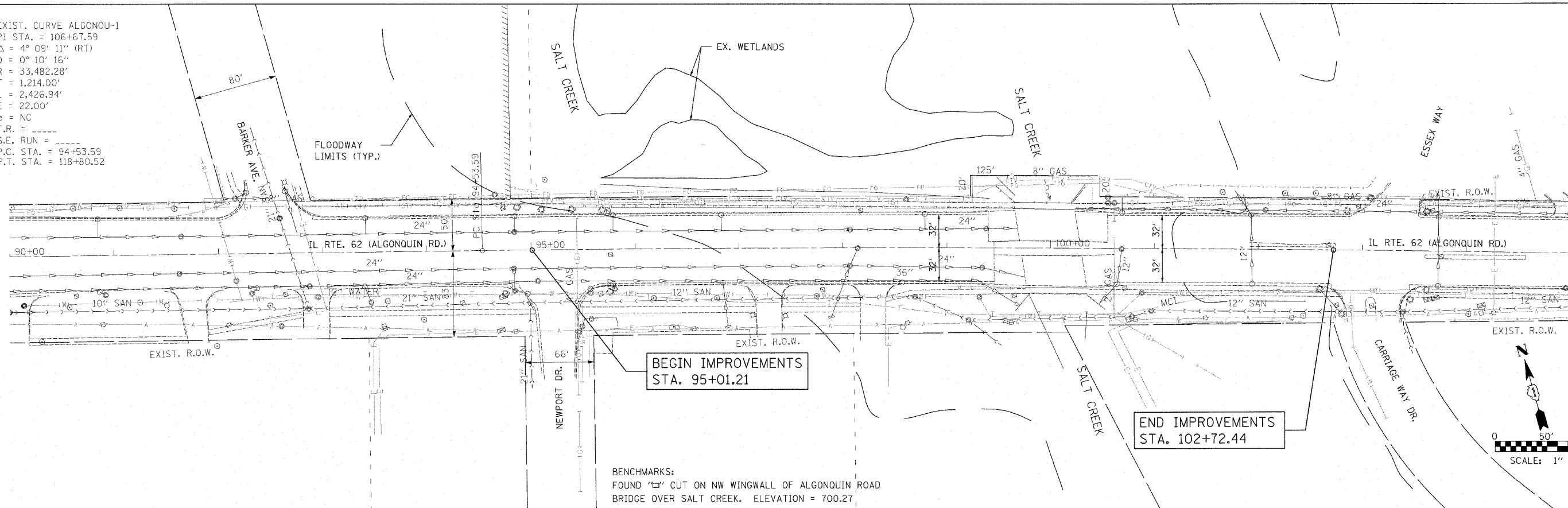
PLAN

NO.	DATE
1	
2	
3	
4	

NOTE BOOK

NO.	DATE
1	
2	
3	
4	

STRUCTURE NOTATIONS CHECKED



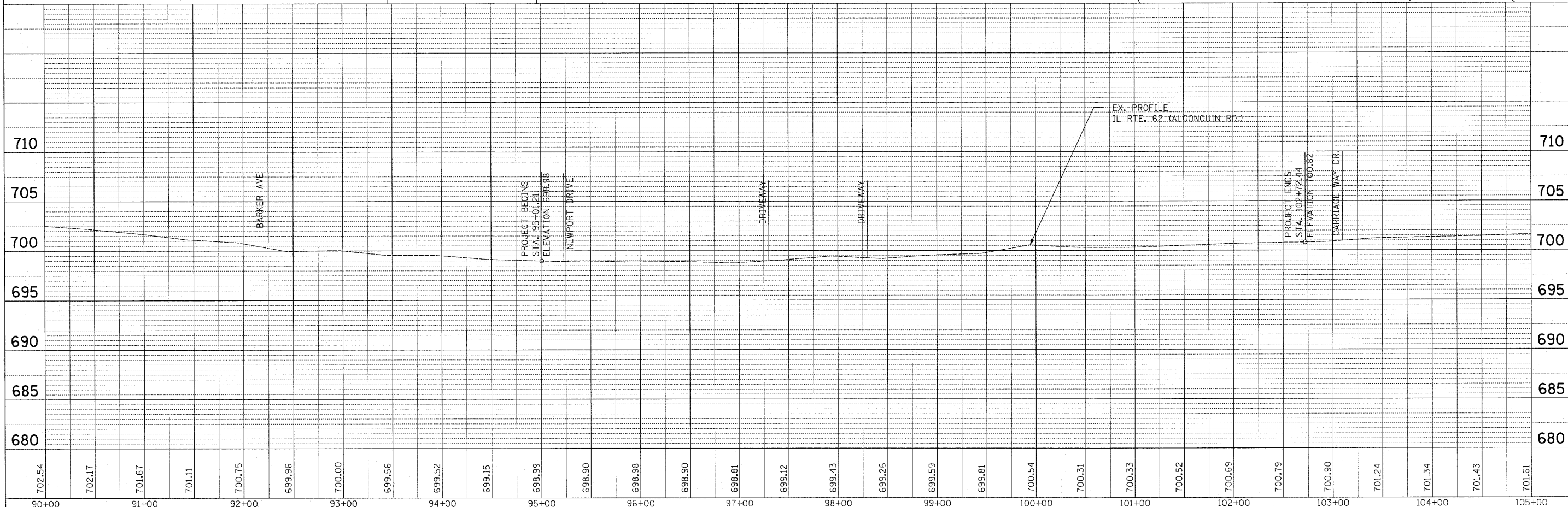
PROFILE

NO.	DATE
1	
2	
3	
4	

NOTE BOOK

NO.	DATE
1	
2	
3	
4	

STRUCTURE NOTATIONS CHECKED



FILE NAME =	USER NAME = #USER#	DESIGNED - ST	REVISED -	STATE OF ILLINOIS DEPARTMENT OF TRANSPORTATION	EXISTING PLAN AND PROFILE IL ROUTE 62 (ALGONQUIN ROAD) OVER SALT CREEK	F.A.P. RTE.	SECTION	COUNTY	TOTAL SHEETS	SHEET NO.
#FILE#		DRAWN - ST	REVISED -			339	116-Y-2-BR-1	COOK	74	14
PLOT SCALE = #SCALE#		CHECKED - FML	REVISED -			CONTRACT NO. 60J00				
PLOT DATE = #DATE#		DATE - 02/2010	REVISED -			FED. ROAD DIST. NO. ILLINOIS FED. AID PROJECT				

SCALE: 1" = 50' SHEET NO. 1 OF 1 SHEETS STA. 95+01.21 TO STA. 112+72.44

PR. SIDEWALK
 STA. 98+41.11 TO STA. 99+75.62 RT.
 STA. 98+00.00 TO STA. 99+63.39 LT.
 STA. 100+24.31 TO STA. 101+00.00 LT.
 STA. 100+66.49 TO STA. 102+22.47 RT.

PR. SINGLE FACE CONCRETE BARRIER
 STA. 98+00.00 TO 99+34.01 LT.
 STA. 100+55.10 TO 101+00.00 LT.

PR. TRAFFIC BARRIER TERMINAL TYPE 6
 STA. 97+56.85 TO STA. 98+00.06 LT
 STA. 99+16.66 TO STA. 99+60.47 RT
 STA. 100+66.05 TO STA. 101+09.80 RT
 STA. 100+99.50 TO STA. 101+43.15 LT

PR. TRAFFIC BARRIER TERMINAL TYPE 1, SPECIAL (TANGENT)
 STA. 95+19.64 TO STA. 95+69.59 LT
 STA. 98+54.11 TO STA. 99+04.16 RT
 STA. 101+22.30 TO STA. 101+72.30 RT
 STA. 101+93.05 TO STA. 102+43.00 LT

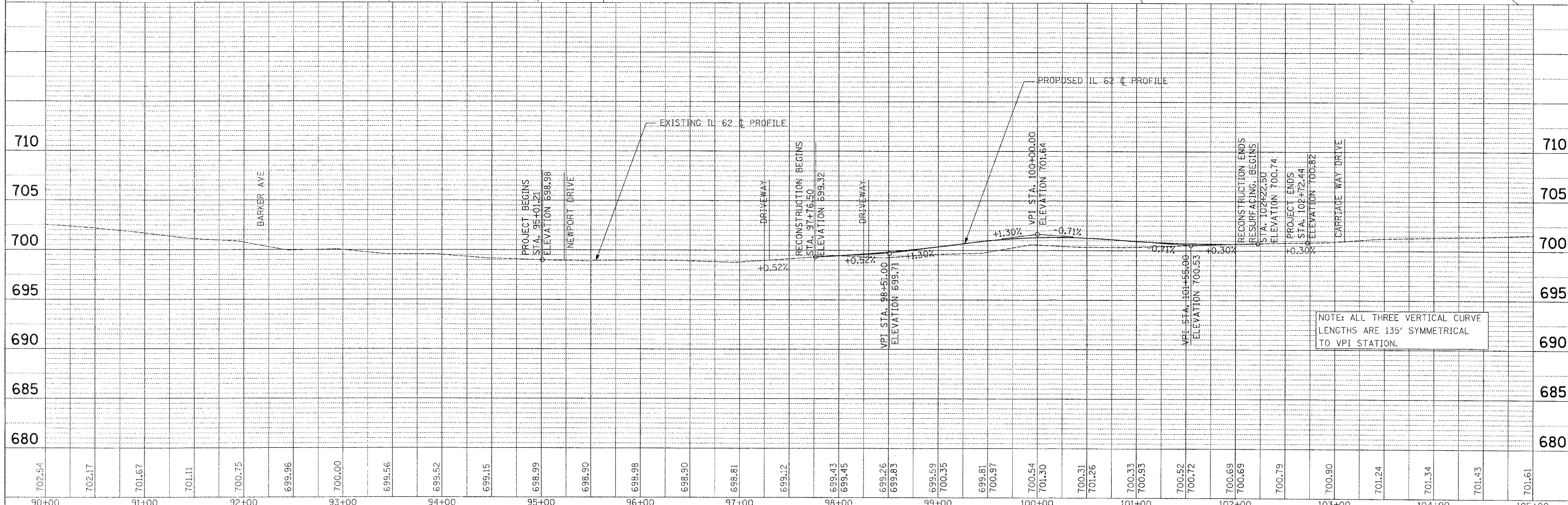
PR. STEEL PLATE BEAM GUARD RAIL, TYPE A, 6 FOOT POSTS
 STA. 95+69.59 TO STA. 97+56.85 LT
 STA. 99+04.16 TO STA. 99+16.66 RT
 STA. 101+09.80 TO STA. 101+22.30 RT
 STA. 101+43.15 TO STA. 101+93.05 LT

NOTE:
 BLOCKOUTS REQUIRED FOR TYPE 6 TERMINALS. INCLUDED IN COST PER EACH FOR TRAFFIC BARRIER TERMINALS, TYPE 6.

PR. B-6.24 CONCRETE CURB AND GUTTER
 STA. 97+76.50 TO STA. 98+00.00 LT
 STA. 97+76.50 TO STA. 99+44.66 RT
 STA. 100+66.11 TO STA. 102+22.50 RT
 STA. 101+00.00 TO STA. 102+22.50 LT

PLAN	SURVEYED	DATE
	DESIGNED	
	CHECKED	
	IN CHARGE	
	BY	
	DATE	
	NO. OF SHEETS	
	NO. OF THIS SHEET	
	DATE	

PROFILE	SURVEYED	DATE
	DESIGNED	
	CHECKED	
	IN CHARGE	
	BY	
	DATE	
	NO. OF SHEETS	
	NO. OF THIS SHEET	
	DATE	



NOTE: ALL THREE VERTICAL CURVE LENGTHS ARE 135' SYMMETRICAL TO VPI STATION.

BENCHMARKS:
 FOUND 'C' CUT ON NW WINGWALL OF ALGONQUIN ROAD
 BRIDGE OVER SALT CREEK. ELEVATION = 700.27

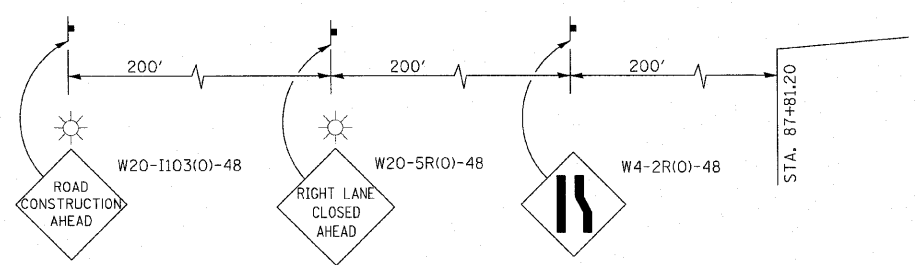
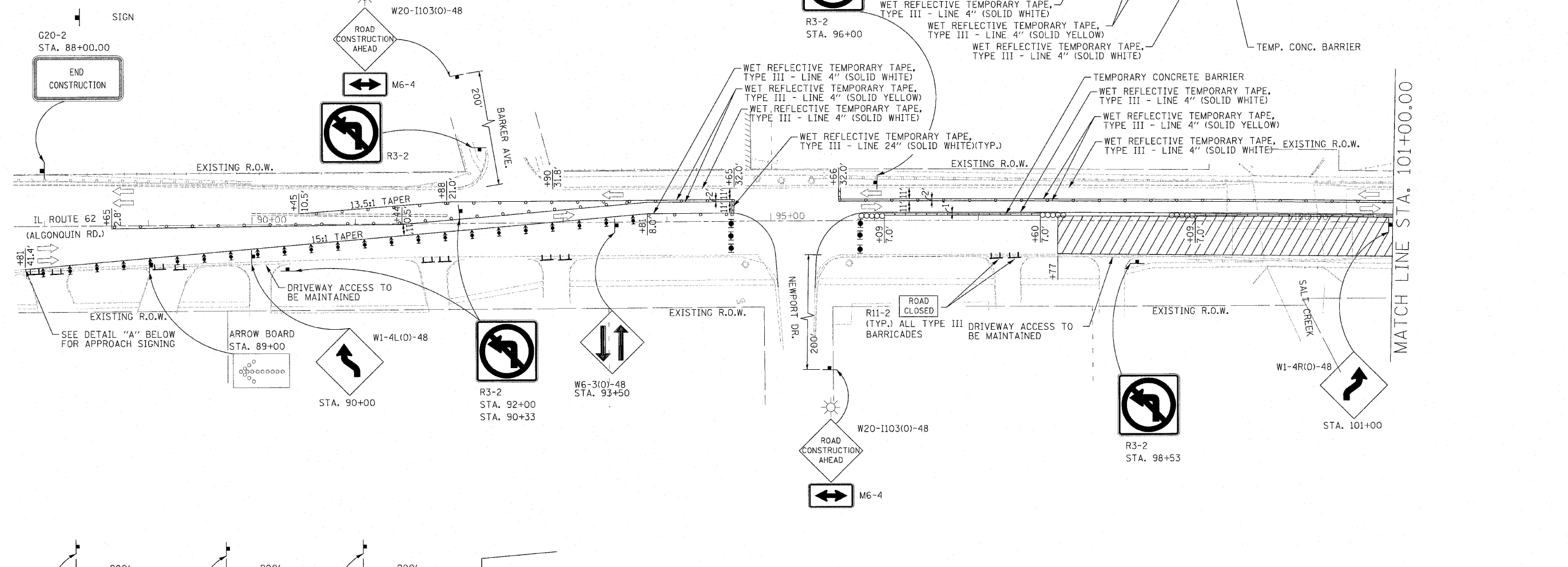
STATE OF ILLINOIS
 DEPARTMENT OF TRANSPORTATION

PROPOSED PLAN AND PROFILE
 IL ROUTE 62 (ALGONQUIN ROAD) OVER SALT CREEK

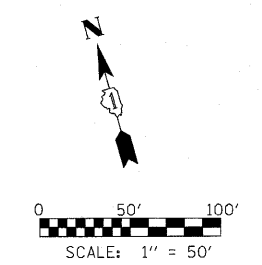
FILE NAME - #FILE#	USER NAME - #USER#	DESIGNED - ST	REVISED -	F.A.P. RTE. 339 SECTION 116-Y-2-BR-1 COUNTY COOK TOTAL SHEETS 74 SHEET NO. 15 CONTRACT NO. 60J00 FED. ROAD DIST. NO. ILLINOIS FED. AID PROJECT
PILOT SCALE - #SCALE#	CHECKED - FML	REVISOR -	SCALE: 1" = 50'	
PILOT DATE - #DATE#	DATE - 02/2010	REVISED -	SHEET NO. 1 OF 1 SHEETS	

LEGEND

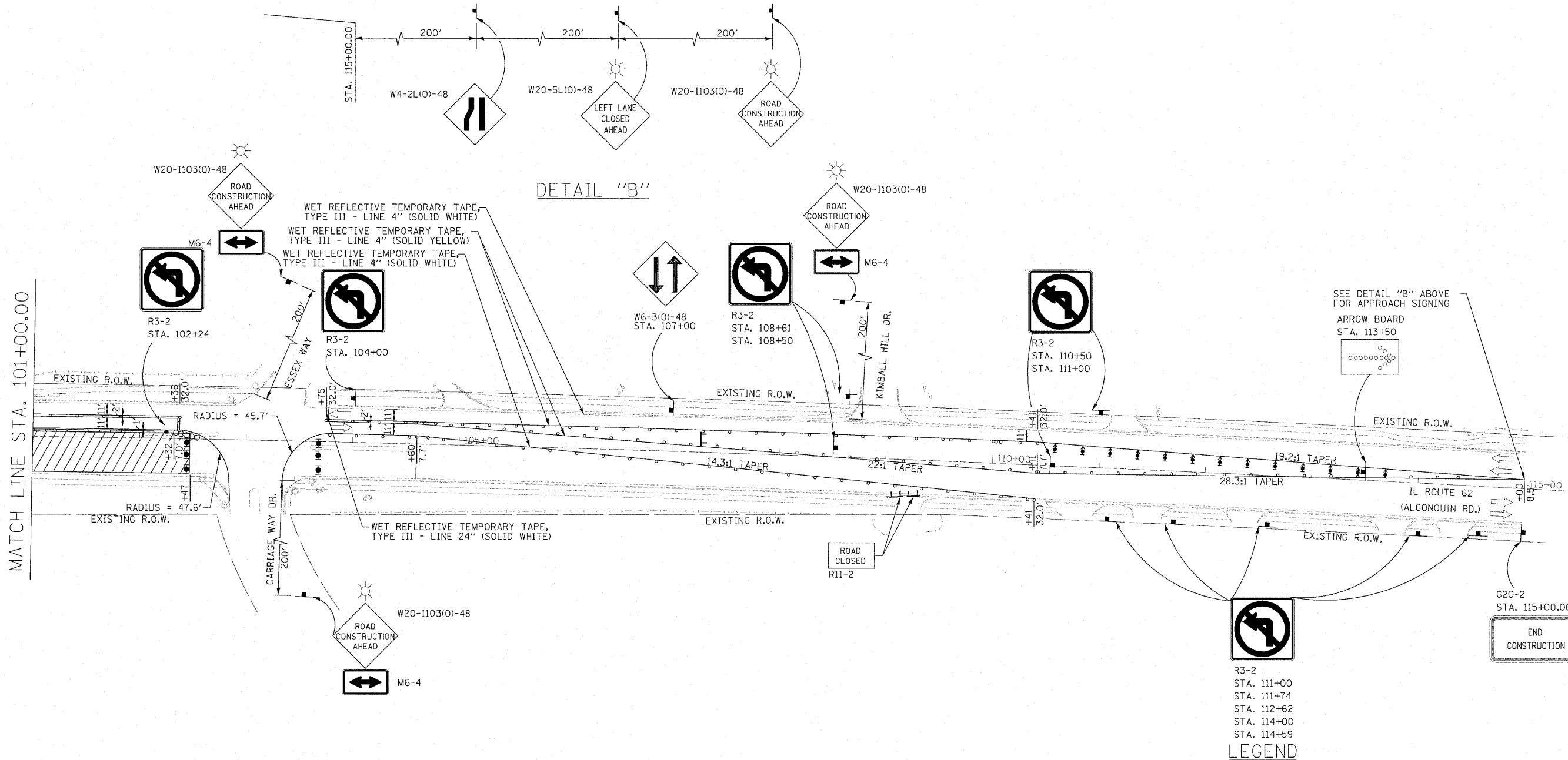
- WORK AREA
- IMPACT ATTENUATORS, TEMPORARY (FULLY REDIRECTIVE, NARROW), TEST LEVEL 3
- TYPE III BARRICADE
- TYPE I OR II BARRICADE
- TEMPORARY CONCRETE BARRIER
- DRUM WITH STEADY BURN MONODIRECTIONAL LIGHT (PER HWY. STD. 701606)
- DIRECTION INDICATOR BARRICADE WITH STEADY BURN MONODIRECTIONAL LIGHT (PER HWY. STD. 701606)
- SIGN



- STAGE I CONSTRUCTION:**
- REMOVE CONFLICTING EXISTING PAVEMENT MARKING LINES, REFLECTORS AND SIGNS UNDER HIGHWAY STANDARD 701306.
 - SHIFT TRAFFIC TO EXISTING WB LANES, PROVIDING ONE 11' LANE IN EACH DIRECTION UNDER HIGHWAY STANDARD 701606 AND AS SHOWN IN THE PLANS.
 - UPON COMPLETION OF CONSTRUCTION AND REMOVAL OF TRAFFIC CONTROL, PROVIDE PROPOSED PAVEMENT MARKINGS AND MARKERS TO REVERT TO EXISTING MARKINGS CONFIGURATION, AND AS SHOWN ON THE PROPOSED PAVEMENT MARKING PLAN.
- NOTES:**
- ACCESS TO BE MAINTAINED TO DRIVEWAYS SHOWN IN THE PLANS.



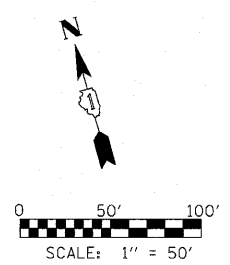
FILE NAME = #FILEL#	USER NAME = #USER#	DESIGNED - SEW	REVISED -	STATE OF ILLINOIS DEPARTMENT OF TRANSPORTATION	MAINTENANCE OF TRAFFIC PLAN - STAGE 1 IL ROUTE 62 (ALGONQUIN ROAD) OVER SALT CREEK	F.A.P. RTE. 339	SECTION 116-Y-2-BR-1	COUNTY COOK	TOTAL SHEETS 74	SHEET NO. 16	
PLOT SCALE = #SCALE#	CHECKED - FML	REVISED -	SCALE: 1" = 50'			SHEET NO. 1 OF 2 SHEETS	STA. 88+00.00 TO STA. 101+00.00	CONTRACT NO. 60J00		FED. ROAD DIST. NO. ILLINOIS FED. AID PROJECT	
PLOT DATE = #DATE#	DATE - 2/2010	REVISED -									



DETAIL "B"

LEGEND

	WORK AREA
	IMPACT ATTENUATORS, TEMPORARY (FULLY REDIRECTIVE, NARROW), TEST LEVEL 3
	TYPE III BARRICADE
	TYPE I OR II BARRICADE
	TEMPORARY CONCRETE BARRIER
	DRUM WITH STEADY BURN MONODIRECTIONAL LIGHT (PER HWY. STD. 701606)
	DIRECTION INDICATOR BARRICADE WITH STEADY BURN MONODIRECTIONAL LIGHT (PER HWY. STD. 701606)
	SIGN



FILE NAME = \$FIL.FL\$	USER NAME = \$USER\$	DESIGNED - SEW	REVISED -	STATE OF ILLINOIS DEPARTMENT OF TRANSPORTATION	MAINTENANCE OF TRAFFIC PLAN - STAGE 1 IL ROUTE 62 (ALGONQUIN ROAD) OVER SALT CREEK	F.A.P. RTE. 339	SECTION 116-Y-2-BR-1	COUNTY COOK	TOTAL SHEETS 74	SHEET NO. 17	
	PLOT SCALE = \$SCALE\$	DRAWN - SEW	REVISED -			SCALE: 1" = 50'	SHEET NO. 2 OF 2 SHEETS	STA. 101+00.00 TO STA. 115+00.00	CONTRACT NO. 60J00		
	PLOT DATE = \$DATE\$	CHECKED - FML	REVISED -			FED. ROAD DIST. NO. ILLINOIS FED. AID PROJECT					
		DATE - 2/2010	REVISED -								

LEGEND

- WORK AREA
- IMPACT ATTENUATORS, TEMPORARY (FULLY REDIRECTIVE, NARROW), TEST LEVEL 3
- TYPE III BARRICADE
- TYPE I OR II BARRICADE
- TEMPORARY CONCRETE BARRIER
- DRUM WITH STEADY BURN MONODIRECTIONAL LIGHT (PER HWY. STD. 701606)
- DIRECTION INDICATOR BARRICADE WITH STEADY BURN MONODIRECTIONAL LIGHT (PER HWY. STD. 701606)
- SIGN

G20-2
STA. 89+00.00
END CONSTRUCTION

R3-2
STA. 92+11

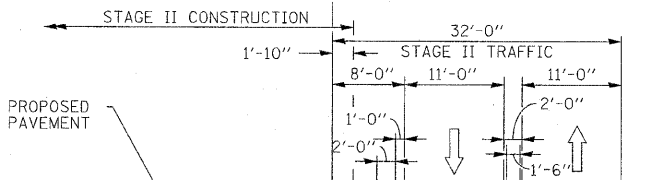
W20-1103(O)-48
ROAD CONSTRUCTION AHEAD

M6-4

R3-2
STA. 96+00

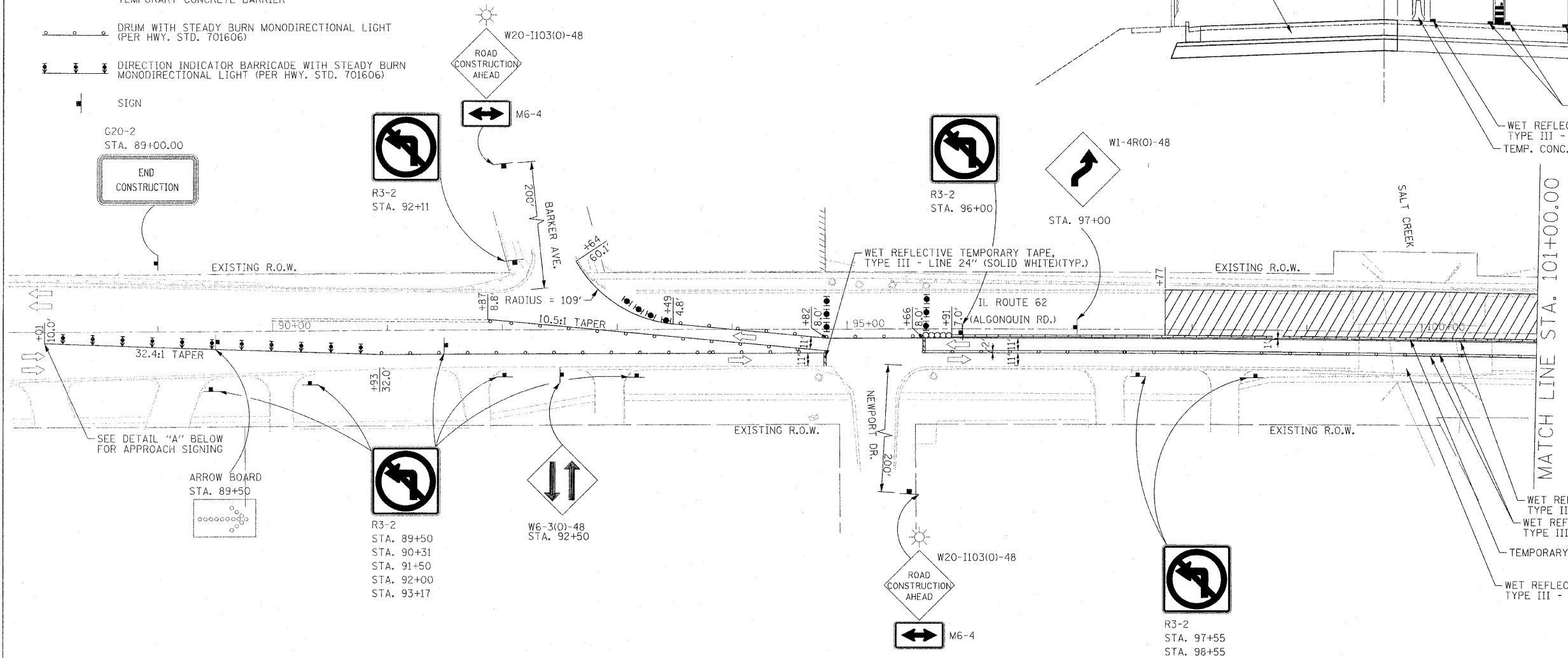
W1-4R(O)-48
ROAD CONSTRUCTION AHEAD

STA. 97+00



WET REFLECTIVE TEMPORARY TAPE, TYPE III - LINE 4" (SOLID WHITE)
WET REFLECTIVE TEMPORARY TAPE, TYPE III - LINE 4" (SOLID YELLOW)
WET REFLECTIVE TEMPORARY TAPE, TYPE III - LINE 4" (SOLID WHITE)
TEMP. CONC. BARRIER

WET REFLECTIVE TEMPORARY TAPE, TYPE III - LINE 4" (SOLID WHITE)
WET REFLECTIVE TEMPORARY TAPE, TYPE III - LINE 4" (SOLID YELLOW)
TEMPORARY CONCRETE BARRIER
WET REFLECTIVE TEMPORARY TAPE, TYPE III - LINE 4" (SOLID WHITE)



SEE DETAIL "A" BELOW FOR APPROACH SIGNING

ARROW BOARD
STA. 89+50

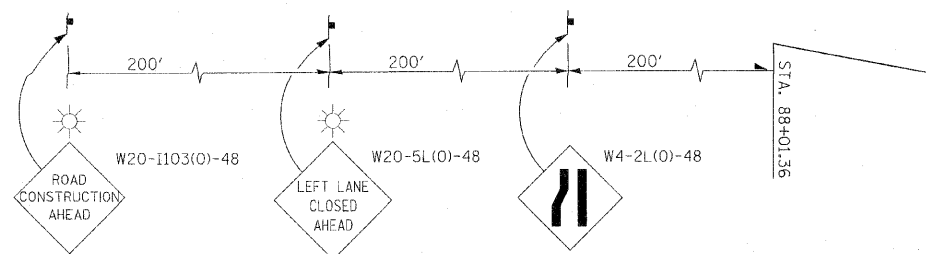
R3-2
STA. 89+50
STA. 90+31
STA. 91+50
STA. 92+00
STA. 93+17

W6-3(O)-48
STA. 92+50

W20-1103(O)-48
ROAD CONSTRUCTION AHEAD

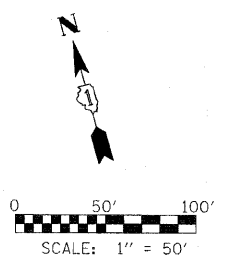
M6-4

R3-2
STA. 97+55
STA. 98+55



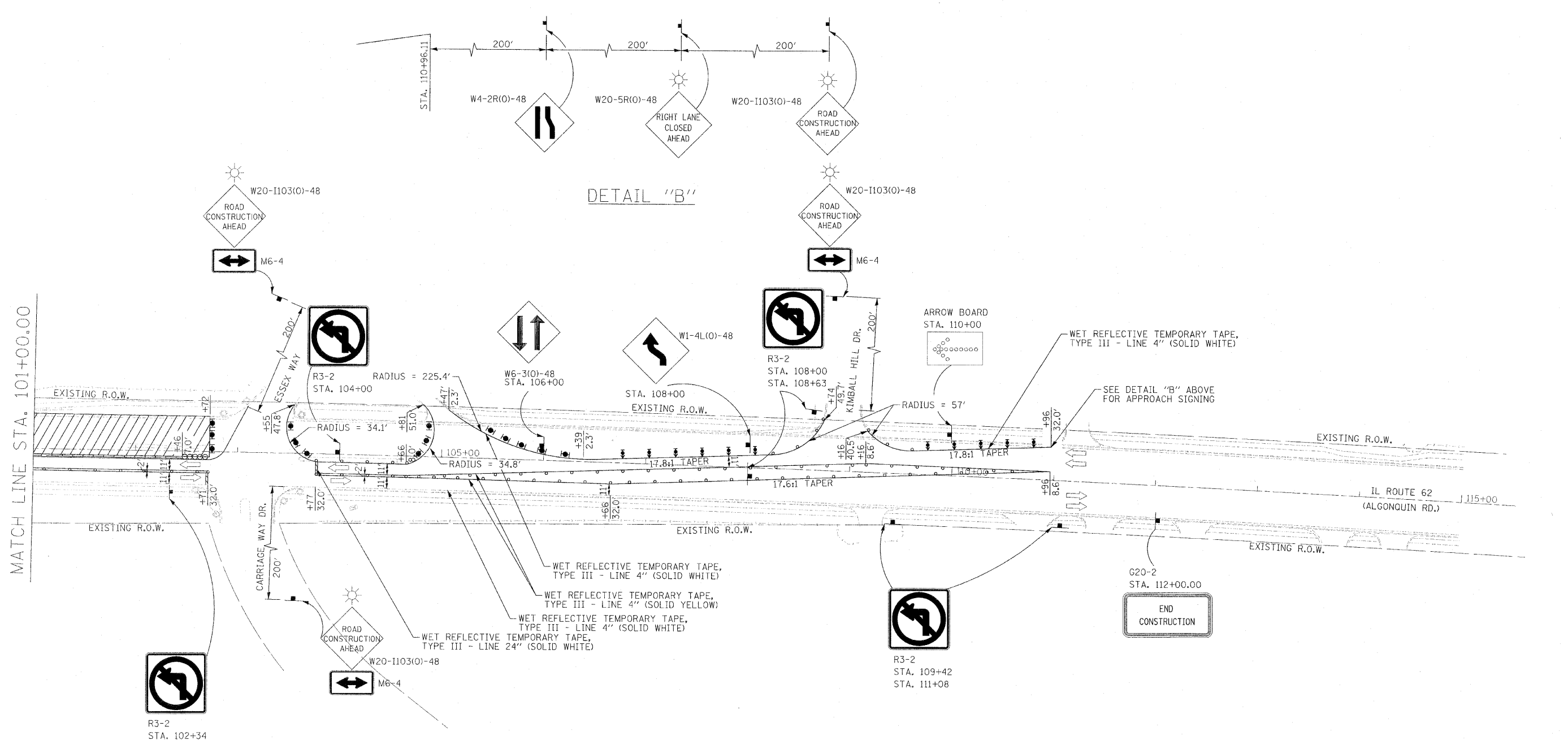
DETAIL "A"

- STAGE II CONSTRUCTION:**
- REMOVE CONFLICTING EXISTING PAVEMENT MARKING LINES, REFLECTORS AND SIGNS UNDER HIGHWAY STANDARD 701306.
 - SHIFT TRAFFIC TO EXISTING EB LANES, PROVIDING ONE 11' LANE IN EACH DIRECTION UNDER HIGHWAY STANDARD 701606 AND AS SHOWN IN THE PLANS.
 - UPON COMPLETION OF CONSTRUCTION AND REMOVAL OF TRAFFIC CONTROL, PROVIDE PROPOSED PAVEMENT MARKINGS AND MARKERS TO REVERT TO EXISTING MARKINGS CONFIGURATION, AND AS SHOWN IN THE PROPOSED PAVEMENT MARKING PLAN UNDER HIGHWAY STANDARD 701426.
- NOTES:**
- ACCESS TO BE MAINTAINED TO DRIVEWAYS SHOWN IN THE PLANS.



FILE NAME = #FILEL#	USER NAME = #USER#	DESIGNED - SEW	REVISED -	STATE OF ILLINOIS DEPARTMENT OF TRANSPORTATION	MAINTENANCE OF TRAFFIC PLAN - STAGE 2 IL ROUTE 62 (ALGONQUIN ROAD) OVER SALT CREEK	F.A.P. RTE. 339	SECTION 116-Y-2-BR-1	COUNTY COOK	TOTAL SHEETS 74	SHEET NO. 18		
	PLOT SCALE = #SCALE#	DRAWN - SEW	REVISED -			SCALE: 1" = 50'	SHEET NO. 1 OF 2 SHEETS	STA. 89+00.00 TO STA. 101+00.00	FED. ROAD DIST. NO.	ILLINOIS	FED. AID PROJECT	
	PLOT DATE = #DATE#	CHECKED - FML	REVISED -			CONTRACT NO. 60J00						
		DATE - 2/2010	REVISED -									

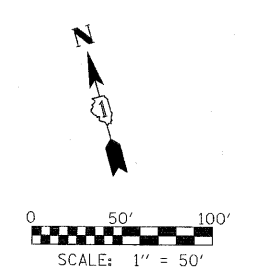
MATCH LINE STA. 101+00.00



DETAIL "B"




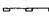
LEGEND

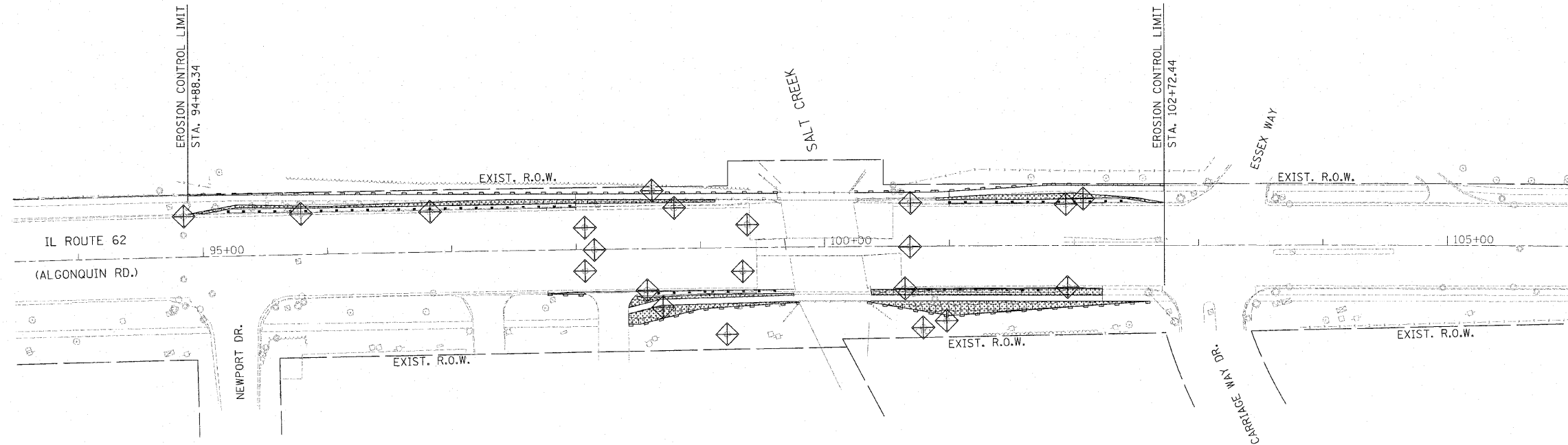
- WORK AREA
- IMPACT ATTENUATORS, TEMPORARY (FULLY REDIRECTIVE, NARROW), TEST LEVEL 3
- TYPE III BARRICADE
- TYPE I OR II BARRICADE
- TEMPORARY CONCRETE BARRIER
- DRUM WITH STEADY BURN MONODIRECTIONAL LIGHT (PER HWY. STD. 701606)
- DIRECTION INDICATOR BARRICADE WITH STEADY BURN MONODIRECTIONAL LIGHT (PER HWY. STD. 701606)
- SIGN



FILE NAME = \$FILEL\$	USER NAME = \$USER\$	DESIGNED - SEW	REVISED -	STATE OF ILLINOIS DEPARTMENT OF TRANSPORTATION	MAINTENANCE OF TRAFFIC PLAN - STAGE 2 IL ROUTE 62 (ALGONQUIN ROAD) OVER SALT CREEK		F.A.P. RTE. 339	SECTION 116-Y-2-BR-1	COUNTY COOK	TOTAL SHEETS 74	SHEET NO. 19	
	PLOT SCALE = \$SCALE\$	DRAWN - SEW	REVISED -		SCALE: 1" = 50'	SHEET NO. 2 OF 2 SHEETS	STA. 101+00.00 TO STA. 115+00.00	CONTRACT NO. 60J00				
	PLOT DATE = \$DATE\$	CHECKED - FML	REVISED -		FED. ROAD DIST. NO. ILLINOIS FED. AID PROJECT							
		DATE - 2/2010	REVISED -									

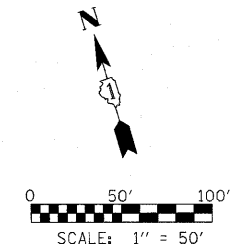
SYMBOLS:

-  INLET & PIPE PROTECTION / INLET FILTERS
-  EROSION CONTROL BLANKET
-  SEEDING, CLASS 2A
-  PERIMETER EROSION BARRIER

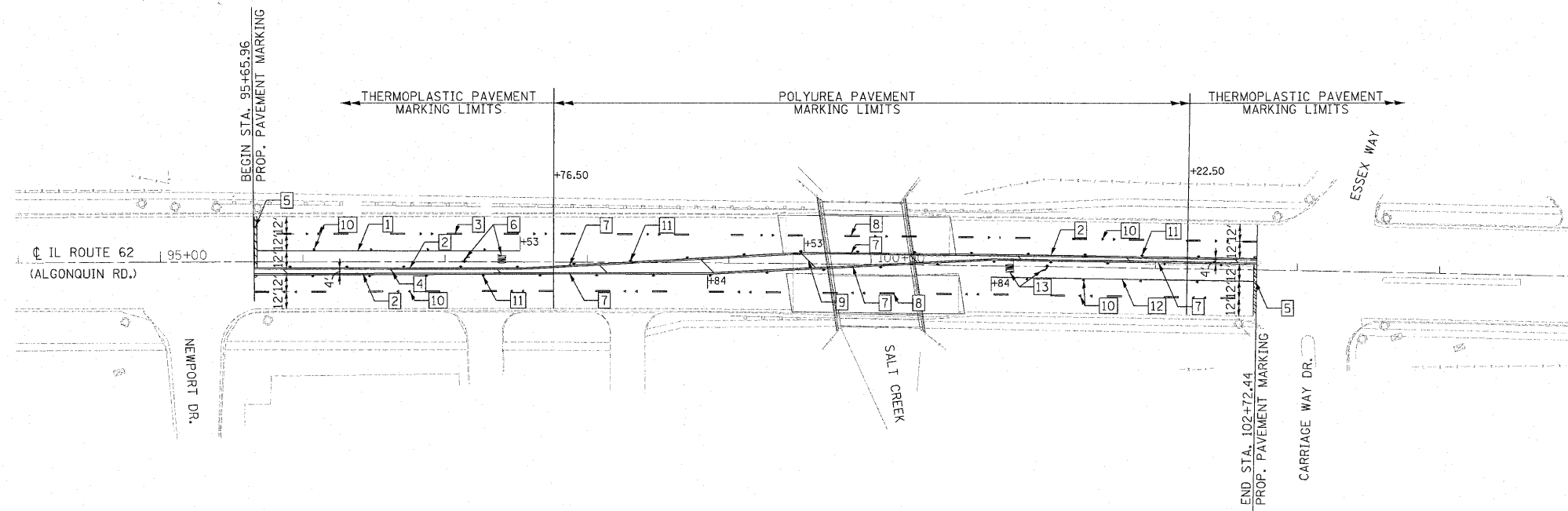


NOTES:

1. THE CONTRACTOR SHALL PREVENT DEBRIS FROM FALLING INTO SALT CREEK DURING THE REMOVAL OF THE EXISTING BRIDGE. THIS WORK IS INCLUDED IN THE PAY ITEM FOR REMOVAL OF THE EXISTING STRUCTURE AND WILL NOT BE PAID FOR SEPARATELY, BUT IS CONSIDERED INCIDENTAL.
2. ALL EROSION CONTROL ITEMS TO BE FURNISHED AND MAINTAINED BY THE CONTRACTOR FOR THE ENTIRE DURATION OF THE PROJECT, AS DIRECTED BY THE ENGINEER.
3. UNLESS INDICATED OTHERWISE, ALL VEGETATIVE AND STRUCTURAL EROSION AND SEDIMENT CONTROL PRACTICES SHALL BE CONSTRUCTED ACCORDING TO MINIMUM STANDARDS AND SPECIFICATIONS IN THE ILLINOIS URBAN MANUAL REVISED FEBRUARY 2002.
4. A COPY OF THE APPROVED EROSION AND SEDIMENT CONTROL PLAN SHALL BE MAINTAINED ON THE SITE AT ALL TIMES.
5. PRIOR TO COMMENCING LAND-DISTURBING ACTIVITIES IN AREAS OTHER THAN INDICATED ON THESE PLANS (INCLUDING BUT NOT LIMITED TO, ADDITIONAL PHASES OF DEVELOPMENT AND OFF-SITE BORROW OR WASTE AREAS) A SUPPLEMENTARY EROSION CONTROL PLAN SHALL BE SUBMITTED TO THE OWNER FOR REVIEW BY THE KDSWCD.
6. ALL ADJACENT STREETS MUST BE KEPT CLEAR OF DEBRIS. INSPECTED DAILY AND CLEANED WHEN NECESSARY.
7. ALL EROSION CONTROL MEASURES MUST BE INSPECTED WEEKLY AND AFTER EACH 1/2" RAIN EVENT.
8. EROSION CONTROL BLANKET SHALL BE INSTALLED ON ALL SLOPES AND IN CRITICAL AREAS IMMEDIATELY UPON FINAL GRADING.
9. THE PRIORITY SHALL BE GIVEN TO THE COMPLETION AND STABILIZATION OF THE DISTURBED AREAS. WORK IN THESE AREAS SHALL NOT BE PROLONGED IN ATTEMPT THAT ALL FINAL GRADING AND STABILIZATION CAN TAKE PLACE AT ONE TIME.
10. STOCKPILES OF SOIL AND OTHER MATERIALS TO REMAIN IN PLACE MORE THAN THREE (3) DAYS SHALL BE FURNISHED WITH EROSION AND SEDIMENT CONTROL MEASURES (I.E. PERIMETER SILT FENCE). STOCKPILES TO REMAIN IN PLACE FOR 21 DAYS OR MORE SHALL RECEIVE TEMPORARY SEEDING.
11. IN AREAS WHERE WORK IS COMPLETE, PERMANENT STABILIZATION SHALL OCCUR WITHIN 7 DAYS OF COMPLETION, AND IN AREAS WHERE WORK HAS TEMPORARILY CEASED FOR 21 DAYS OR MORE, TEMPORARY STABILIZATION SHALL OCCUR BY THE 14TH DAY AFTER WORK HAS CEASED.
12. COMPLETED SLOPES SHALL BE SEEDDED AND BLANKETED AS THE EXCAVATION PROCEEDS TO THE EXTENT CONSIDERED DESIRABLE AND PRACTICAL. UNDER NO CIRCUMSTANCES SHALL THE CONTRACTOR PROLONG FINAL GRADING AND SHAPING SO THAT THE ENTIRE PROJECT CAN BE PERMANENTLY SEEDDED AT ONE TIME.
13. NO WORK SHALL BE PERFORMED IN FLOWING WATER. WORK IN AND NEAR THE CRITICAL AREAS SHOULD BE ISOLATED FROM CONCENTRATED FLOWS OR STREAM FLOW. THE STREAM BANKS SHOULD BE STABILIZED AT THE END OF EACH DAY. ONCE WORK IN THIS AREA BEGINS, PRIORITY SHALL BE GIVEN TO THE COMPLETION OF THE WORK AND FINAL STABILIZATION OF ALL DISTURBED AREAS.
14. THE SIDES SLOPE AND DITCHES MUST BE SEEDDED AND STABILIZED WITH AN APPROPRIATE EROSION CONTROL BLANKET PRIOR TO ACCEPTING FLOWS.

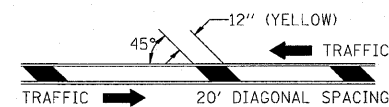
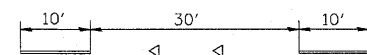
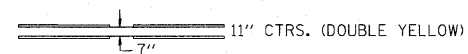


FILE NAME =	USER NAME = \$USER\$	DESIGNED - SEW	REVISED -	STATE OF ILLINOIS DEPARTMENT OF TRANSPORTATION	EROSION CONTROL PLAN IL ROUTE 62 (ALGONQUIN ROAD) OVER SALT CREEK			F.A.P. RTE.	SECTION	COUNTY	TOTAL SHEETS	SHEET NO.	
#FILEL\$		DRAWN - SEW	REVISED -		SCALE: 1" = 50'	SHEET NO. 1 OF 1 SHEETS	STA.	TO STA.	339	116-Y-2-BR-1	COOK	74	20
		CHECKED - FML	REVISED -		CONTRACT NO. 60J00								
		DATE - 2/2010	REVISED -		FED. ROAD DIST. NO. ILLINOIS FED. AID PROJECT								



TYPICAL PAVEMENT MARKING LEGEND

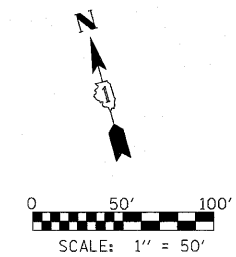
- 1 THERMOPLASTIC PAVEMENT MARKING - LINE 6" (SOLID WHITE)
- 2 THERMOPLASTIC PAVEMENT MARKING - LINE 4" (DOUBLE YELLOW)
- 3 THERMOPLASTIC PAVEMENT MARKING - LINE 4" (SKIP - DASH WHITE)
- 4 THERMOPLASTIC PAVEMENT MARKING - LINE 12" (DIAGONAL SOLID YELLOW)
- 5 THERMOPLASTIC PAVEMENT MARKING - LINE 24" (SOLID WHITE)
- 6 THERMOPLASTIC PAVEMENT MARKING - LETTERS AND SYMBOLS
- 7 POLYUREA PAVEMENT MARKING TYPE I - LINE 4" (DOUBLE YELLOW)
- 8 POLYUREA PAVEMENT MARKING TYPE I - LINE 4" (SKIP - DASH WHITE)
- 9 POLYUREA PAVEMENT MARKING TYPE I - LINE 12" (DIAGONAL SOLID YELLOW)
- 10 ONE-WAY CRYSTAL MARKER
- 11 TWO-WAY AMBER MARKER
- 12 POLYUREA PAVEMENT MARKING TYPE I - LINE 6" (SOLID WHITE)
- 13 POLYUREA PAVEMENT MARKING TYPE I - LETTERS AND SYMBOLS



- ◁ ONE-WAY CRYSTAL MARKER
- ◆ TWO-WAY AMBER MARKER

NOTES:

1. PAVEMENT MARKINGS TO BE INSTALLED IN ACCORDANCE WITH DISTRICT STANDARD TC-13: "DISTRICT ONE TYPICAL PAVEMENT MARKINGS".



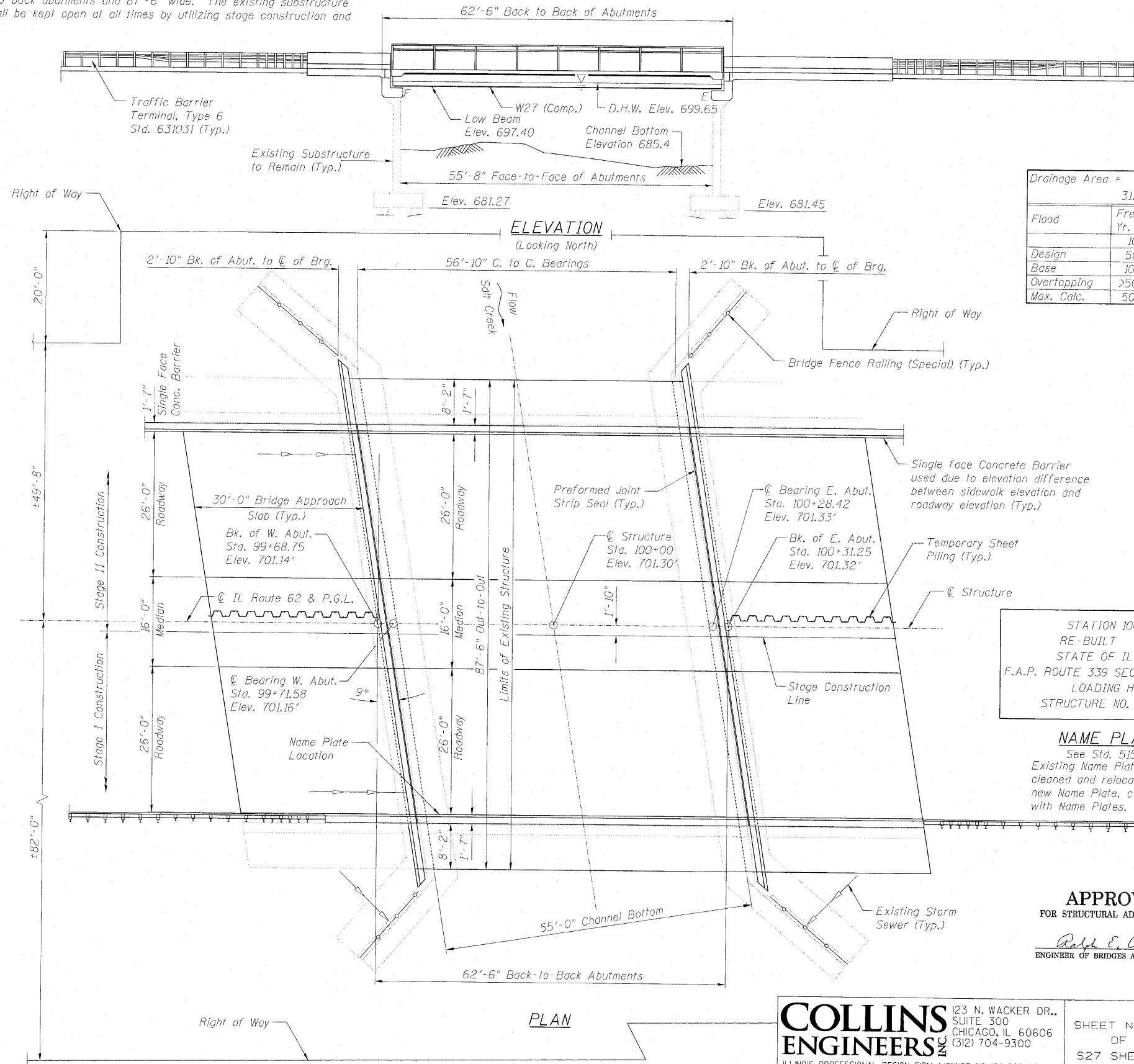
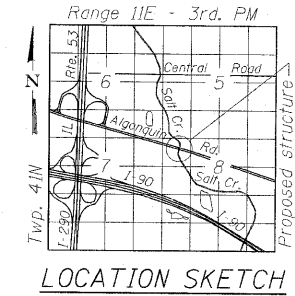
FILE NAME =	USER NAME = \$USER\$	DESIGNED - SEW	REVISED -	STATE OF ILLINOIS DEPARTMENT OF TRANSPORTATION	PAVEMENT MARKING PLAN IL ROUTE 62 (ALGONQUIN ROAD) OVER SALT CREEK			F.A.P. RTE.	SECTION	COUNTY	TOTAL SHEETS	SHEET NO.	
#FILEL\$		DRAWN - SEW	REVISED -		SCALE: 1" = 50'	SHEET NO. 1 OF 1 SHEETS	STA.	TO STA.	339	116-Y-2-BR-1	COOK	74	22
		CHECKED - FML	REVISED -		CONTRACT NO. 60J00								
		DATE - 2/2010	REVISED -		FED. ROAD DIST. NO. ILLINOIS FED. AID PROJECT								

Bench Mark: "□" Cut on northwest wingwall of Illinois Route 62 (Algonquin Road) bridge over Salt Creek - elevation 700.27 feet.

Existing Structure: S.N. 016-0581 carrying Illinois Route 62 over Salt Creek was constructed in 1971 under F.A.S. Route 157, Section-116-Y-2-BR. It consists of a single span of precast, prestressed concrete (PPC) deck beams on reinforced concrete closed abutments with a length of 61'-4" back-to-back abutments and 87'-6" wide. The existing substructure will be retained. The road shall be kept open at all times by utilizing stage construction and a temporary signal system.

Salvage: None.

STATE OF ILLINOIS
DEPARTMENT OF TRANSPORTATION

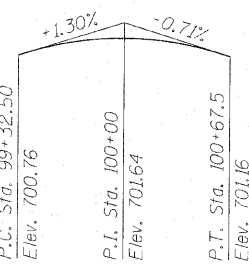


WATERWAY INFORMATION

Drainage Area =		Acres		Existing Low Grade Elev. = 699.5 ft. @ Sta. 742 (RT)		31.08 Sq. Mi.		Proposed Low Grade Elev. = 699.5 ft. @ Sta. 742 (RT)	
Flood	Freq. Yr.	Q	Opening Sq. Ft.		Nat. H.W.E.	Head - Ft.		Headwater Elev.	
		C.F.S.	Exist.	Prop.	Exist.	Exist.	Prop.	Exist.	Prop.
Design	10	1080	543	578	698.16	0.12	0.08	698.28	698.24
Base	50	1742	543	578	699.65	0.40	0.30	700.05	699.95
Overtopping	100	2085	543	578	700.21	0.48	0.41	700.69	700.62
Max. Calc.	>500								
	500	2871	543	578	701.15	0.36	0.39	701.51	701.54

CURVE DATA

$\Delta = 4^{\circ}09'11''$ (RT)
 $D = 0^{\circ}10'16''$
 $T = 1,214.00'$
 $L = 2,426.94'$
 $E = 22.00'$
 $R = 33,482.28'$
 $P.C. = Sta. 94+53.59$
 $P.T. = Sta. 118+80.52$
 $P.I. = Sta. 106+67.59$



PROFILE GRADE
 (along P.G. F.A.P. Rte. 339)
 Length of curve = 135'

DESIGNED MAH
CHECKED JMH
DRAWN DR
CHECKED JMH

DESIGN SPECIFICATIONS

2007 AASHTO LRFD Bridge Design Specifications, 4th Edition, with 2008 and 2009 Interims.

LOADING HL-93

Allow 50#/sq. ft. for future wearing surface.

DESIGN STRESSES

FIELD UNITS

$f'_c = 3,500$ psi
 $f_y = 60,000$ psi (Reinforcement)
 $f_y = 50,000$ psi (M270 Grade 50W)

EXISTING SUBSTRUCTURE

$f_c = 1,000$ psi
 $f_s = 20,000$ psi (Reinforcement)

SEISMIC DATA

EXISTING SUBSTRUCTURE

Seismic Performance Zone (SPC) = A
 Horizontal Bedrock Acceleration Coefficient (A) = 3.5
 Site Coefficient (S) = 1.0

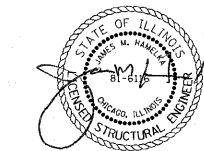
STATION 100+00
 RE-BUILT BY
 STATE OF ILLINOIS
 F.A.P. ROUTE 339 SEC. 116-Y-2-BR-1
 LOADING HL-93
 STRUCTURE NO. 016-0581

NAME PLATE

See Std. 515001
 Existing Name Plate shall be cleaned and relocated next to new Name Plate, cost included with Name Plates.

APPROVED
 FOR STRUCTURAL ADEQUACY ONLY

Robert E. Anderson
 ENGINEER OF BRIDGES AND STRUCTURES



COLLINS ENGINEERS, INC.
 JAMES M. HAMELKA
 NO. 81-6116
 EXPIRES 11-30-2010

GENERAL PLAN AND ELEVATION
ILLINOIS ROUTE 62 (ALGONQUIN ROAD)
OVER SALT CREEK
F.A.P. ROUTE 339 SEC. 116-Y-2-BR-1
COOK COUNTY
STATION 100+00
STRUCTURE NO. 016-0581

COLLINS ENGINEERS
 ILLINOIS PROFESSIONAL DESIGN FIRM LICENSE NO. 184-000993

SHEET NO. S1 OF S27 SHEETS	F.A.P. RTE. 339	SECTION 116-Y-2-BR-1	COUNTY COOK	TOTAL SHEETS 74	SHEET NO. 23
CONTRACT NO. 60J00					
ILLINOIS FED. AID PROJECT					

GENERAL NOTES:

Fasteners shall be AASHTO M164 Type 1, mechanically galvanized bolts in painted areas and M164 Type 3 in unpainted areas. Bolts 3/4 in. φ, holes 13/16 in. φ, unless otherwise noted.

Calculated weight of Structural Steel =
Gr 50W = 132,300 Lbs.

All structural steel shall be AASHTO M 270 Grade 50W except expansion joints which shall be AASHTO M 270 Grade 50. All structural steel shall be cleaned as specified in the Special Provision for "Surface Preparation and Painting Requirements for Weathering Steel".

No field welding is permitted except as specified in the contract documents.

Reinforcement bars shall conform to the requirements of ASTM A 706 Gr 60. See Special Provisions.

Reinforcement bars designated (E) shall be epoxy coated.

If the Contractor elects to use cantilever forming brackets on the exterior beams or girders, the brackets shall be placed at the same locations as required for the hardwood blocks in Article 503.06(b) of the Standard Specifications. If additional cantilever forming brackets are required, hardwood blocking shall be wedged between the exterior and the first interior beam at each of these additional bracket locations.

Plan dimensions and details relative to existing plans are subject to nominal construction variations. The Contractor shall field verify existing dimensions and details affecting new construction and make necessary approved adjustments prior to construction or ordering of materials. Such variations shall not be cause for additional compensation for a change in scope of the work, however, the Contractor will be paid for the quantity actually furnished at the unit price bid for the work.

Concrete Sealer shall be applied to the new concrete surfaces of the faces of abutments, bridge seats and backwalls of the closed abutments.

All structural steel and exposed surfaces of bearings within a distance of 7 ft. each way from the deck joints shall be painted as specified in the Special Provision for "Surface Preparation and Painting Requirements for Weathering Steel".

If the Contractor chooses to alter the temporary cantilevered sheet piling design requirements shown on the plans, a design submittal including plan details and calculations will be required for review and acceptance by the Engineer.

Existing abutment reinforcement shall be cleaned and incorporated into the new construction. Cost included with "Concrete Removal."

Slipforming of the parapets is not allowed.

The Contractor is advised that the existing PPC Deck beams are in a deteriorated condition with reduced load carrying capacity. It is the Contractor's responsibility to account for the condition of the beams when developing construction procedures for removal and replacement of the superstructure.

If the Contractor's procedures for existing deck beam removal or construction of the new superstructure involves placement of heavy equipment on the existing deck beams, a detailed procedure shall be submitted to the Engineer for approval. The procedure shall include calculations, sealed by an Illinois Licensed Structural Engineer, verifying the structural adequacy of the deck beams for the proposed loads. Cost included with Removal of Existing Structures.

There are utilities attached to the northern portions of the superstructure and substructure of the bridge that may or may not be related to the USGS gaging station. It shall be the Contractor's responsibility to determine the utility owners and to coordinate and maintain and temporarily support (or remove, protect and re-erect) the utilities during construction. The cost of this work shall be included in the pay item for "Removal of Existing Superstructures".

Portions of the wingwalls are buried. The Contractor shall excavate and remove soil and clear vegetation as required to complete the repairs to the wingwalls. The areas that are impacted shall be restored and shall be sodded with a Salt Tolerant Sod according to the Section 252 of the Standard Specifications. This work shall be included in the pay item "Bridge Fence Railing (Special)".

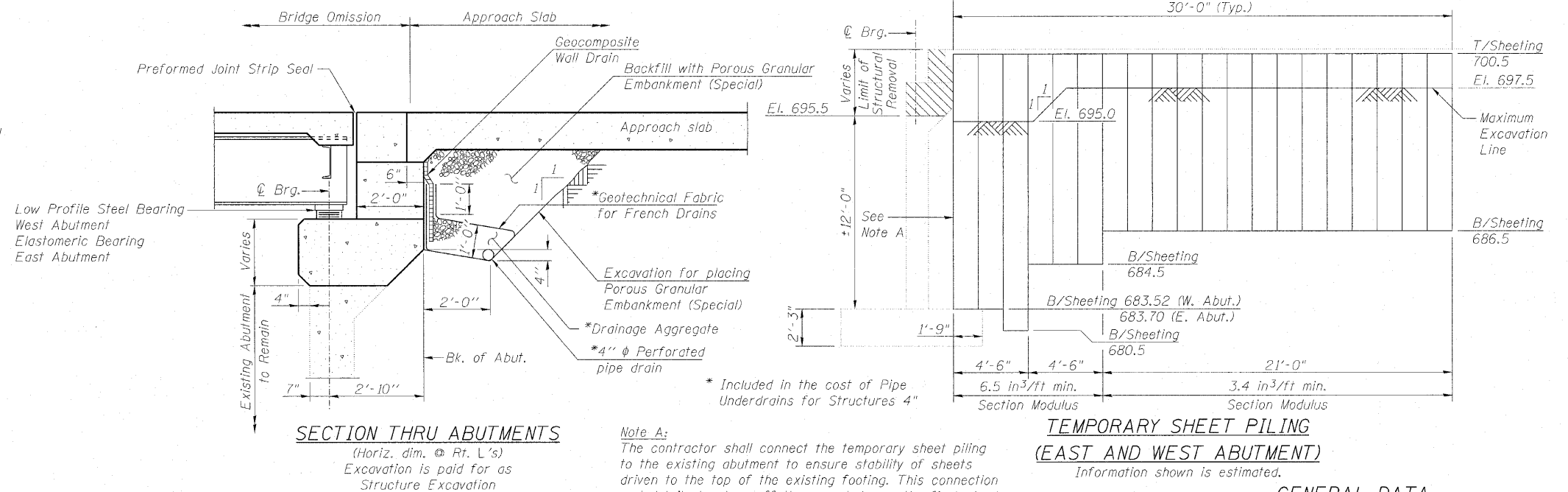
STATE OF ILLINOIS
DEPARTMENT OF TRANSPORTATION

TOTAL BILL OF MATERIAL

ITEM	UNIT	SUPER	SUB	TOTAL
Porous Granular Embankment, Special	Cu. Yd.	0	88	88
Removal of Existing Superstructures	Each	1	0	1
Concrete Removal	Cu. Yd.	0	64.4	64.4
Structure Excavation	Cu. Yd.	0	98	98
Concrete Structures	Cu. Yd.	0	134.3	134.3
Concrete Superstructure	Cu. Yd.	394.8	0	394.8
Bridge Deck Grooving	Sq. Yd.	918	0	918
Protective Coat	Sq. Yd.	1,101	0	1,101
Furnishing and Erecting Structural Steel	L. Sum	1	0	1
Stud Shear Connectors	Each	3,672	0	3,672
Reinforcement Bars, Epoxy Coated	Pound	90,020	15,760	105,780
Bar Splicers	Each	355	300	655
Bicycle Railing	Foot	120	0	120
Parapet Railing	Foot	120	0	120
Temporary Sheet Piling	Sq. Ft.	0	894	894
Name Plates	Each	1	0	1
Preformed Joint Strip Seal	Foot	178	0	178
Elastomeric Bearing Assembly, Type I	Each	0	12	12
Anchor Bolts, 3/8"	Each	0	24	24
Anchor Bolts, 3/4"	Each	0	24	24
Concrete Sealer	Sq. Ft.	0	930	930
Epoxy Crack Injection	Foot	0	15	15
Geocomposite Wall Drain	Sq. Yd.	0	78	78
Pipe Underdrains for Structures 4"	Foot	0	185	185
Structural Repair of Concrete (depth greater than 5 inches)	Sq. Ft.	0	128	128
Structural Repair of Concrete (depth equal to or less than 5 inches)	Sq. Ft.	0	34	34
Bridge Fence Railing (Special)	Sq. Ft.	0	364	364
Asbestos Bearing Pad Removal	Each	58	0	58

INDEX OF DRAWINGS

- S1 General Plan and Elevation
- S2 General Data
- S3 Construction Stages
- S4 Top of Deck Elevations (Sheet 1 of 2)
- S5 Top of Deck Elevations (Sheet 2 of 2)
- S6 Top of Approach Slab Elevations
- S7 Superstructure Plan and Cross Section
- S8 Superstructure Details
- S9 East Bridge Approach Slab Details (Sheet 1 of 2)
- S10 East Bridge Approach Slab Details (Sheet 2 of 2)
- S11 West Bridge Approach Slab Details (Sheet 1 of 2)
- S12 West Bridge Approach Slab Details (Sheet 2 of 2)
- S13 Bicycle Railing
- S14 Bridge Fence Railing (Special) (Sheet 1 of 2)
- S15 Bridge Fence Railing (Special) (Sheet 2 of 2)
- S16 Preformed Joint Strip Seal
- S17 Framing Plan Details
- S18 Steel Details
- S19 Bearing Details
- S20 Existing East Abutment
- S21 Existing West Abutment
- S22 Proposed East Abutment
- S23 Proposed West Abutment
- S24 Abutment Details
- S25 Bar Splicer Assembly and Mechanical Splicer Details
- S26 Cantilever Forming Brackets for Superstructures with W27 Beams and Smaller
- S27 Temporary Concrete Barrier for Stage Construction



SECTION THRU ABUTMENTS

(Horiz. dim. @ Rt. L's)
Excavation is paid for as
Structure Excavation

Note A:

The contractor shall connect the temporary sheet piling to the existing abutment to ensure stability of sheets driven to the top of the existing footing. This connection and details to close off the area between the first sheet and the abutment stem shall be reviewed and approved by the engineer and all cost shall be included under Temporary Sheet Piling pay item.

All drainage system components shall extend the full length of the abutments except an outlet pipe shall extend until intersecting with the wingwalls. The wingwalls shall be cored to accept the outlet pipe. The outlet pipe shall not be located closer than 2'-0" to the top of the wingwall. This work shall be included in the pay item for Pipe Underdrains for Structures 4".

**TEMPORARY SHEET PILING
(EAST AND WEST ABUTMENT)**

Information shown is estimated.

GENERAL DATA

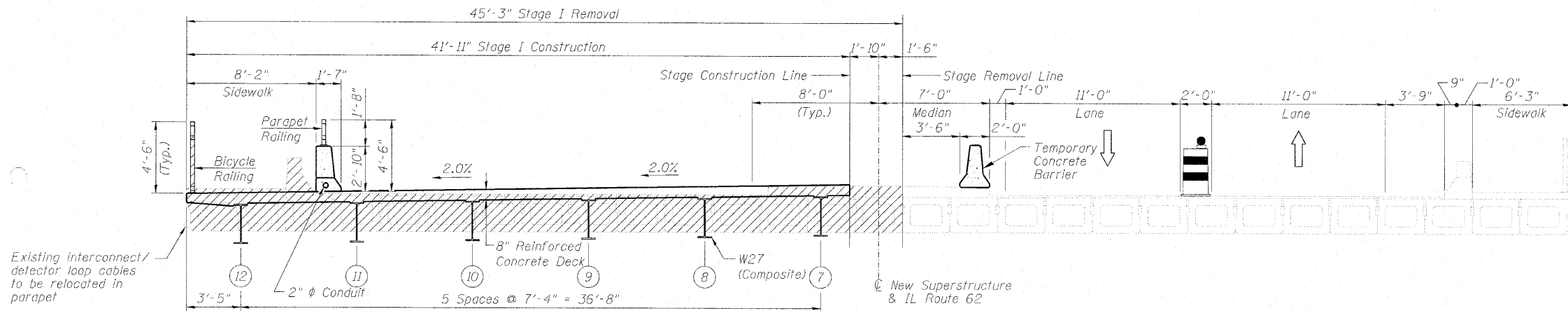
STRUCTURE NO. 016-0581

DESIGNED MAH
CHECKED JMH
DRAWN DR
CHECKED JMH

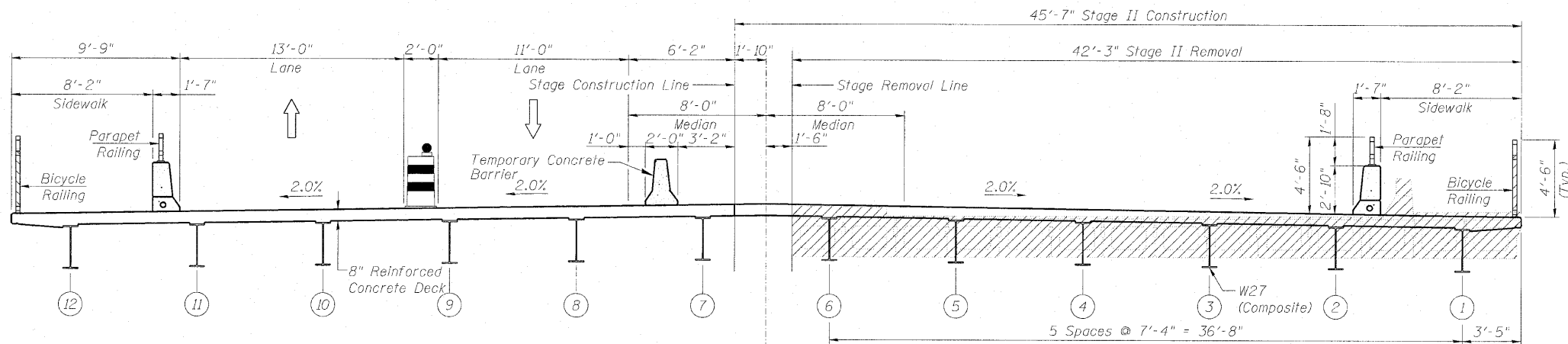
COLLINS ENGINEERS
123 N. WACKER DR., SUITE 300
CHICAGO, IL 60606
(312) 704-9300
ILLINOIS PROFESSIONAL DESIGN FIRM LICENSE NO. 184-000993

SHEET NO. S2 OF S27 SHEETS	F.A.P. RTE. 339	SECTION 116-Y-2-BR-1	COUNTY COOK	TOTAL SHEETS 74	SHEET NO. 24
	CONTRACT NO. 60J00				
ILLINOIS FED. AID PROJECT					

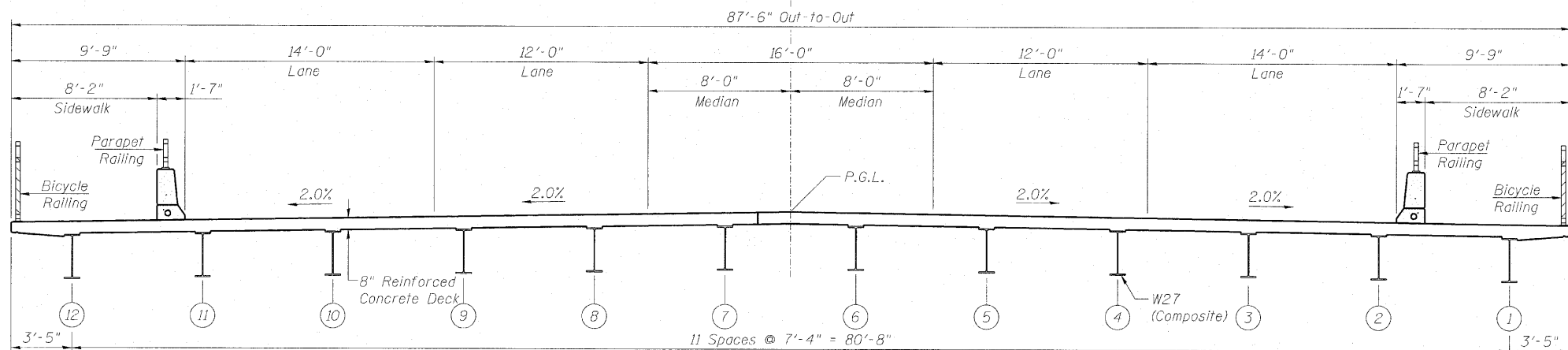
STATE OF ILLINOIS
DEPARTMENT OF TRANSPORTATION



STAGE I CROSS-SECTION
(Looking West)



STAGE II CROSS-SECTION
(Looking West)



PROPOSED CROSS-SECTION
(Looking West)

Notes:
The existing conduit located on the south fascia of the bridge shall be relocated/temporarily supported during construction. This work shall be included in the pay item for "Removal of Existing Superstructures".

See sheet S2 of S27 for Staged Construction Temporary Sheet Piling Details.

For quantity of Temporary Concrete Barrier see Roadway Plans.

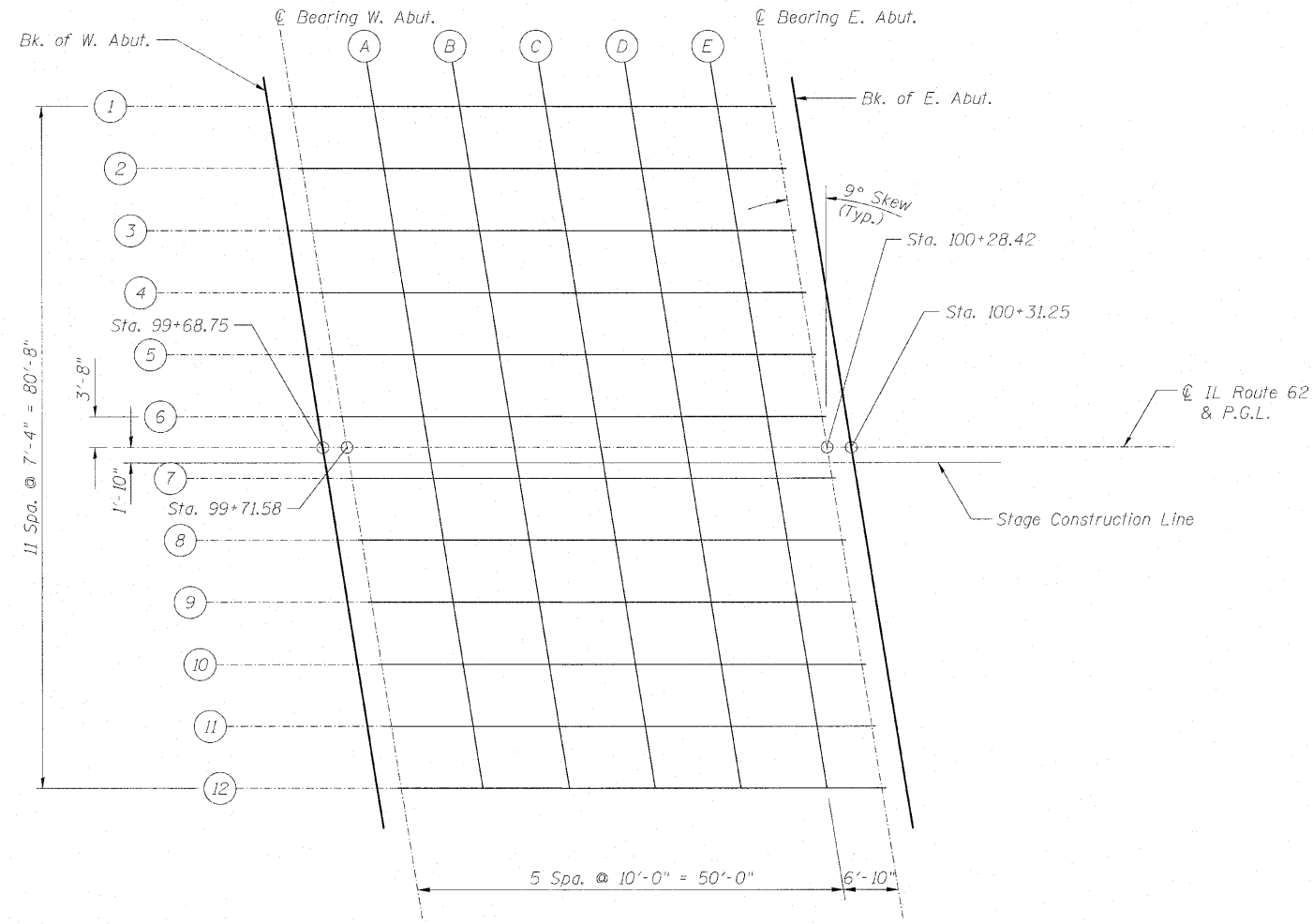
CONSTRUCTION STAGES
STRUCTURE NO. 016-0581

DESIGNED	MAH
CHECKED	JMH
DRAWN	DR
CHECKED	JMH

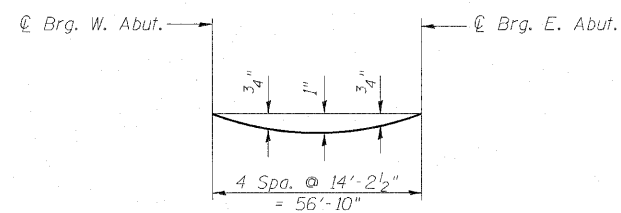
COLLINS ENGINEERS
123 N. WACKER DR., SUITE 300
CHICAGO, IL 60606
(312) 704-9300
ILLINOIS PROFESSIONAL DESIGN FIRM LICENSE NO. 184-000993

SHEET NO. S3 OF S27 SHEETS	F.A.P. RTE.	SECTION	COUNTY	TOTAL SHEETS	SHEET NO.
	339	116-Y-2-BR-1	COOK	74	25
CONTRACT NO. 60J00					
ILLINOIS FED. AID PROJECT					

STATE OF ILLINOIS
DEPARTMENT OF TRANSPORTATION



DECK PLAN



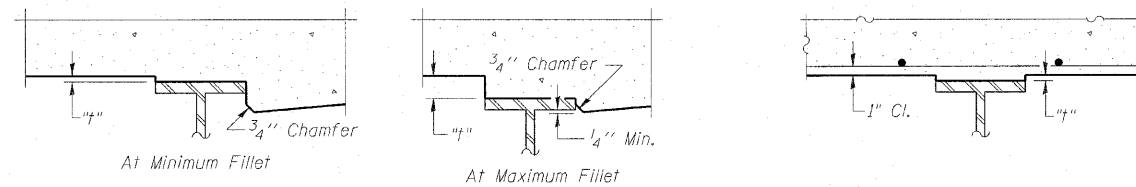
DEAD LOAD DEFLECTION DIAGRAM

(Includes weight of Concrete Deck and all Superimposed Dead Load Except Future Wearing Surface)

Note:

The above deflections are not to be used in the field if the engineer is working from the "Theoretical Grade Elevations Adjusted for Dead Load Deflection."

DESIGNED	MAH
CHECKED	JMH
DRAWN	DR
CHECKED	JMH



EXTERIOR BEAMS

INTERIOR BEAM

NOTE:

To determine "t": After all structural steel has been erected, elevations of the top flanges of the beams shall be taken at intervals shown on sheet S5. These elevations subtracted from the "Theoretical Grade Elevations Adjusted for Dead Load Deflection" shown on sheet S5, minus slab thickness, equals the fillet heights "t" above top flange of beams.

FILLET HEIGHTS

(Sheet 1 of 2)
TOP OF DECK ELEVATIONS
STRUCTURE NO. 016-0581

COLLINS ENGINEERS
123 N. WACKER DR.,
SUITE 300
CHICAGO, IL 60606
(312) 704-9300
ILLINOIS PROFESSIONAL DESIGN FIRM LICENSE NO. 184-000993

SHEET NO. S4 OF S27 SHEETS	F.A.P. RTE.	SECTION	COUNTY	TOTAL SHEETS	SHEET NO.
	339	116-Y-2-BR-1	COOK	74	26
			CONTRACT NO. 60J00		
ILLINOIS FED. AID PROJECT					

STATE OF ILLINOIS
DEPARTMENT OF TRANSPORTATION

BEAM 1

Location	Station	Offset	Theoretical Grade Elevations	Theoretical Grade Elevations Adjusted for Dead Load Deflection
Bk. of W. Abut.	99+62.36	40.33	700.28	700.28
CL Brg at W. Abut.	99+65.20	40.33	700.30	700.30
A	99+75.20	40.33	700.37	700.41
B	99+85.20	40.33	700.43	700.50
C	99+95.20	40.33	700.48	700.55
D	100+05.20	40.33	700.51	700.57
E	100+15.20	40.33	700.52	700.55
CL Brg at E. Abut.	100+22.03	40.33	700.52	700.52
Bk. of E. Abut.	100+24.86	40.33	700.52	700.52

BEAM 2

Location	Station	Offset	Theoretical Grade Elevations	Theoretical Grade Elevations Adjusted for Dead Load Deflection
Bk. of W. Abut.	99+63.52	33.00	700.43	700.43
CL Brg at W. Abut.	99+66.36	33.00	700.46	700.46
A	99+76.36	33.00	700.53	700.57
B	99+86.36	33.00	700.59	700.65
C	99+96.36	33.00	700.63	700.71
D	100+06.36	33.00	700.66	700.72
E	100+16.36	33.00	700.67	700.70
CL Brg at E. Abut.	100+23.19	33.00	700.67	700.67
Bk. of E. Abut.	100+26.02	33.00	700.67	700.67

BEAM 3

Location	Station	Offset	Theoretical Grade Elevations	Theoretical Grade Elevations Adjusted for Dead Load Deflection
Bk. of W. Abut.	99+64.68	25.67	700.59	700.59
CL Brg at W. Abut.	99+67.52	25.67	700.61	700.61
A	99+77.52	25.67	700.68	700.72
B	99+87.52	25.67	700.74	700.81
C	99+97.52	25.67	700.78	700.86
D	100+07.52	25.67	700.80	700.87
E	100+17.52	25.67	700.82	700.85
CL Brg at E. Abut.	100+24.35	25.67	700.81	700.81
Bk. of E. Abut.	100+27.18	25.67	700.81	700.81

BEAM 4

Location	Station	Offset	Theoretical Grade Elevations	Theoretical Grade Elevations Adjusted for Dead Load Deflection
Bk. of W. Abut.	99+65.85	18.33	700.75	700.75
CL Brg at W. Abut.	99+68.68	18.33	700.77	700.77
A	99+78.68	18.33	700.84	700.88
B	99+88.68	18.33	700.89	700.96
C	99+98.68	18.33	700.93	701.01
D	100+08.68	18.33	700.95	701.02
E	100+18.68	18.33	700.96	700.99
CL Brg at E. Abut.	100+25.51	18.33	700.96	700.96
Bk. of E. Abut.	100+28.35	18.33	700.96	700.96

BEAM 5

Location	Station	Offset	Theoretical Grade Elevations	Theoretical Grade Elevations Adjusted for Dead Load Deflection
Bk. of W. Abut.	99+67.01	11.00	700.90	700.90
CL Brg at W. Abut.	99+69.84	11.00	700.92	700.92
A	99+79.84	11.00	700.99	701.03
B	99+89.84	11.00	701.04	701.11
C	99+99.84	11.00	701.08	701.16
D	100+09.84	11.00	701.10	701.17
E	100+19.84	11.00	701.11	701.14
CL Brg at E. Abut.	100+26.67	11.00	701.11	701.11
Bk. of E. Abut.	100+29.51	11.00	701.10	701.10

BEAM 6

Location	Station	Offset	Theoretical Grade Elevations	Theoretical Grade Elevations Adjusted for Dead Load Deflection
Bk. of W. Abut.	99+68.17	3.67	701.06	701.06
CL Brg at W. Abut.	99+71.00	3.67	701.08	701.08
A	99+81.00	3.67	701.14	701.19
B	99+91.00	3.67	701.19	701.26
C	100+01.00	3.67	701.23	701.31
D	100+11.00	3.67	701.25	701.31
E	100+21.00	3.67	701.26	701.29
CL Brg at E. Abut.	100+27.84	3.67	701.25	701.25
Bk. of E. Abut.	100+30.67	3.67	701.25	701.25

CL Roadway & PGL

Location	Station	Offset	Theoretical Grade Elevations	Theoretical Grade Elevations Adjusted for Dead Load Deflection
Bk. of W. Abut.	99+68.75	0.00	701.13	701.13
CL Brg at W. Abut.	99+71.58	0.00	701.16	701.16
A	99+81.58	0.00	701.22	701.26
B	99+91.58	0.00	701.27	701.34
C	100+01.58	0.00	701.30	701.38
D	100+11.58	0.00	701.32	701.39
E	100+21.58	0.00	701.33	701.36
CL Brg at E. Abut.	100+28.42	0.00	701.32	701.32
Bk. of E. Abut.	100+31.25	0.00	701.32	701.32

Stage Construction Line

Location	Station	Offset	Theoretical Grade Elevations	Theoretical Grade Elevations Adjusted for Dead Load Deflection
Bk. of W. Abut.	99+69.04	1.83	701.10	701.10
CL Brg at W. Abut.	99+71.87	1.83	701.12	701.12
A	99+81.87	1.83	701.19	701.23
B	99+91.87	1.83	701.23	701.30
C	100+01.87	1.83	701.27	701.35
D	100+11.87	1.83	701.29	701.35
E	100+21.87	1.83	701.29	701.32
CL Brg at E. Abut.	100+28.71	1.83	701.29	701.29
Bk. of E. Abut.	100+31.54	1.83	701.29	701.29

BEAM 7

Location	Station	Offset	Theoretical Grade Elevations	Theoretical Grade Elevations Adjusted for Dead Load Deflection
Bk. of W. Abut.	99+69.33	3.67	701.07	701.07
CL Brg at W. Abut.	99+72.16	3.67	701.09	701.09
A	99+82.16	3.67	701.15	701.19
B	99+92.16	3.67	701.20	701.27
C	100+02.16	3.67	701.23	701.31
D	100+12.16	3.67	701.25	701.32
E	100+22.16	3.67	701.26	701.29
CL Brg at E. Abut.	100+29.00	3.67	701.25	701.25
Bk. of E. Abut.	100+31.83	3.67	701.25	701.25

BEAM 8

Location	Station	Offset	Theoretical Grade Elevations	Theoretical Grade Elevations Adjusted for Dead Load Deflection
Bk. of W. Abut.	99+70.49	11.00	700.93	700.93
CL Brg at W. Abut.	99+73.33	11.00	700.95	700.95
A	99+83.33	11.00	701.01	701.05
B	99+93.33	11.00	701.06	701.13
C	100+03.33	11.00	701.09	701.17
D	100+13.33	11.00	701.11	701.17
E	100+23.33	11.00	701.11	701.14
CL Brg at E. Abut.	100+30.16	11.00	701.10	701.10
Bk. of E. Abut.	100+32.99	11.00	701.10	701.10

BEAM 9

Location	Station	Offset	Theoretical Grade Elevations	Theoretical Grade Elevations Adjusted for Dead Load Deflection
Bk. of W. Abut.	99+71.65	18.33	700.79	700.79
CL Brg at W. Abut.	99+74.49	18.33	700.81	700.81
A	99+84.49	18.33	700.87	700.91
B	99+94.49	18.33	700.91	700.98
C	100+04.49	18.33	700.95	701.02
D	100+14.49	18.33	700.96	701.02
E	100+24.49	18.33	700.96	700.99
CL Brg at E. Abut.	100+31.32	18.33	700.95	700.95
Bk. of E. Abut.	100+34.15	18.33	700.95	700.95

BEAM 10

Location	Station	Offset	Theoretical Grade Elevations	Theoretical Grade Elevations Adjusted for Dead Load Deflection
Bk. of W. Abut.	99+72.82	25.67	700.65	700.65
CL Brg at W. Abut.	99+75.65	25.67	700.67	700.67
A	99+85.65	25.67	700.73	700.77
B	99+95.65	25.67	700.77	700.84
C	100+05.65	25.67	700.80	700.86
D	100+15.65	25.67	700.81	700.88
E	100+25.65	25.67	700.81	700.84
CL Brg at E. Abut.	100+32.48	25.67	700.80	700.80
Bk. of E. Abut.	100+35.32	25.67	700.80	700.80

BEAM 11

Location	Station	Offset	Theoretical Grade Elevations	Theoretical Grade Elevations Adjusted for Dead Load Deflection
Bk. of W. Abut.	99+73.98	33.00	700.51	700.51
CL Brg at W. Abut.	99+76.81	33.00	700.53	700.53
A	99+86.81	33.00	700.59	700.63
B	99+96.81	33.00	700.63	700.70
C	100+06.81	33.00	700.66	700.73
D	100+16.81	33.00	700.67	700.73
E	100+26.81	33.00	700.67	700.70
CL Brg at E. Abut.	100+33.64	33.00	700.66	700.66
Bk. of E. Abut.	100+36.48	33.00	700.65	700.65

BEAM 12

Location	Station	Offset	Theoretical Grade Elevations	Theoretical Grade Elevations Adjusted for Dead Load Deflection
Bk. of W. Abut.	99+75.14	40.33	700.37	700.37
CL Brg at W. Abut.	99+77.97	40.33	700.39	700.39
A	99+87.97	40.33	700.45	700.49
B	99+97.97	40.33	700.49	700.55
C	100+07.97	40.33	700.51	700.59
D	100+17.97	40.33	700.52	700.58
E	100+27.97	40.33	700.52	700.55
CL Brg at E. Abut.	100+34.80	40.33	700.51	700.51
Bk. of E. Abut.	100+37.64	40.33	700.50	700.50

DESIGNED MAH
CHECKED JMH
DRAWN DR
CHECKED JMH

(Sheet 2 of 2)
TOP OF DECK ELEVATIONS
STRUCTURE NO. 016-0581

COLLINS ENGINEERS
123 N. WACKER DR., SUITE 300 CHICAGO, IL 60606 (312) 704-9300
ILLINOIS PROFESSIONAL DESIGN FIRM LICENSE NO. 184-000993

SHEET NO. 55 OF 27 SHEETS	F.A.P. RTE. 339	SECTION 116-Y-2-BR-1	COUNTY COOK	TOTAL SHEETS 74	SHEET NO. 27
ILLINOIS FED. AID PROJECT			CONTRACT NO. 60J00		

STATE OF ILLINOIS
DEPARTMENT OF TRANSPORTATION

NORTH EDGE OF SLAB

Locations	Stations	Offset	Theoretical Grade Elevations
W. End of W. Appr. Pav't	99+33.61	35.58	700.06
A1	99+43.61	35.58	700.18
A2	99+53.61	35.58	700.29
E. End of W. Appr. Pav't	99+63.61	35.58	700.38

NORTH EDGE OF PAVEMENT/FACE OF PARAPET

Locations	Stations	Offset	Theoretical Grade Elevations
W. End of W. Appr. Pav't	99+33.86	34.00	700.10
A1	99+43.86	34.00	700.22
A2	99+53.86	34.00	700.32
E. End of W. Appr. Pav't	99+63.86	34.00	700.42

PGL

Locations	Stations	Offset	Theoretical Grade Elevations
W. End of W. Appr. Pav't	99+39.25	0.00	700.84
A1	99+49.25	0.00	700.96
A2	99+59.25	0.00	701.06
E. End of W. Appr. Pav't	99+69.25	0.00	701.14

STAGE CONSTRUCTION JOINT

Locations	Stations	Offset	Theoretical Grade Elevations
W. End of W. Appr. Pav't	99+39.54	1.83	700.81
A1	99+49.54	1.83	700.92
A2	99+59.54	1.83	701.02
E. End of W. Appr. Pav't	99+69.54	1.83	701.10

SOUTH EDGE OF PAVEMENT/FACE OF CURB

Locations	Stations	Offset	Theoretical Grade Elevations
W. End of W. Appr. Pav't	99+44.64	34.42	700.22
A1	99+54.64	34.42	700.32
A2	99+64.64	34.00	700.42
E. End of W. Appr. Pav't	99+74.64	34.00	700.50

SOUTH EDGE OF SLAB

Locations	Stations	Offset	Theoretical Grade Elevations
W. End of W. Appr. Pav't	99+46.18	34.92	700.21
A1	99+56.18	34.92	700.32
A2	99+66.18	35.58	700.39
E. End of W. Appr. Pav't	99+76.18	35.58	700.47

NORTH EDGE OF SLAB

Locations	Stations	Offset	Theoretical Grade Elevations
W. End of E. Appr. Pav't	100+25.11	35.58	700.62
A3	100+35.11	35.58	700.60
A4	100+45.11	35.58	700.57
E. End of E. Appr. Pav't	100+55.11	35.58	700.53

NORTH EDGE OF PAVEMENT/FACE OF PARAPET

Locations	Stations	Offset	Theoretical Grade Elevations
W. End of E. Appr. Pav't	100+25.36	34.00	700.65
A3	100+35.36	34.00	700.63
A4	100+45.36	34.00	700.60
E. End of E. Appr. Pav't	100+55.36	34.00	700.56

PGL

Locations	Stations	Offset	Theoretical Grade Elevations
W. End of E. Appr. Pav't	100+30.75	0.00	701.32
A3	100+40.75	0.00	701.30
A4	100+50.75	0.00	701.26
E. End of E. Appr. Pav't	100+60.75	0.00	701.21

STAGE CONSTRUCTION JOINT

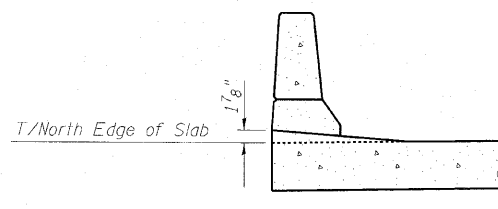
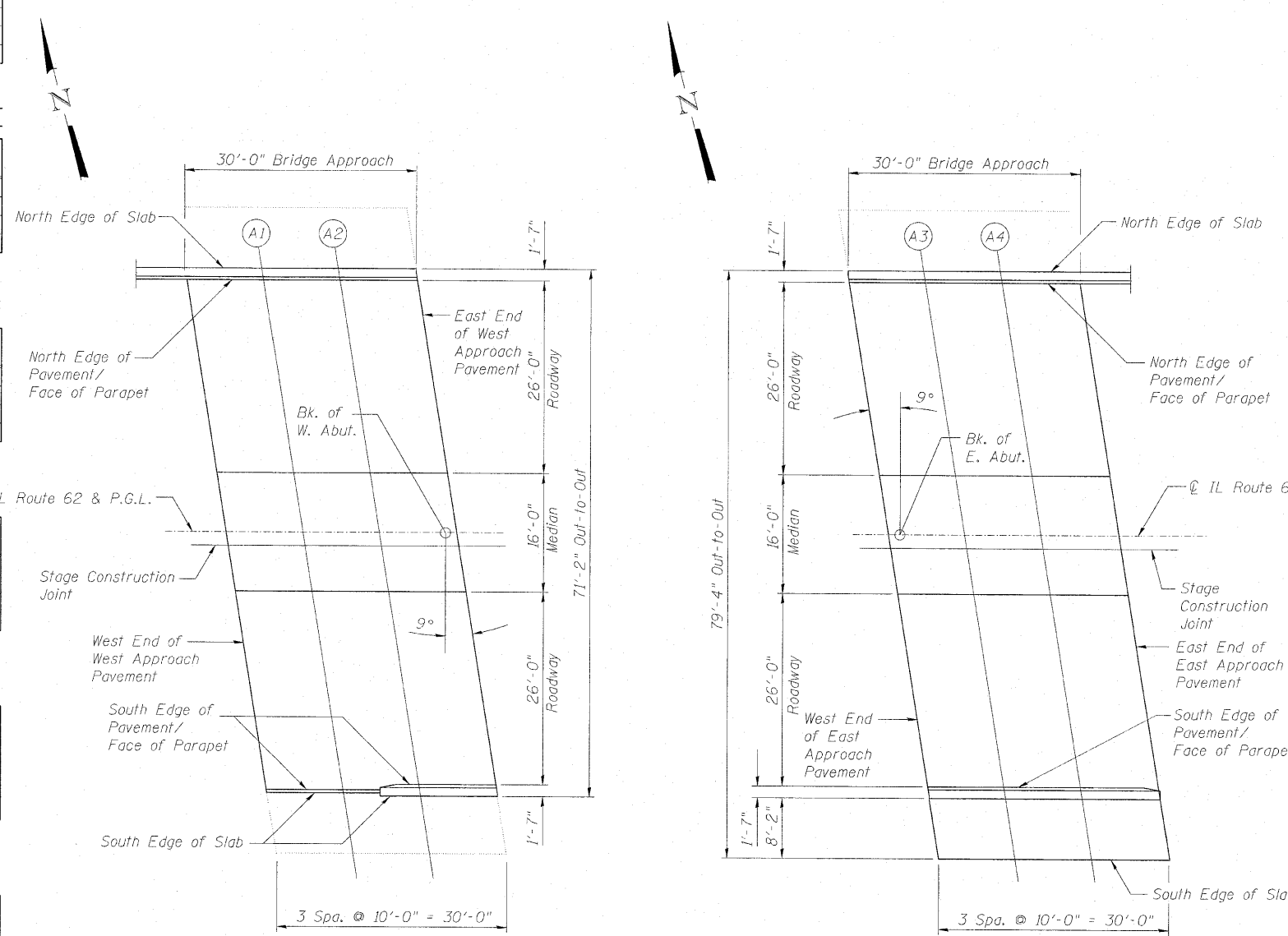
Locations	Stations	Offset	Theoretical Grade Elevations
W. End of E. Appr. Pav't	100+31.04	1.83	701.28
A3	100+41.04	1.83	701.26
A4	100+51.04	1.83	701.22
E. End of E. Appr. Pav't	100+61.04	1.83	701.17

SOUTH EDGE OF PAVEMENT/FACE OF PARAPET

Locations	Stations	Offset	Theoretical Grade Elevations
W. End of E. Appr. Pav't	100+36.14	34.00	700.63
A3	100+46.14	34.00	700.60
A4	100+56.14	34.00	700.55
E. End of E. Appr. Pav't	100+66.14	34.00	700.49

SOUTH EDGE OF SLAB

Locations	Stations	Offset	Theoretical Grade Elevations
W. End of E. Appr. Pav't	100+37.68	43.75	700.43
A3	100+47.68	43.75	700.40
A4	100+57.68	43.75	700.35
E. End of E. Appr. Pav't	100+67.68	43.75	700.28



NORTH PARAPET OFFSET
(Also South Parapet on West Approach)

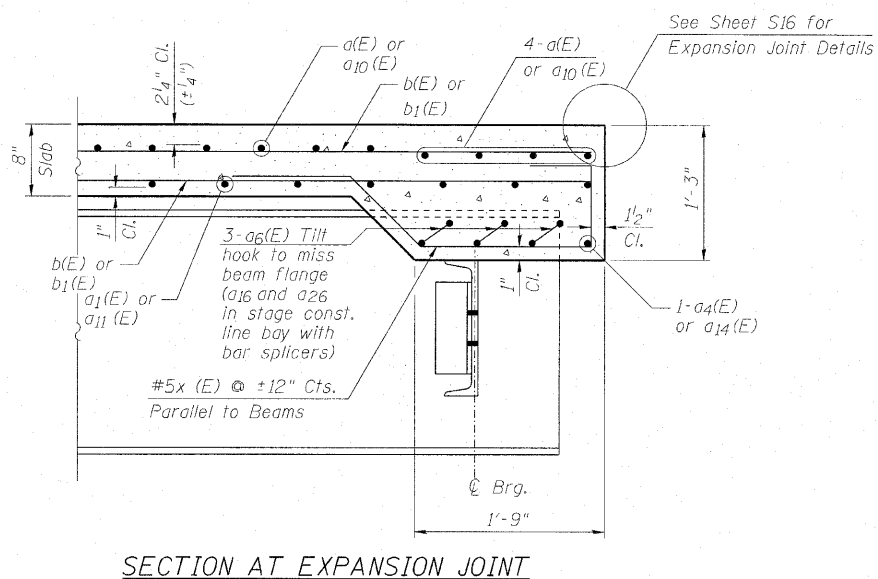
TOP OF APPROACH SLAB ELEVATIONS
STRUCTURE NO. 016-0581

DESIGNED MAH
CHECKED JMH
DRAWN DR
CHECKED JMH

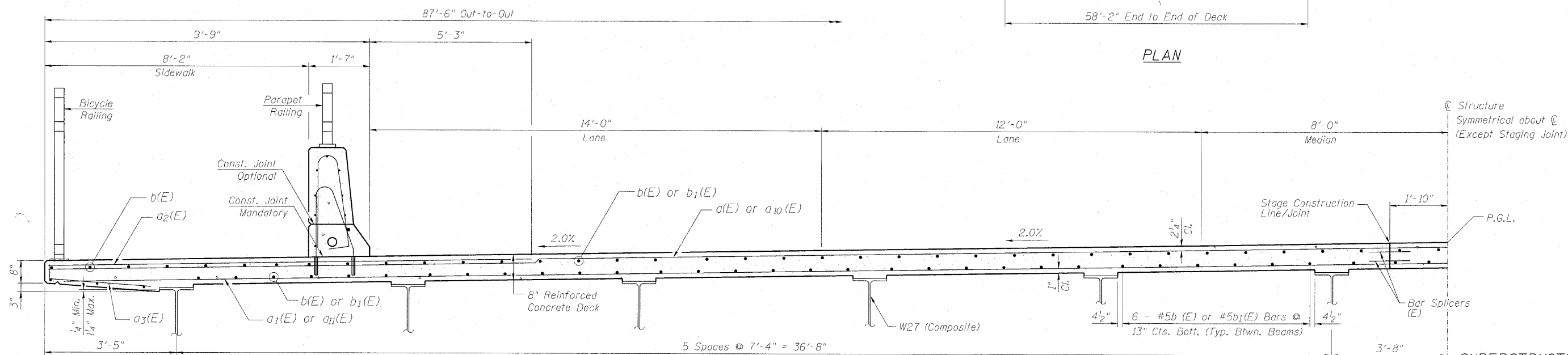
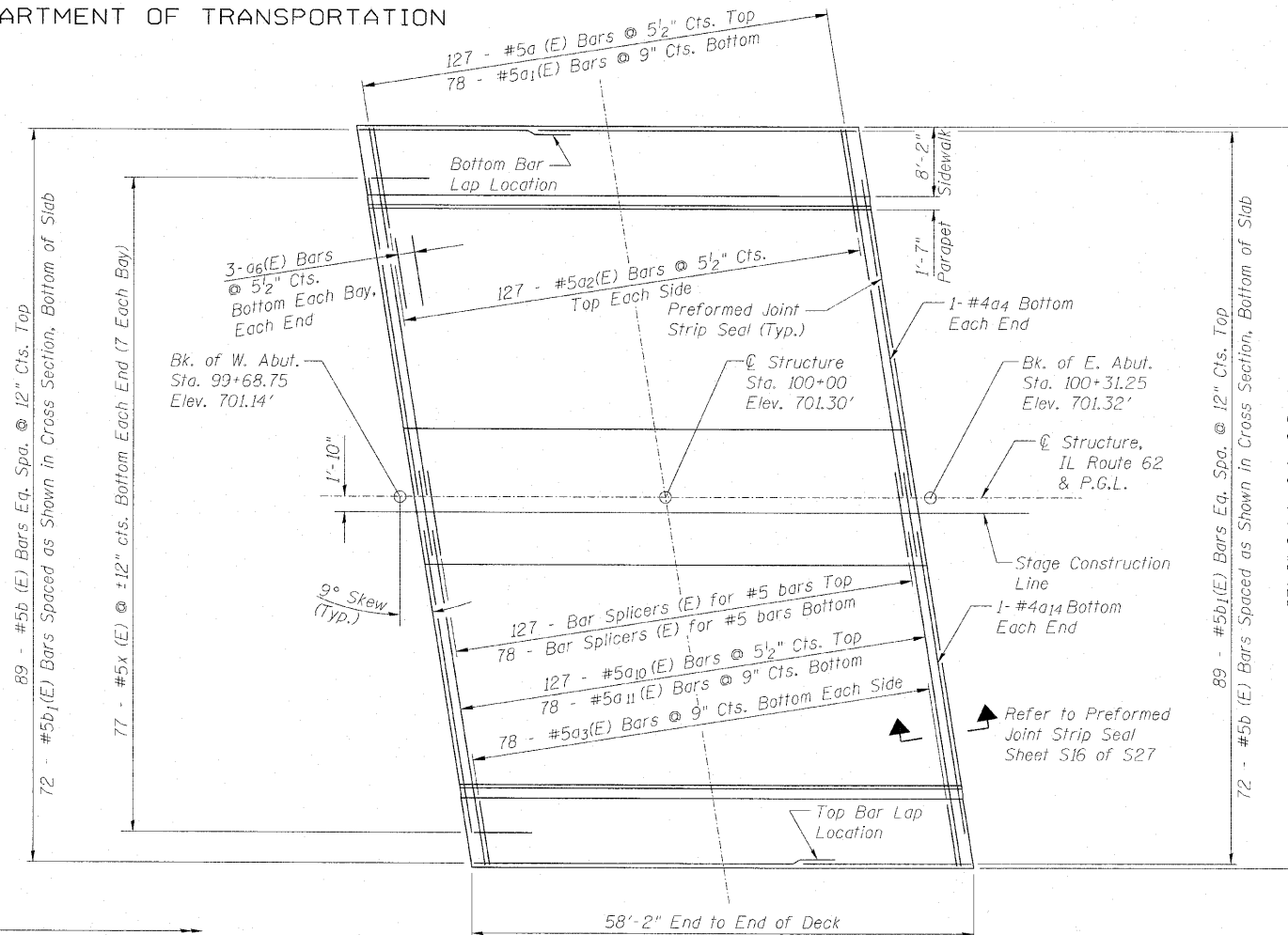
COLLINS ENGINEERS
123 N. WACKER DR., SUITE 300
CHICAGO, IL 60606
(312) 704-9300
ILLINOIS PROFESSIONAL DESIGN FIRM LICENSE NO. 184-000993

SHEET NO. 56 OF 27 SHEETS	F.A.P. RTE.	SECTION	COUNTY	TOTAL SHEETS	SHEET NO.
	339	116-Y-2-BR-1	COOK	74	28
			CONTRACT NO. 60J00		
ILLINOIS FED. AID PROJECT					

STATE OF ILLINOIS
DEPARTMENT OF TRANSPORTATION



Note:
See sheet S8 for Superstructure Details, Bar Details,
Parapet Reinforcement, and Bill of Materials.



DESIGNED	MAH
CHECKED	JMH
DRAWN	DR
CHECKED	JMH

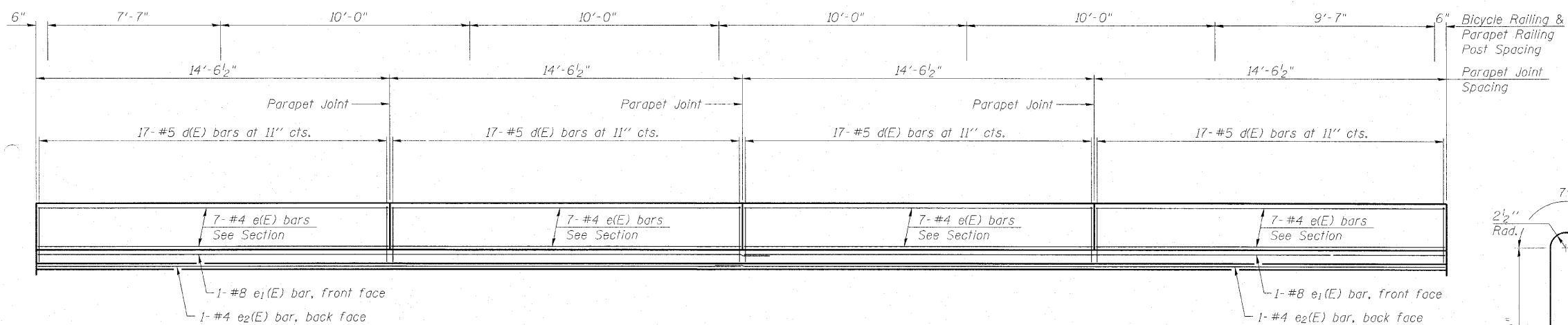
Minimum Bar Lap
#4 Bars = 2'-7"
#5 Bars = 3'-3"
#8 Bars = 6'-9"

COLLINS ENGINEERS
123 N. WACKER DR.,
SUITE 300
CHICAGO, IL 60606
(312) 704-9300
ILLINOIS PROFESSIONAL DESIGN FIRM LICENSE NO. 184-000993

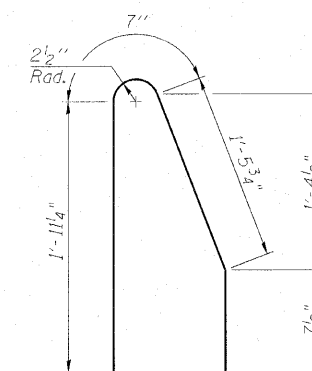
SHEET NO. S7 OF S27 SHEETS	F.A.P. RTE.	SECTION	COUNTY	TOTAL SHEETS	SHEET NO.
	339	116-Y-2-BR-1	COOK	74	29
CONTRACT NO. 60J00					

ILLINOIS FED. AID PROJECT

STATE OF ILLINOIS
DEPARTMENT OF TRANSPORTATION



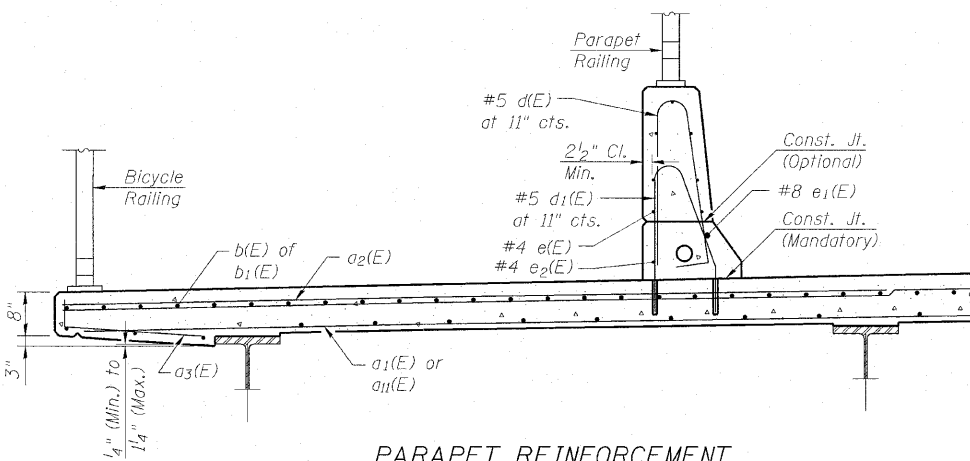
INSIDE ELEVATION OF PARAPET



BAR d₁(E)

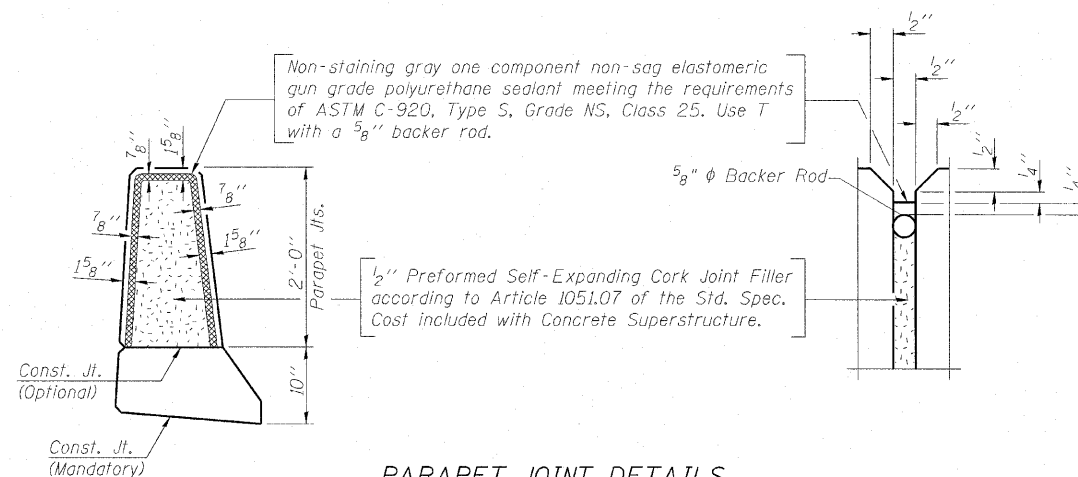
SUPERSTRUCTURE
BILL OF MATERIAL

Bar	No.	Size	Length	Shape
d(E)	127	#5	45'-10"	—
a ₁ (E)	78	#5	45'-6"	—
a ₂ (E)	254	#5	15'-0"	—
a ₃ (E)	156	#5	2'-8"	—
a ₄ (E)	2	#5	42'-4"	—
a ₆ (E)	60	#5	8'-4"	—
a ₁₀ (E)	127	#5	42'-2"	—
a ₁₁ (E)	78	#5	41'-10"	—
a ₁₄ (E)	2	#5	38'-7"	—
a ₁₆ (E)	6	#5	2'-2"	—
a ₂₆ (E)	6	#5	5'-10"	—
b(E)	161	#5	35'-7"	—
b ₁ (E)	161	#5	25'-7"	—
d(E)	136	#5	5'-7"	—
d ₁ (E)	136	#5	4'-8"	—
e(E)	56	#4	14'-2"	—
e ₁ (E)	4	#8	32'-6"	—
e ₂ (E)	4	#4	30'-5"	—
x(E)	154	#5	6'-5"	—
Reinforcement Bars, Epoxy Coated			Pound	37,640
Concrete Superstructure			Cu. Yds.	152.2

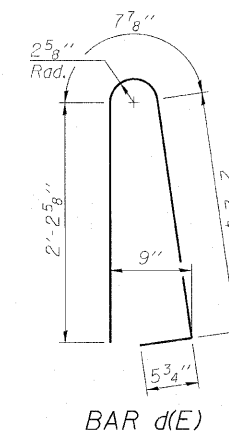


PARAPET REINFORCEMENT
FOR INTERIOR DECK PARAPET LOCATIONS

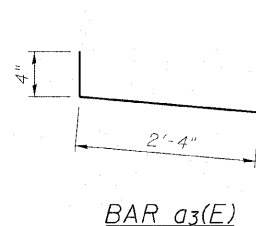
Core and set #5 d(E) bar according to Article 509.06 of the Standard Specifications. Cored holes shall be roughened or scored per manufacturer's recommendations. Maximum depth of hole shall not exceed 6".



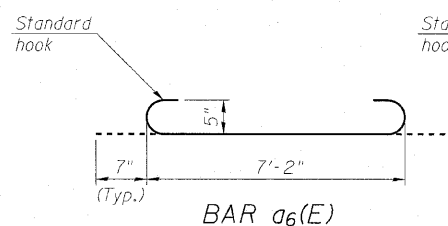
PARAPET JOINT DETAILS



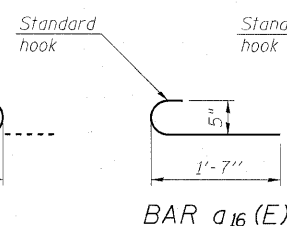
BAR d(E)



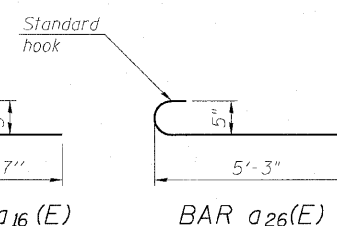
BAR a₃(E)



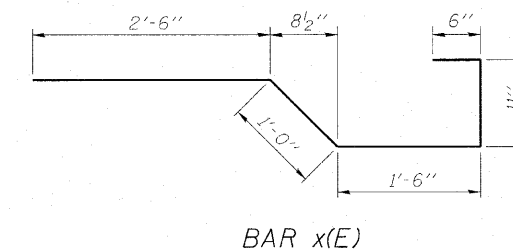
BAR a₆(E)



BAR a₁₆(E)



BAR a₂₆(E)



BAR x(E)

SUPERSTRUCTURE DETAILS
STRUCTURE NO. 016-0581

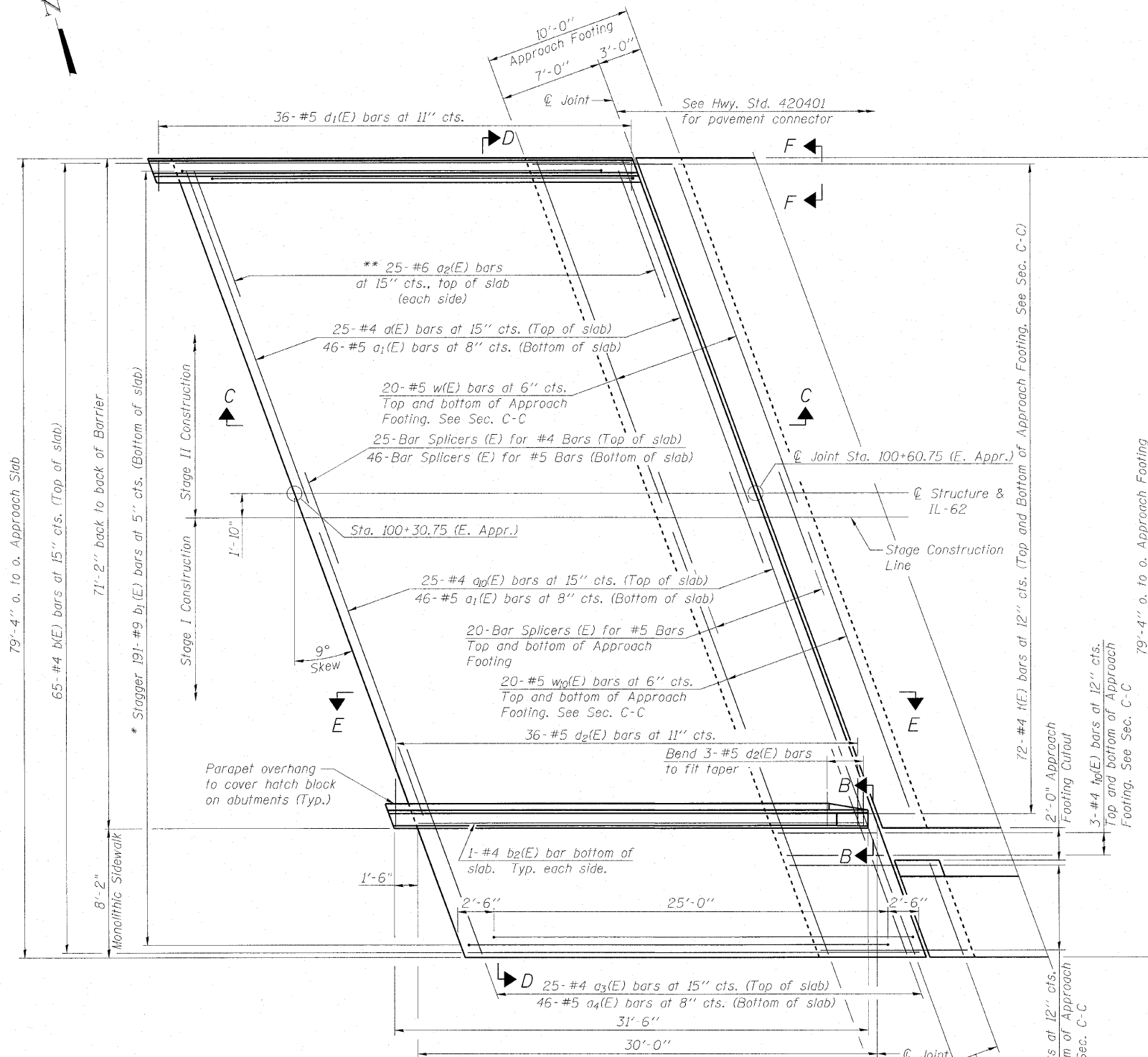
DESIGNED MAH
CHECKED JMH
DRAWN DR
CHECKED JMH

COLLINS ENGINEERS
123 N. WACKER DR., SUITE 300
CHICAGO, IL 60606
(312) 704-9300
ILLINOIS PROFESSIONAL DESIGN FIRM LICENSE NO. 184-000993

SHEET NO. S8 OF S27 SHEETS	F.A.P. RTE.	SECTION	COUNTY	TOTAL SHEETS	SHEET NO.
	339	116-Y-2-BR-1	COOK	74	30
CONTRACT NO. 60J00					
ILLINOIS FED. AID PROJECT					

STATE OF ILLINOIS
DEPARTMENT OF TRANSPORTATION

Notes:
See sheet S10 of S27 for Sections C-C & D-D and View E-E.
a(E), a₁(E), a₂(E) and a₃(E) bar spacings measured along \bar{C} Rdwy.



DESIGNED MAH
CHECKED JMH
DRAWN DR
CHECKED JMH

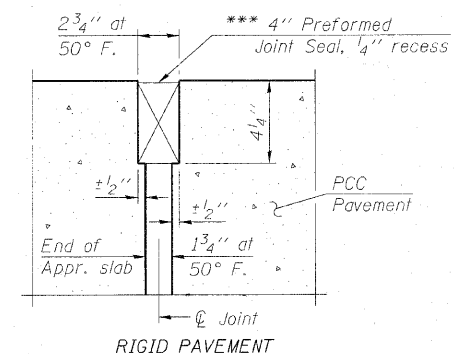
BA-R 11-1-09

PLAN

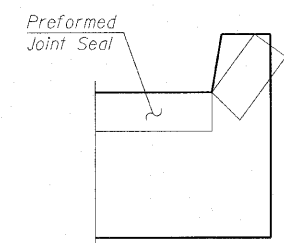
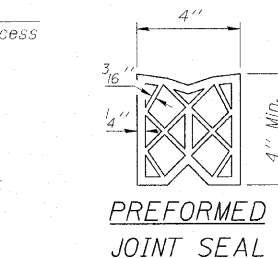
* Tilt #9 b₁(E) bars as required to maintain clearance.
** Space between a(E) and a₂(E) bars, typ. each parapet.

15-#5 w₁(E) bars at 6" cts.
Top and bottom of Approach Footing. See Sec. C-C
7-#5 w₂(E) bars at 6" cts.
Top and bottom of Approach Footing. See Sec. C-C

*** Cost included with Concrete Superstructure.

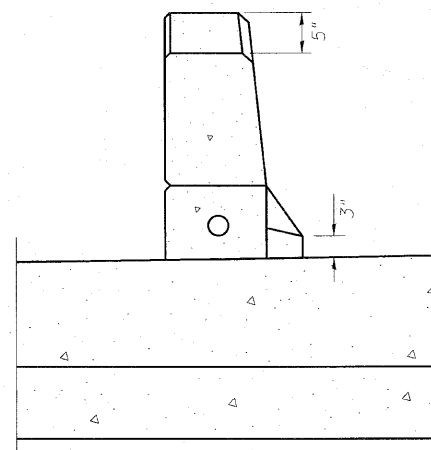


DETAIL A



VIEW F-F

Angle Preformed Joint Seal at 45° at curbs when req'd for drainage.



VIEW B-B

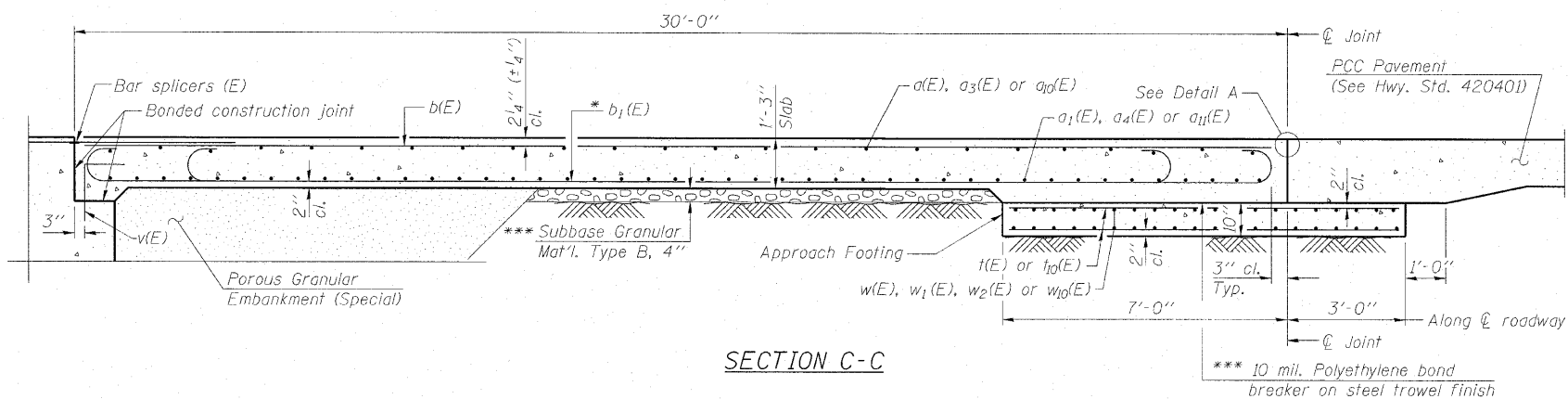
(Sheet 1 of 2)
EAST BRIDGE APPROACH SLAB DETAILS
STRUCTURE NO. 016-0581

COLLINS ENGINEERS
123 N. WACKER DR., SUITE 300
CHICAGO, IL 60606
(312) 704-9300
ILLINOIS PROFESSIONAL DESIGN FIRM LICENSE NO. 184-000993

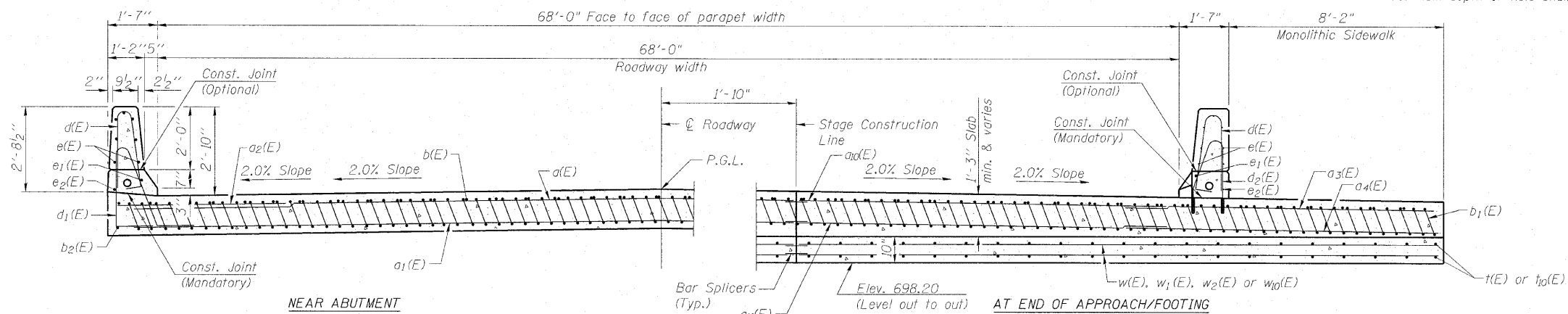
SHEET NO. S9 OF S27 SHEETS	F.A.P. RTE.	SECTION	COUNTY	TOTAL SHEETS	SHEET NO.
	339	116-Y-2-BR-1	COOK	74	31
CONTRACT NO. 60J00					
ILLINOIS FED. AID PROJECT					

STATE OF ILLINOIS
DEPARTMENT OF TRANSPORTATION

Notes:
See sheet S9 of S27 for Detail A and View B-B.
Approach slab and parapet concrete shall be paid for as Concrete Superstructure.
Approach footing concrete shall be paid for as Concrete Structures.
Reinforcement shall be paid for as Reinforcement Bars, Epoxy Coated.
For v(E) bar details, see sheet S24 of S27.
The approach footing maximum applied service bearing pressure (Q_{max}) = 2.0 ksf.
For bar splicer details, see sheet S25 of S27.
Cost of excavation for approach footing included with Concrete Structures.
For Porous Granular Embankment (Special) and drainage treatment details, see sheet S2 of S27.
For additional parapet details, see sheet S16 of S27.



SECTION C-C



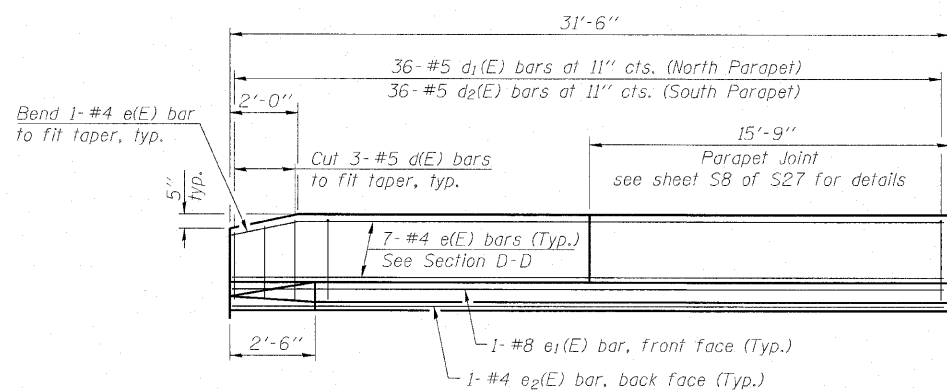
SECTION D-D

(See Plan for dimensions not shown)

Core and set #5 $d_2(E)$ bar according to Article 509.06 of the Standard Specifications. Cored holes shall be roughened or scored per manufacturer's recommendations. Maximum depth of hole shall not exceed 6".

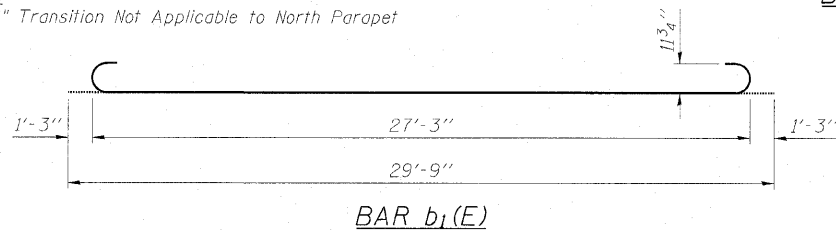
EAST APPROACH
BILL OF MATERIAL

Bar	No.	Size	Length	Shape
a(E)	25	#4	37'-6"	—
a1(E)	46	#5	37'-6"	—
a2(E)	50	#6	6'-6"	—
a3(E)	25	#4	10'-9"	—
a4(E)	46	#5	11'-5"	—
a10(E)	25	#4	33'-10"	—
a11(E)	46	#5	33'-10"	—
b(E)	65	#4	29'-8"	—
b1(E)	191	#9	29'-9"	—
b2(E)	2	#4	29'-8"	—
d(E)	72	#5	5'-7"	—
d1(E)	36	#5	7'-11"	—
d2(E)	36	#5	4'-8"	—
e(E)	28	#4	15'-5"	—
e1(E)	2	#8	31'-2"	—
e2(E)	2	#4	31'-2"	—
t(E)	158	#4	9'-9"	—
t10(E)	6	#4	6'-9"	—
w(E)	40	#5	37'-6"	—
w1(E)	30	#5	7'-11"	—
w2(E)	14	#5	5'-11"	—
w10(E)	40	#5	33'-10"	—
Concrete Superstructure		Cu. Yd.	129.4	
Concrete Structures		Cu. Yd.	24.6	
Reinforcement Bars, Epoxy Coated		Pound	32,130	

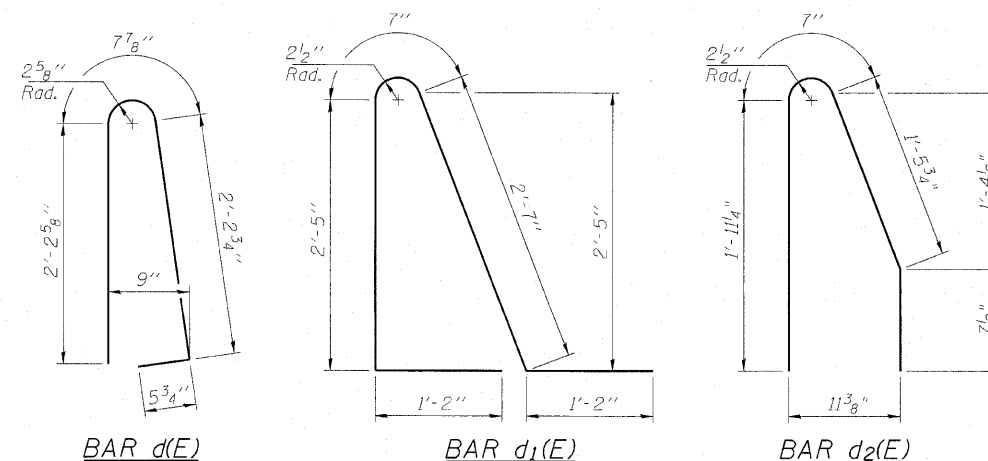


VIEW E-E

Note:
2'-6" Transition Not Applicable to North Parapet



BAR b1(E)



BAR d(E)

BAR d1(E)

BAR d2(E)

* Tilt #9 $b_1(E)$ bars as required to maintain clearance.
*** Cost included with Concrete Superstructure.

DESIGNED MAH
CHECKED JMH
DRAWN DR
CHECKED JMH

BA-R

11-1-09

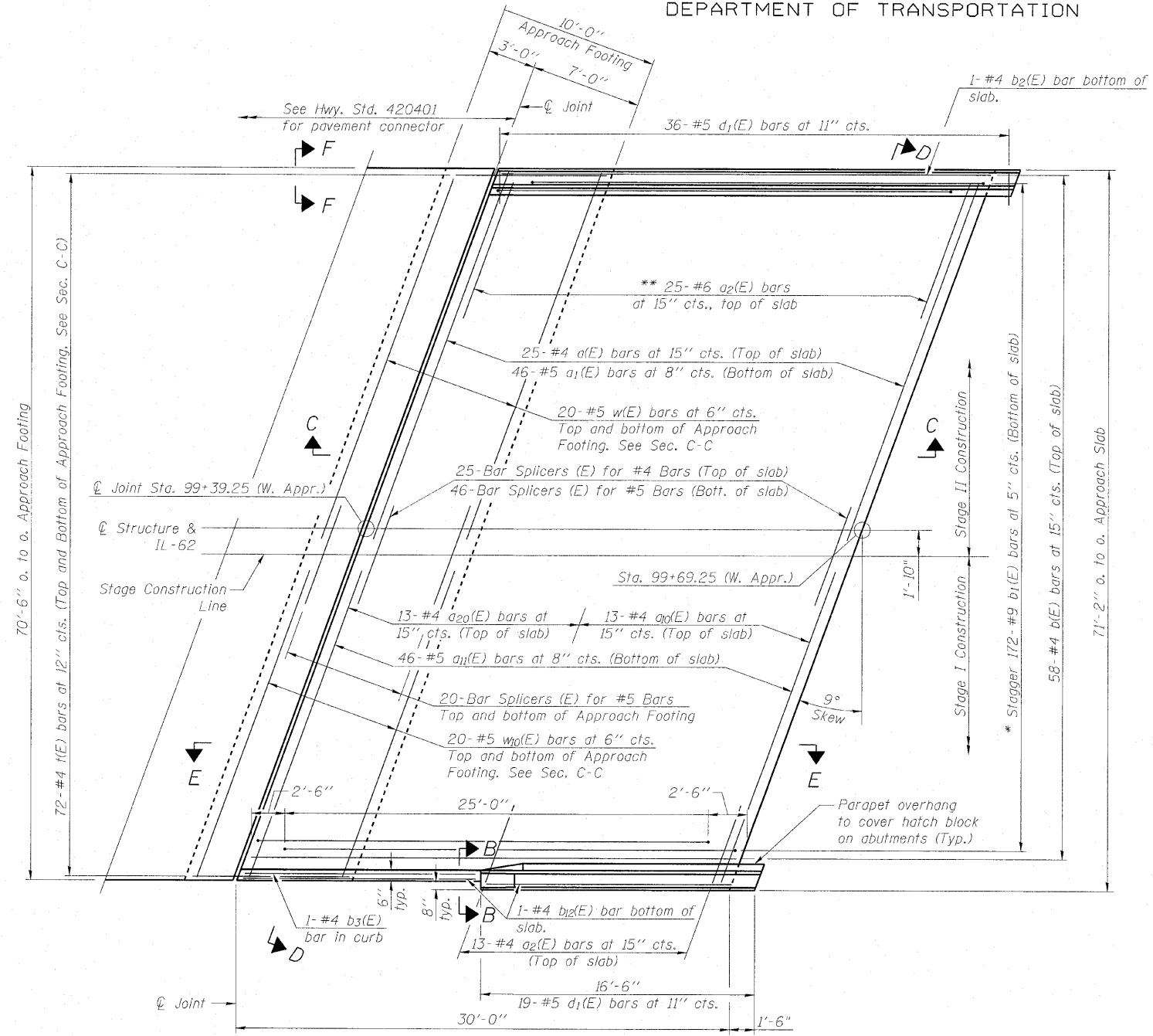
COLLINS ENGINEERS
123 N. WACKER DR., SUITE 300
CHICAGO, IL 60606
(312) 704-9300
ILLINOIS PROFESSIONAL DESIGN FIRM LICENSE NO. 184-000933

SHEET NO. S10 OF S27 SHEETS	F.A.P. RTE. 339	SECTION 116-Y-2-BR-1	COUNTY COOK	TOTAL SHEETS 74	SHEET NO. 32
	CONTRACT NO. 60J00			ILLINOIS FED. AID PROJECT	

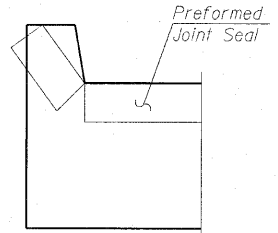
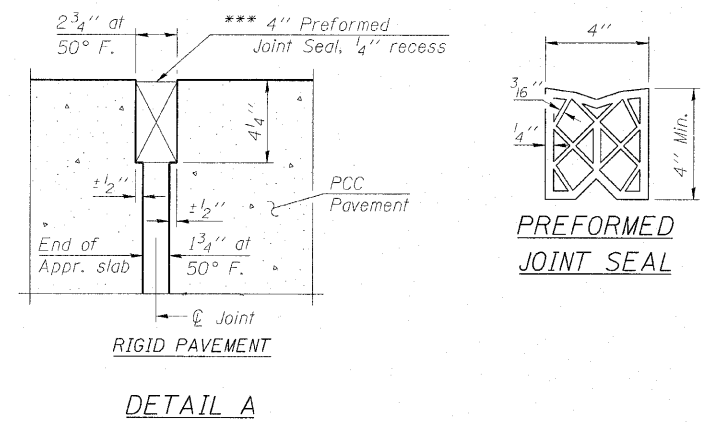
(Sheet 2 of 2)
EAST BRIDGE APPROACH SLAB DETAILS
STRUCTURE NO. 016-0581

STATE OF ILLINOIS
DEPARTMENT OF TRANSPORTATION

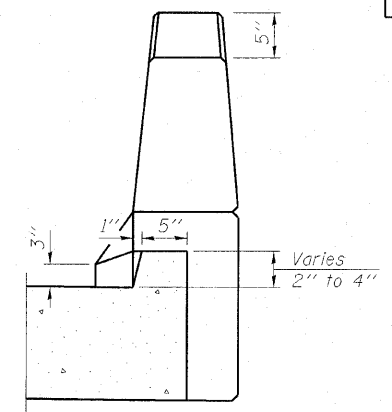
Notes:
See sheet S12 of S27 for Sections C-C & D-D and View E-E.
a(E), a₁(E), a₂₀(E) and a₁₁(E) bar spacings measured along ϕ Rdwy.



*** Cost included with Concrete Superstructure.



VIEW F-F
Angle Preformed Joint Seal at 45°
at curbs when req'd for drainage.



VIEW B-B

PLAN

* Tilt #9 b₁(E) bars as required to maintain clearance.
** Space between a(E) and a₂₀(E) bars, typ. each parapet.

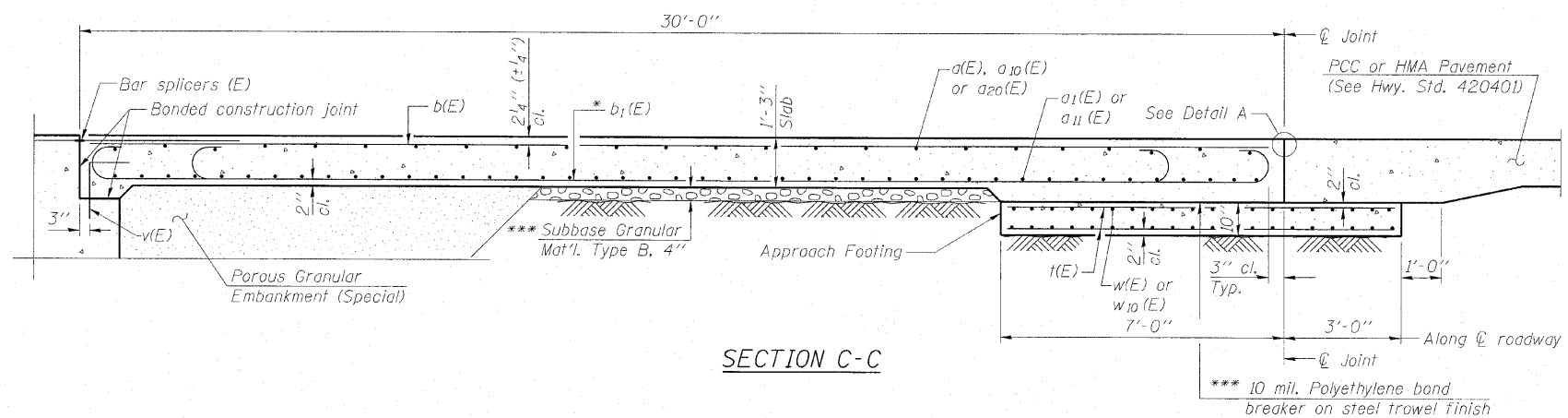
DESIGNED	MAH
CHECKED	JMH
DRAWN	DR
CHECKED	JMH

BA-R 11-1-09

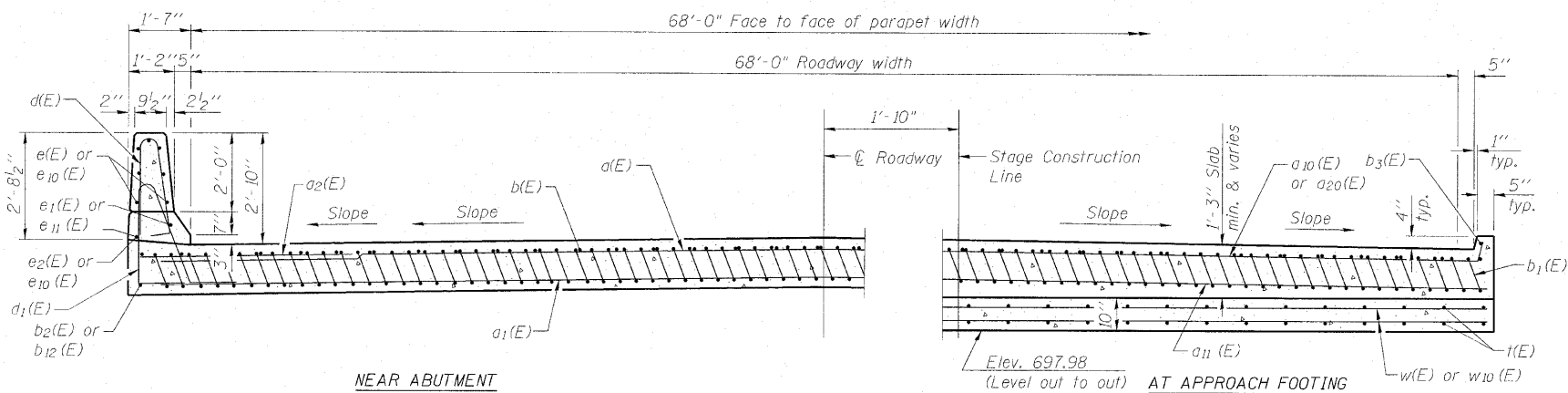
(Sheet 1 of 2)
WEST BRIDGE APPROACH SLAB DETAILS
STRUCTURE NO. 016-0581

COLLINS ENGINEERS 123 N. WACKER DR., SUITE 300 CHICAGO, IL 60606 (312) 704-9300 ILLINOIS PROFESSIONAL DESIGN FIRM LICENSE NO. 184-000993	SHEET NO. S11 OF S27 SHEETS	F.A.P. RTE.	SECTION	COUNTY	TOTAL SHEETS	SHEET NO.
		339	116-Y-2-BR-1	COOK	74	32A
					CONTRACT NO. 60J00	
ILLINOIS FED. AID PROJECT						

STATE OF ILLINOIS
DEPARTMENT OF TRANSPORTATION

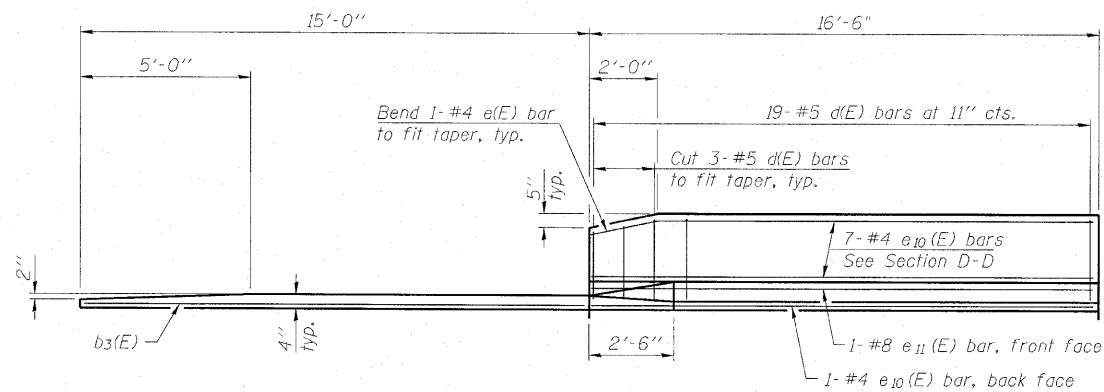


SECTION C-C



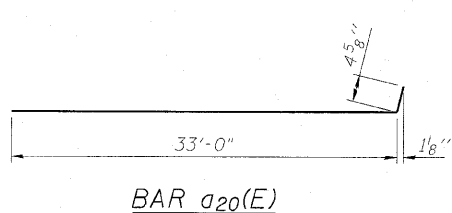
SECTION D-D

(See Plan for dimensions not shown)

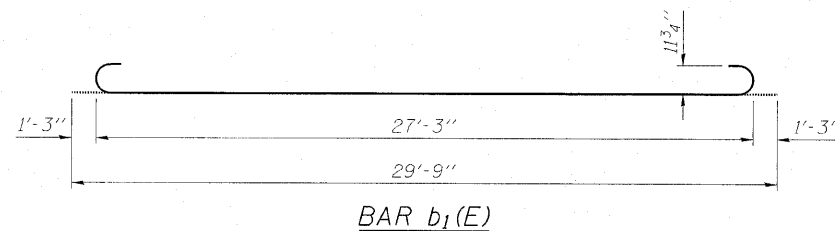


VIEW E-E

(See Sheet S10 of S27 for North Parapet Details)



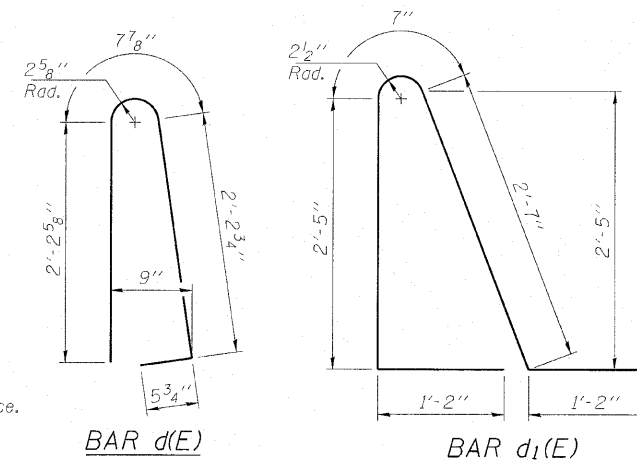
BAR a20(E)



BAR b1(E)

Notes:

- See sheet S11 of S27 for Detail A and View B-B.
- Approach slab and parapet concrete shall be paid for as Concrete Superstructure.
- Approach footing concrete shall be paid for as Concrete Structures.
- Reinforcement shall be paid for as Reinforcement Bars, Epoxy Coated.
- For v(E) bar details, see sheet S24 of S27.
- The approach footing maximum applied service bearing pressure (Qmax) = 2.0 ksf.
- For bar splicer details, see sheet S25 of S27.
- Cost of excavation for approach footing included with Concrete Structures.
- For Porous Granular Embankment (Special) and drainage treatment details, see sheet S2 of S27.
- For additional parapet details, see sheet S16 of S27.



BAR d(E)

BAR d1(E)

- * Tilt #9 b1(E) bars as required to maintain clearance.
- *** Cost included with Concrete Superstructure.

WEST APPROACH
BILL OF MATERIAL

Bar	No.	Size	Length	Shape
d(E)	25	#4	37'-6"	—
a1(E)	46	#5	37'-6"	—
a2(E)	38	#6	6'-6"	—
a10(E)	13	#4	33'-7"	—
a11(E)	46	#5	33'-2"	—
a20(E)	13	#4	33'-5"	—
b(E)	58	#4	29'-8"	—
b1(E)	172	#9	29'-9"	—
b2(E)	1	#4	29'-8"	—
b3(E)	1	#4	14'-8"	—
b12(E)	2	#4	14'-8"	—
d1(E)	55	#5	7'-11"	—
e(E)	14	#4	15'-5"	—
e1(E)	1	#8	31'-2"	—
e2(E)	1	#4	31'-2"	—
e10(E)	8	#4	16'-2"	—
e11(E)	1	#8	16'-2"	—
t(E)	144	#4	9'-9"	—
w(E)	40	#5	37'-6"	—
w10(E)	40	#5	33'-2"	—
Concrete Superstructure		Cu. Yd.	113.2	
Concrete Structures		Cu. Yd.	22.2	
Reinforcement Bars, Epoxy Coated		Pound	28,505	

(Sheet 2 of 2)

WEST BRIDGE APPROACH SLAB DETAILS
STRUCTURE NO. 016-0581

DESIGNED MAH
CHECKED JMH
DRAWN DR
CHECKED JMH

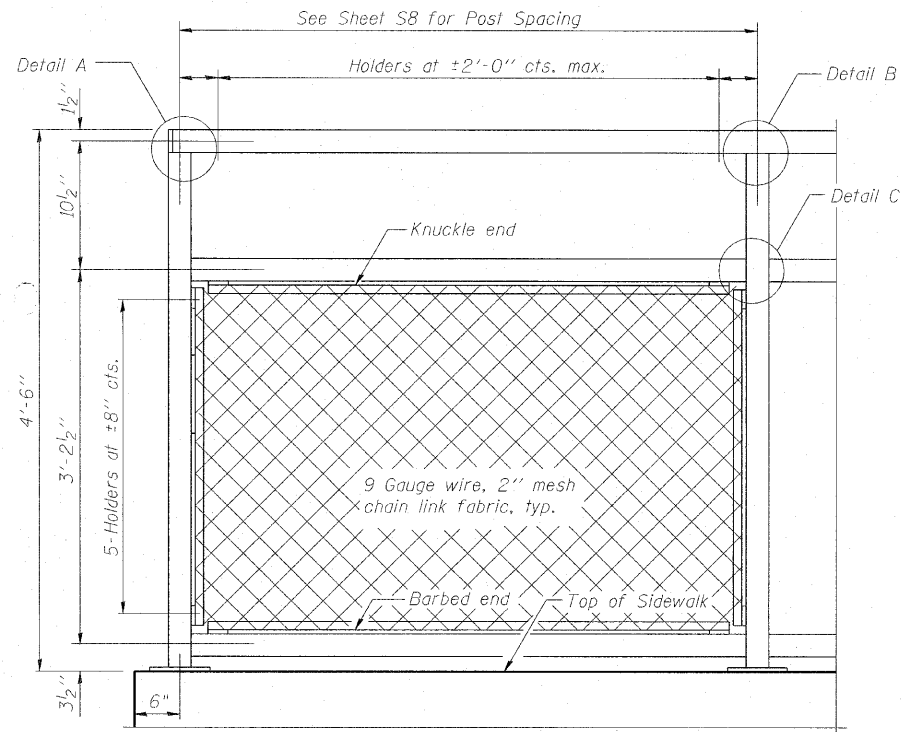
BA-R

11-1-09

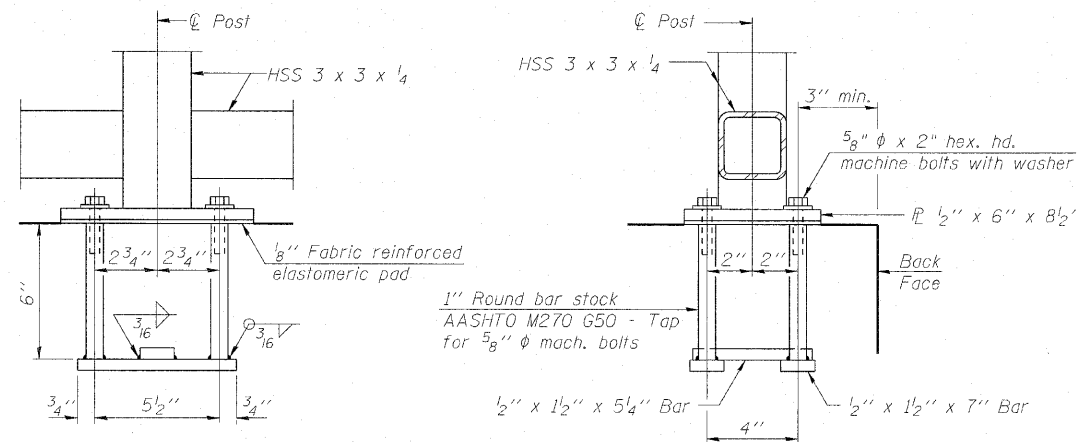
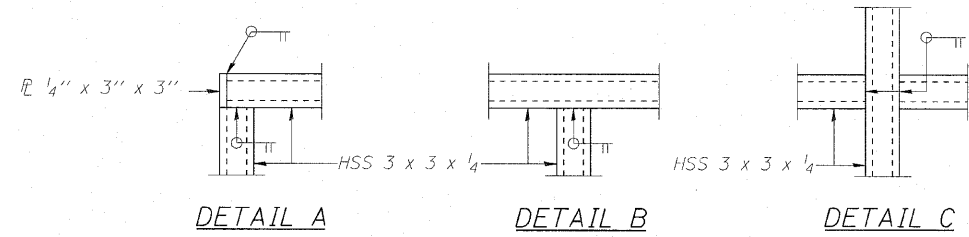
COLLINS ENGINEERS
123 N. WACKER DR., SUITE 300 CHICAGO, IL 60606 (312) 704-9300
ILLINOIS PROFESSIONAL DESIGN FIRM LICENSE NO. 184-000993

SHEET NO. S12 OF S27 SHEETS	F.A.P. RTE.	SECTION	COUNTY	TOTAL SHEETS	SHEET NO.
	339	116-Y-2-BR-1	COOK	74	32B
				CONTRACT NO. 60J00	
ILLINOIS FED. AID PROJECT					

STATE OF ILLINOIS
DEPARTMENT OF TRANSPORTATION



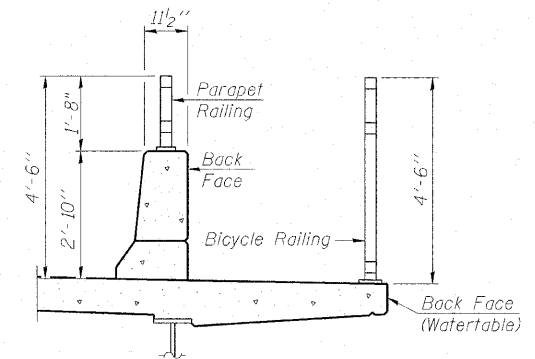
BICYCLE RAILING



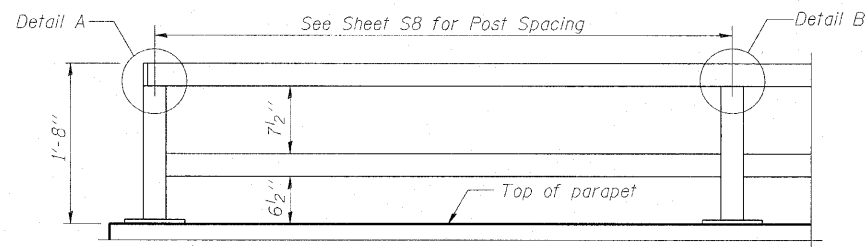
ANCHOR BOLT DETAILS

In lieu of the cast-in-place anchor device shown, the Contractor has the option of drilling and setting 5/8" ϕ anchor rods according to Article 509.06 of the Standard Specifications. Embedment shall be according to the manufacturer's specifications.

Note:
All steel rail elements shall be galvanized according to Article 509.05 of the Standard Specifications.



SECTION THRU DECK

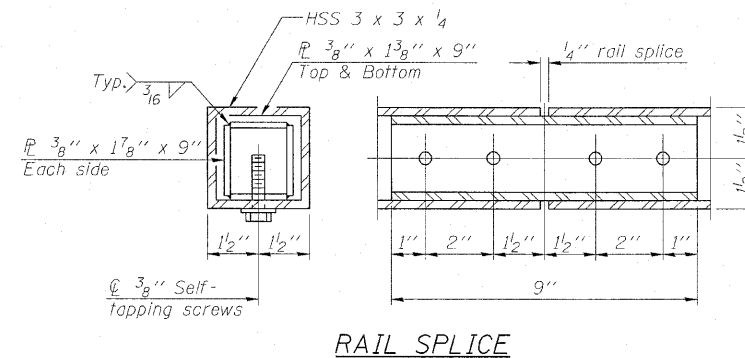
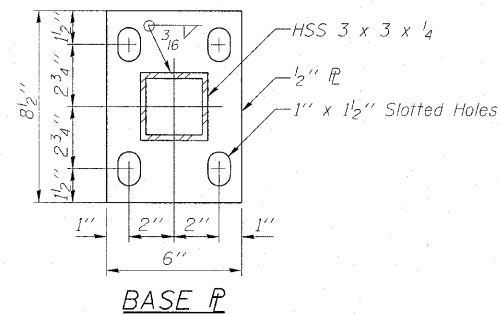


**PARAPET RAILING
ELEVATION**

(Inside Face of Two Element Rail)

BILL OF MATERIAL

Item	Unit	Quantity
Bicycle Railing	Foot	120
Parapet Railing	Foot	120



**BICYCLE RAILING
STRUCTURE NO. 016-0581**

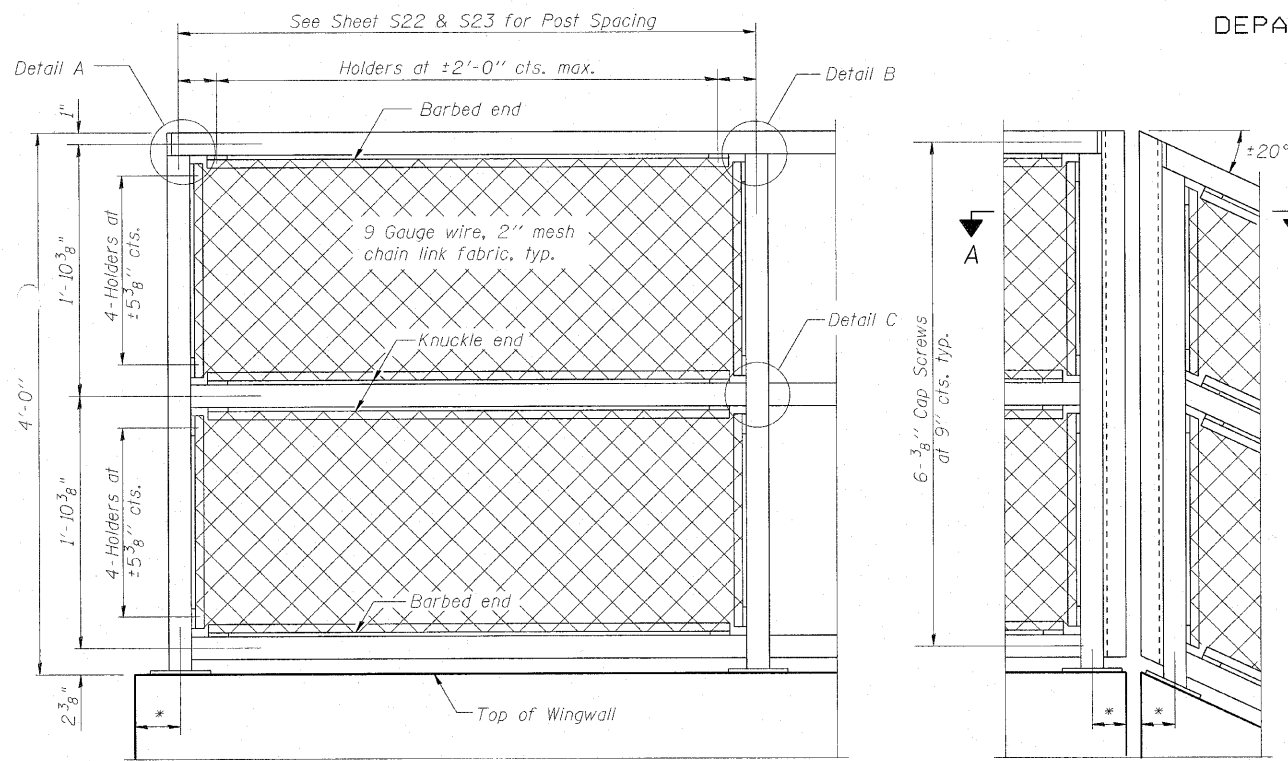
DESIGNED MAH
CHECKED JMH
DRAWN DR
CHECKED JMH

(10'-0" Maximum Post Spacing)

COLLINS ENGINEERS
123 N. WACKER DR., SUITE 300 CHICAGO, IL 60606 (312) 704-9300
ILLINOIS PROFESSIONAL DESIGN FIRM LICENSE NO. 184-000993

SHEET NO. S13 OF S27 SHEETS	F.A.P. RTE. 339	SECTION 116-Y-2-BR-1	COUNTY COOK	TOTAL SHEETS 74	SHEET NO. 33
	CONTRACT NO. 60J00			ILLINOIS FED. AID PROJECT	

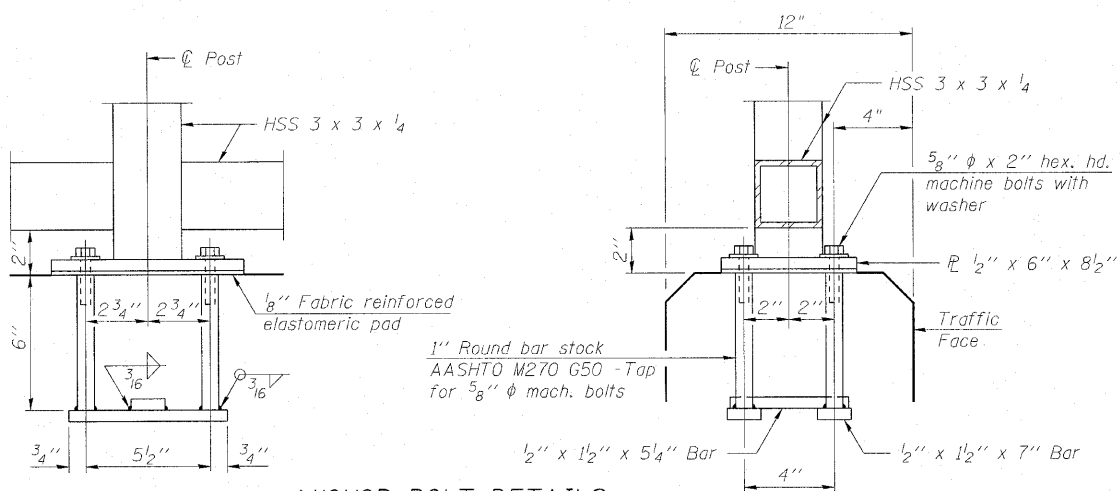
STATE OF ILLINOIS
DEPARTMENT OF TRANSPORTATION



ELEVATION
(Inside Face)

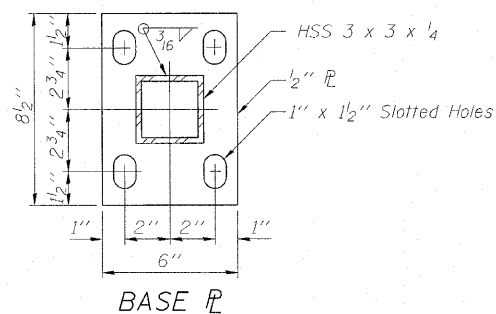
ELEVATION
(At Expansion Joint)

* Refer to Sheet S22 & S23 for Post Layout dimensions.



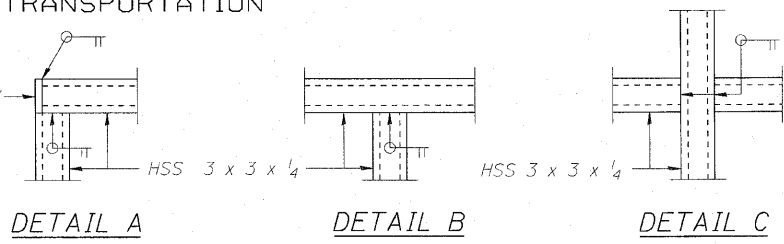
ANCHOR BOLT DETAILS

In lieu of the cast-in-place anchor device shown, the Contractor has the option of drilling and setting 5/8" anchor rods according to Article 509.06 of the Standard Specifications. Embedment shall be according to the manufacturer's specifications.



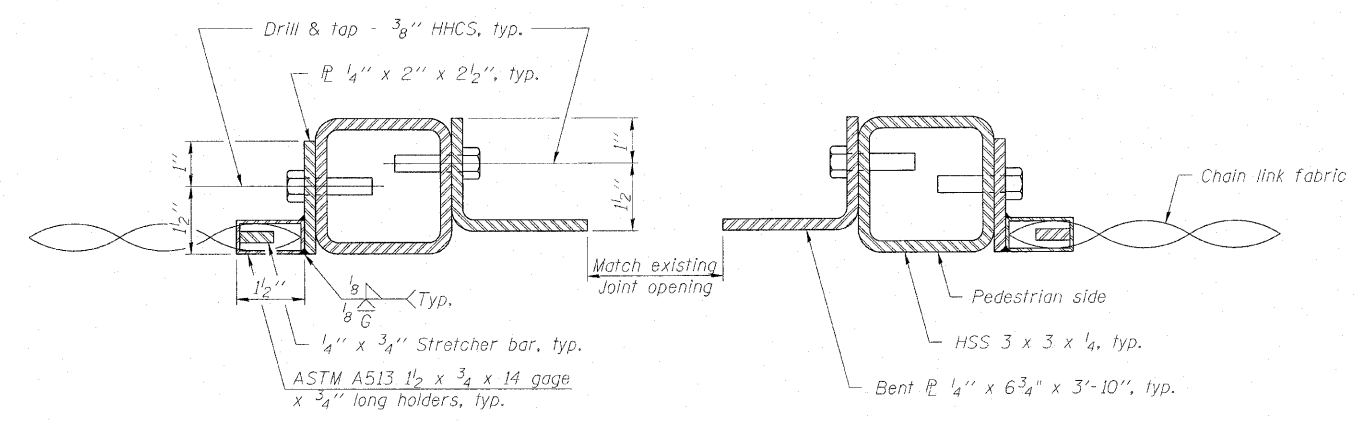
BASE R

(10'-0" Maximum Post Spacing)

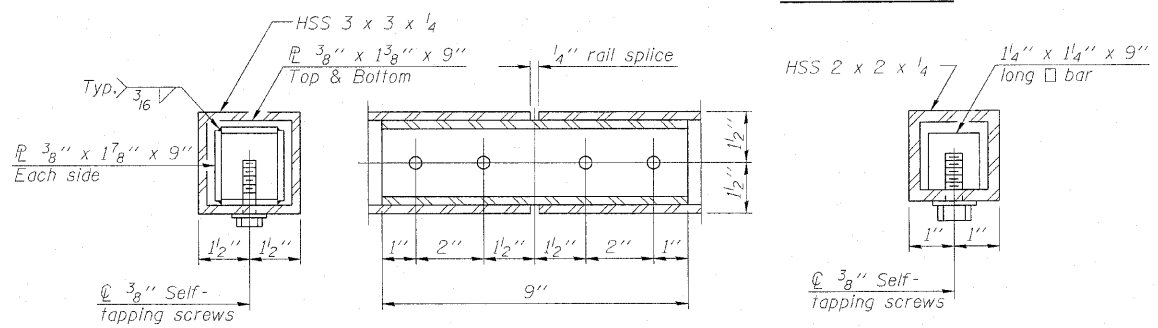


DETAIL A **DETAIL B** **DETAIL C**

Note:
All steel rail elements shall be galvanized according to Article 509.05 of the Standard Specifications.
Contractor to verify all dimensions in field prior to ordering materials.



SECTION A-A



RAIL SPLICE

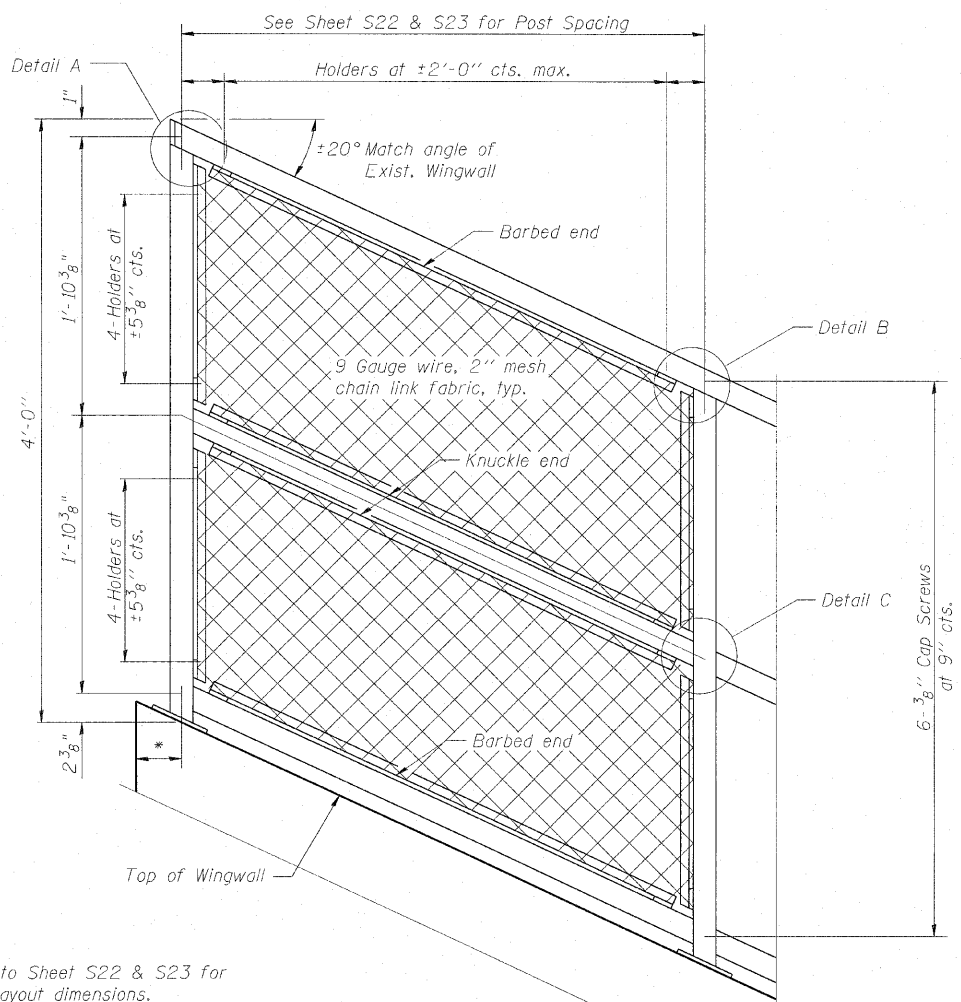
DESIGNED MAH
CHECKED JMH
DRAWN DR
CHECKED JMH

COLLINS ENGINEERS
123 N. WACKER DR., SUITE 300
CHICAGO, IL 60606
(312) 704-9300
ILLINOIS PROFESSIONAL DESIGN FIRM LICENSE NO. 184-000993

SHEET NO. S14 OF S27 SHEETS	F.A.P. RTE. 339	SECTION 116-Y-2-BR-1	COUNTY COOK	TOTAL SHEETS 74	SHEET NO. 34
	CONTRACT NO. 60J00			ILLINOIS FED. AID PROJECT	

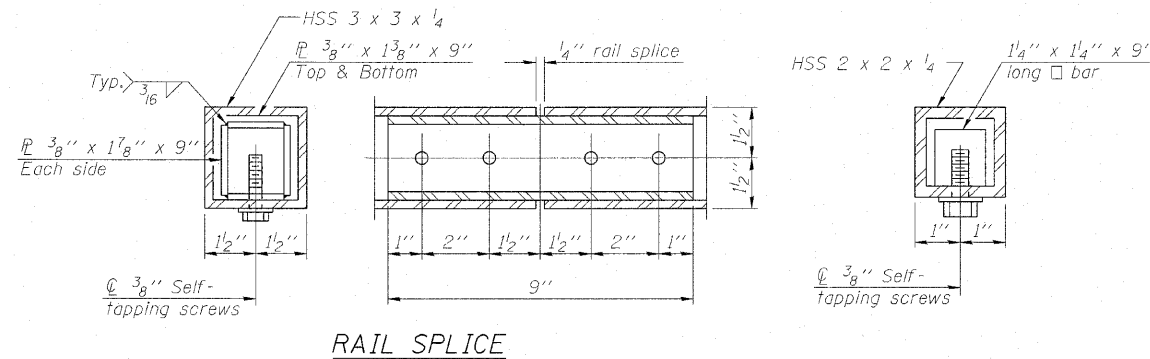
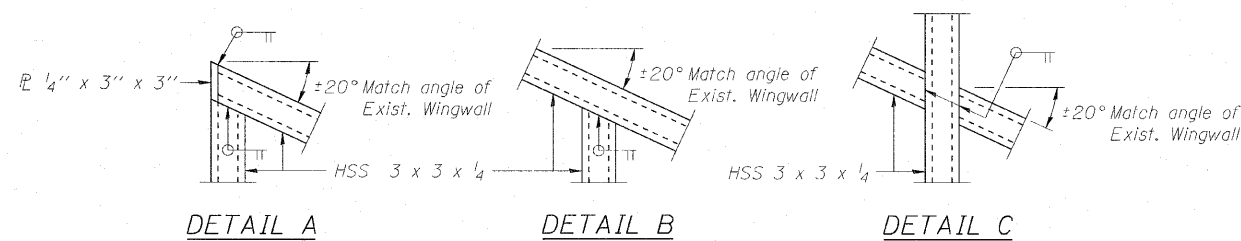
(Sheet 1 of 2)
BRIDGE FENCE RAILING (SPECIAL)
STRUCTURE NO. 016-0581

STATE OF ILLINOIS
DEPARTMENT OF TRANSPORTATION



ELEVATION
(Inside Face)

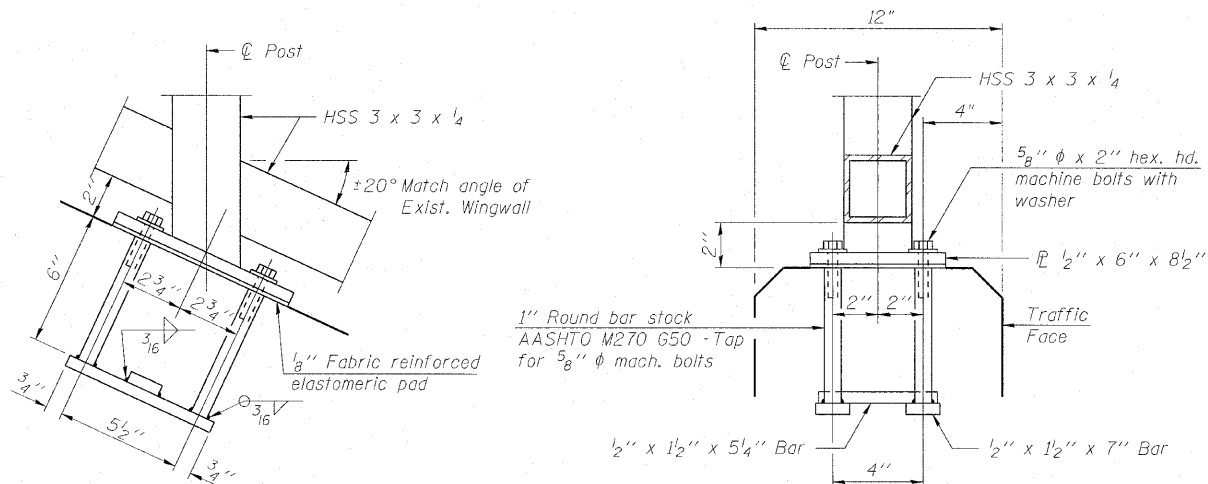
* Refer to Sheet S22 & S23 for Post Layout dimensions.



Note:
All steel rail elements shall be galvanized according to Article 509.05 of the Standard Specifications.
Contractor to verify all dimensions in field prior to ordering materials.

BILL OF MATERIAL

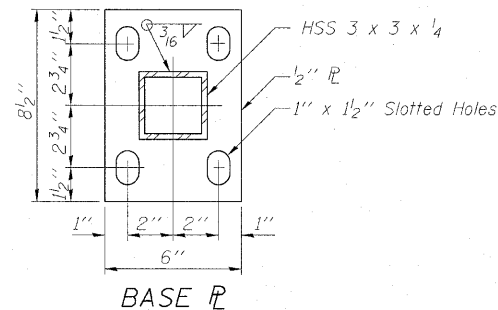
Item	Unit	Quantity
Bridge Fence Railing (Special)	Sq. Ft.	364



ANCHOR BOLT DETAILS

In lieu of the cast-in-place anchor device shown, the Contractor has the option of drilling and setting 5/8" φ anchor rods according to Article 509.06 of the Standard Specifications. Embedment shall be according to the manufacturer's specifications.

(10'-0" Maximum Post Spacing)



DESIGNED MAH
CHECKED JMH
DRAWN DR
CHECKED JMH

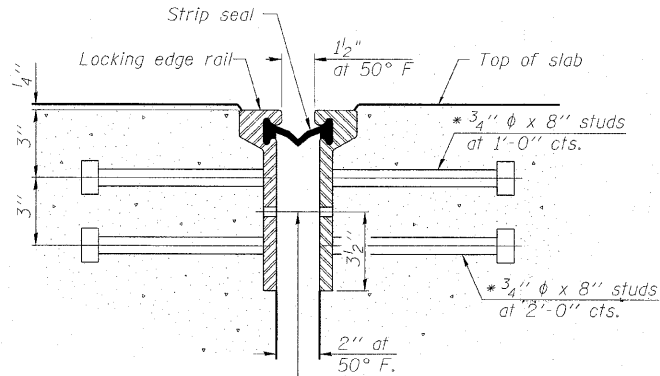
(Sheet 2 of 2)
BRIDGE FENCE RAILING (SPECIAL)
STRUCTURE NO. 016-0581

COLLINS ENGINEERS
123 N. WACKER DR., SUITE 300
CHICAGO, IL 60606
(312) 704-9300
ILLINOIS PROFESSIONAL DESIGN FIRM LICENSE NO. 184-000993

SHEET NO. S15 OF S27 SHEETS	F.A.P. RTE. 339	SECTION 116-Y-2-BR-1	COUNTY COOK	TOTAL SHEETS 74	SHEET NO. 35
	CONTRACT NO. 60J00			ILLINOIS FED. AID PROJECT	

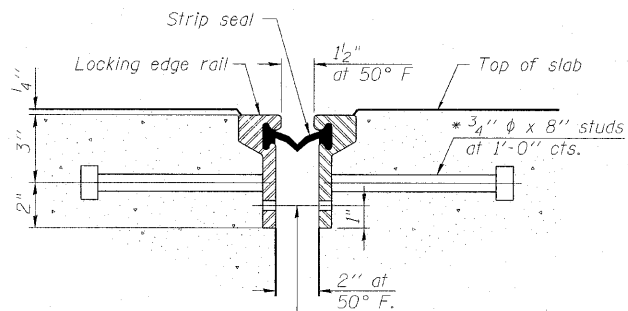
* Granular or solid flux filled headed studs conforming to Article 1006.32 of the Std. Specs., automatically end welded.

STATE OF ILLINOIS
DEPARTMENT OF TRANSPORTATION



7/16" ϕ holes at 4'-0" cts. for 3/8" ϕ bolts. All bolts shall be burned, sawed, or chipped off flush with the plates after forms are removed, typ.

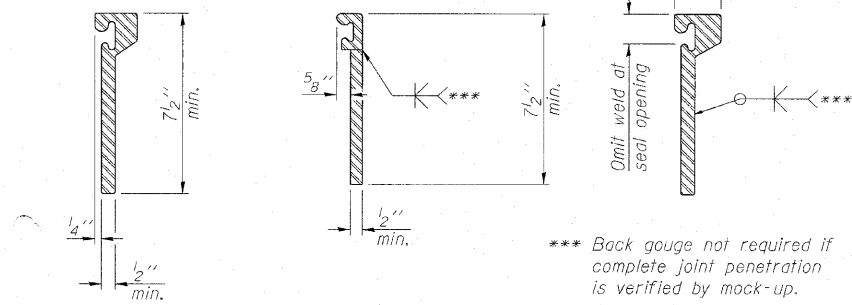
SECTION THRU
ROLLED RAIL JOINT



7/16" ϕ holes at 4'-0" cts. for 3/8" ϕ bolts. All bolts shall be burned, sawed, or chipped off flush with the plates after forms are removed, typ.

SECTION C-C
THRU ROLLED RAIL JOINT

Note: Section C-C thru Welded Rail Joint Similar.



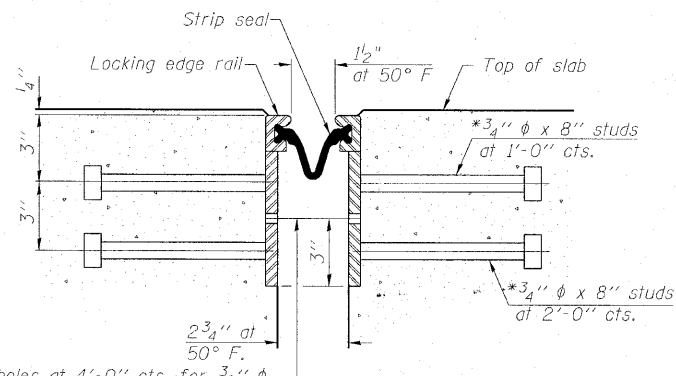
ROLLED
EXTRUDED RAIL WELDED RAIL

LOCKING EDGE RAILS

LOCKING EDGE
RAIL SPLICE
The inside of the locking edge rail groove shall be free of weld residue. Rolled rail shown, welded rail similar.

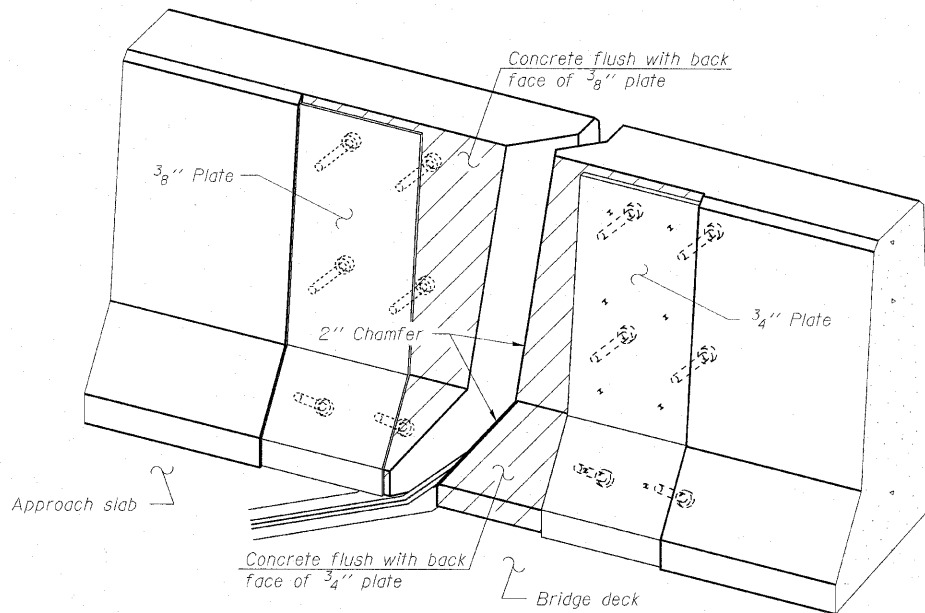
DESIGNED MAH
CHECKED JMH
DRAWN DR
CHECKED JMH

EJ-SSJ 11-1-09

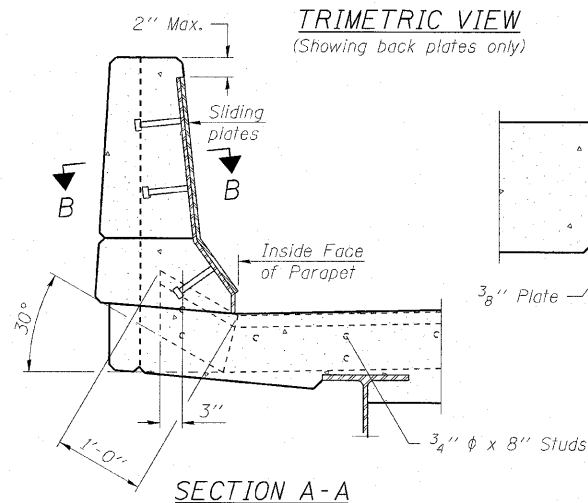


7/16" ϕ holes at 4'-0" cts. for 3/8" ϕ bolts. All bolts shall be burned, sawed, or chipped off flush with the plates after forms are removed, typ.

SECTION THRU
WELDED RAIL JOINT

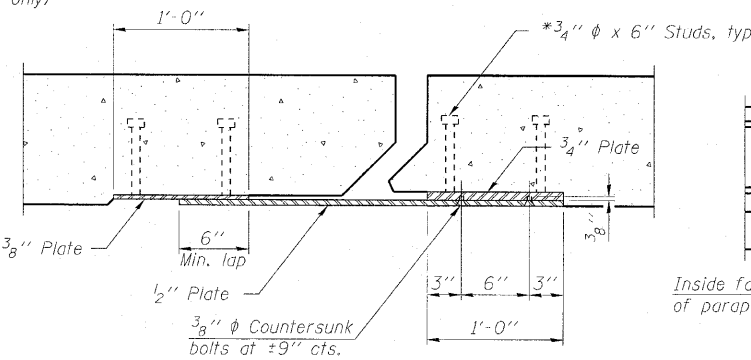


TRIMETRIC VIEW
(Showing back plates only)

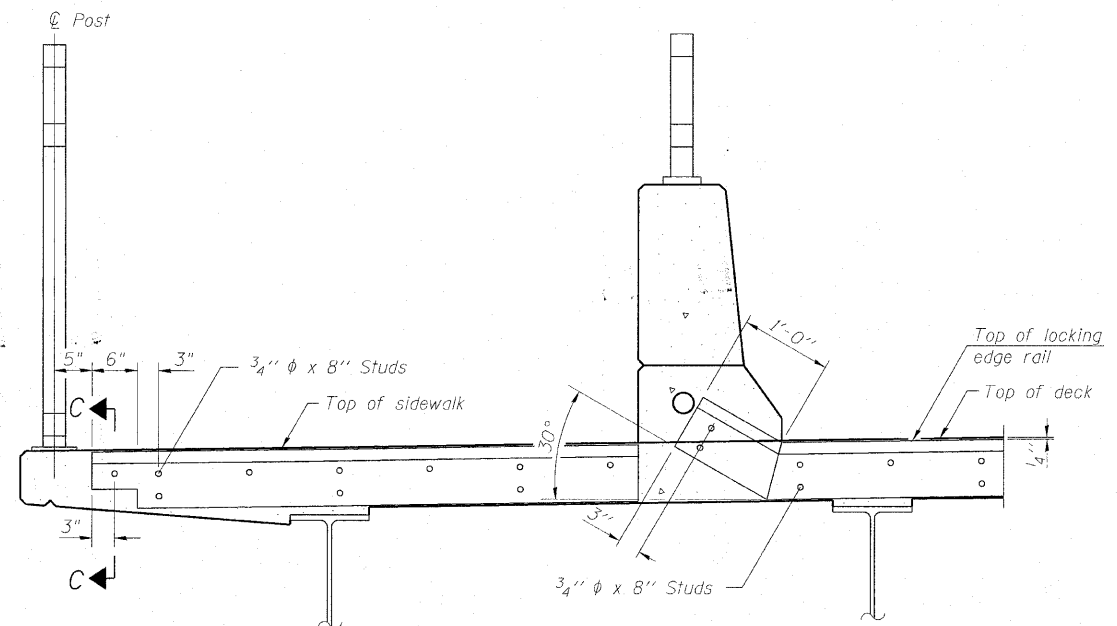


SECTION A-A

POINT BLOCK DETAILS
(for skews > 30°)



SECTION B-B

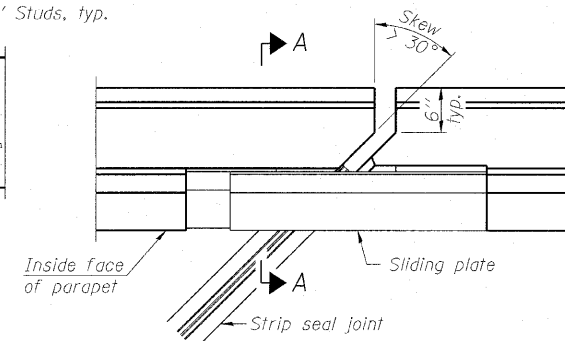


END TREATMENT

Notes:
The strip seal shall be made continuous and shall have a minimum thickness of 1/4". The configuration of the strip seal shall match the configuration of the Locking Edge Rails. Open or "webbed" strip seal gland configurations are not permitted. The gland shall be sized for a maximum rated movement of 4 inches.
The Locking Edge Rails depicted are conceptual only, except for the minimum dimensions shown. The actual configuration of the Locking Edge Rails and matching strip seal may vary from manufacturer to manufacturer. Flanged edge rails will not be allowed. Locking Edge Rails may be spliced at slope discontinuities.
The manufacturer's recommended installation methods shall be followed.
The joint opening and deck dimensions detailed on the superstructure are based on a rolled rail expansion joint. If the Contractor elects to use the welded rail expansion joint, the opening and deck dimensions shall be modified according to the dimensions detailed on this sheet. Required modifications shall be made at no additional cost to the State.
All steel components shall be galvanized after fabrication according to Article 520.03 of the Standard Specifications.
Maximum space between rail segments at stage lines shall be 3/16", sealed with a suitable sealant.

BILL OF MATERIAL

Item	Unit	Total
Preformed Joint Strip Seal	Foot	178



PLAN

PREFORMED JOINT STRIP SEAL
STRUCTURE NO. 016-0581

COLLINS ENGINEERS
123 N. WACKER DR., SUITE 300
CHICAGO, IL 60606
(312) 704-9300
ILLINOIS PROFESSIONAL DESIGN FIRM LICENSE NO. 184-000993

SHEET NO. S16 OF S27 SHEETS	F.A.R. RTE.	SECTION	COUNTY	TOTAL SHEETS	SHEET NO.
	339	116-Y-2-BR-1	COOK	74	36
			CONTRACT NO. 60J00		
ILLINOIS FED. AID PROJECT					

STATE OF ILLINOIS
DEPARTMENT OF TRANSPORTATION

INTERIOR GIRDER MOMENT TABLE		
0.5 Span		
I_s	(in ⁴)	6,310
$I_c(n)$	(in ⁴)	15,700
$I_c(3n)$	(in ⁴)	11,400
S_s	(in ³)	457
$S_c(n)$	(in ³)	642
$S_c(3n)$	(in ³)	580
DC1	(k/')	0.930
M _{DC1}	(k)	375
DC2	(k/')	0.240
M _{DC2}	(k)	97
DW	(k/')	0.370
M _{DW}	(k)	149
$M_L + IM$	(k)	873
M_u (Strength I)	(k)	2,342
$\phi_r M_{nc}$	(k)	3,042
f_s DC1	(ksi)	9.8
f_s DC2	(ksi)	2.0
f_s DW	(ksi)	3.1
f_s 1.3(L+IM)	(ksi)	21.2
f_s (Service II)	(ksi)	36.1
V_r	(k)	45.9

INTERIOR GIRDER REACTION TABLE		
Abutments		
R _{DC1}	(k)	27.3
R _{DC2}	(k)	6.9
R _{DW}	(k)	10.6
R _{L + IM}	(k)	83.7
R _{Total}	(k)	128.5

I_s, S_s : Non-composite moment of inertia and section modulus of the steel section used for computing f_s (Total Strength I, and Service II) due to non-composite dead loads (in⁴ and in³).

$I_c(n), S_c(n)$: Composite moment of inertia and section modulus of the steel and deck based upon the modular ratio, "n", used for computing f_s (Total Strength I, and Service II) due to short-term composite live loads (in⁴ and in³).

$I_c(3n), S_c(3n)$: Composite moment of inertia and section modulus of the steel and deck based upon 3 times the modular ratio, "3n", used for computing f_s (Total Strength I, and Service II) due to long-term composite (superimposed) dead loads (in⁴ and in³).

DC1: Un-factored non-composite dead load (kips/ft.).

M_{DC1}: Un-factored moment due to non-composite dead load (kip-ft.).

DC2: Un-factored long-term composite (superimposed excluding future wearing surface) dead load (kips/ft.).

M_{DC2}: Un-factored moment due to long-term composite (superimposed excluding future wearing surface) dead load (kip-ft.).

DW: Un-factored long-term composite (superimposed future wearing surface only) dead load (kips/ft.).

M_{DW}: Un-factored moment due to long-term composite (superimposed future wearing surface only) dead load (kip-ft.).

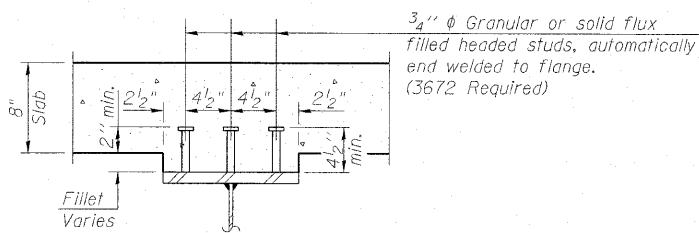
$M_L + IM$: Un-factored live load moment plus dynamic load allowance (impact) (kip-ft.).

M_u (Strength I): Factored design moment (kip-ft.).
1.25 (M_{DC1} + M_{DC2}) + 1.5 M_{DW} + 1.75 M_{L + IM}

$\phi_r M_{nc}$: Compact non-composite negative moment capacity computed according to Article A6.1.1 (kip-ft.).

f_s (Service II): Sum of stresses as computed from the moments below (ksi).
M_{DC1} + M_{DC2} + M_{DW} + 1.3 M_{L + IM}

V_r : Maximum factored shear range in composite portion of span computed according to Article 6.10.10.



SECTION A-A

Notes:

1. N.T.R. designates members subject to the supplemental requirements for notch toughness (Zone 2).
2. All structural steel for beams shall be AASHTO M270 Grade 50W.
3. Two hardened washers are required over all oversized holes.
4. Number of shear connectors required, 306x12 beams = 3672.

TOP OF BEAM ELEVATIONS - BEFORE DEFLECTION
(For Fabrication use only)

Location	Beam 1	Beam 2	Beam 3	Beam 4	Beam 5	Beam 6	Beam 7	Beam 8	Beam 9	Beam 10	Beam 11	Beam 12
© Brg. E. Abut.	699.793	699.939	700.085	700.231	700.377	700.522	700.521	700.372	700.224	700.075	699.926	699.777
© Brg. W. Abut.	699.571	699.727	699.883	700.038	700.194	700.349	700.357	700.219	700.080	699.941	699.802	699.663

FRAMING PLAN DETAILS
STRUCTURE NO. 016-0581

DESIGNED	MAH
CHECKED	JMH
DRAWN	DR
CHECKED	JMH

COLLINS ENGINEERS
123 N. WACKER DR.,
SUITE 300
CHICAGO, IL 60606
(312) 704-9300
ILLINOIS PROFESSIONAL DESIGN FIRM LICENSE NO. 184-000993

SHEET NO. S17
OF
S27 SHEETS

F.A.P.
RTE.
339

SECTION
116-Y-2-BR-1

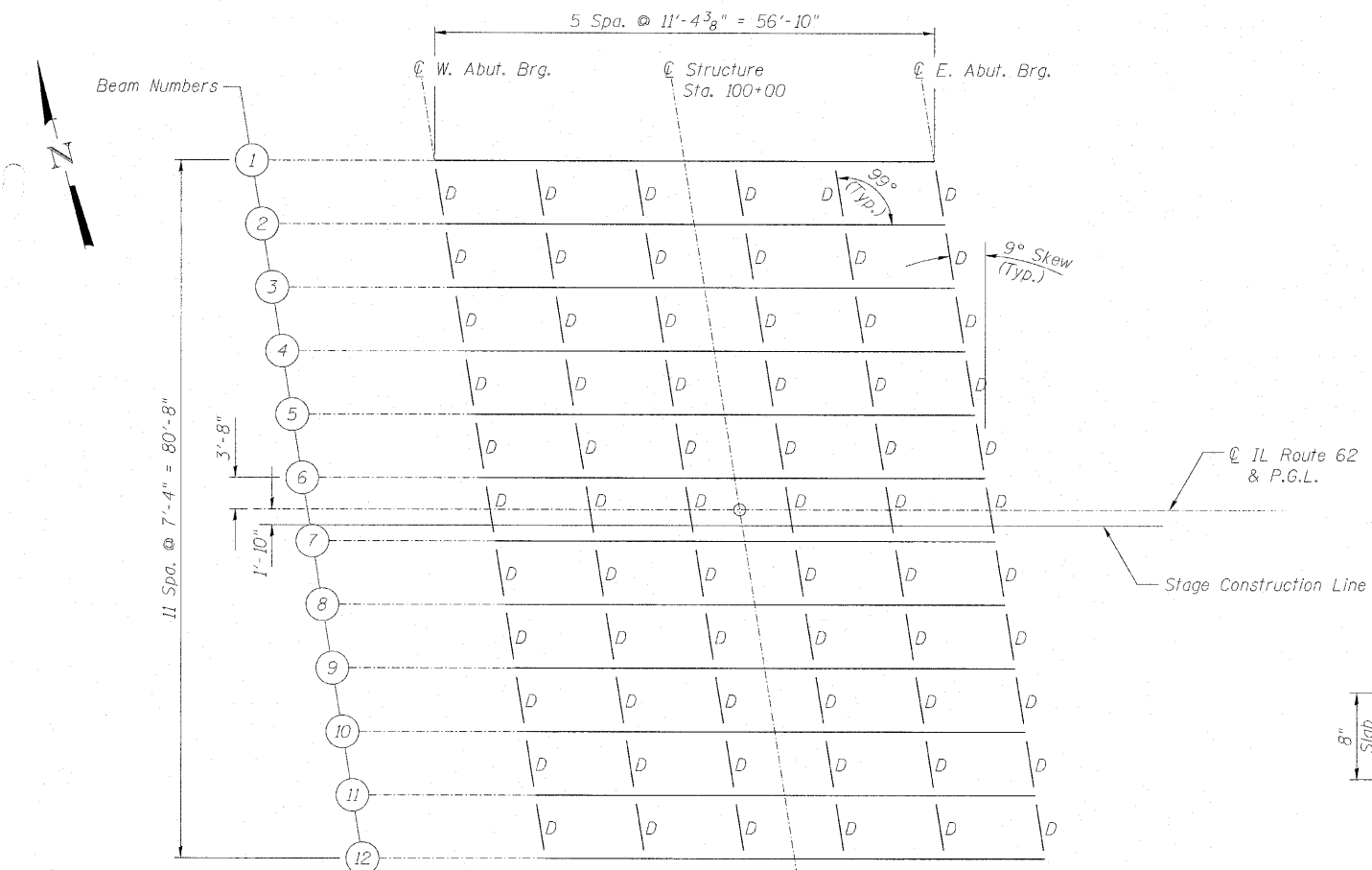
COUNTY
COOK

TOTAL SHEETS
74

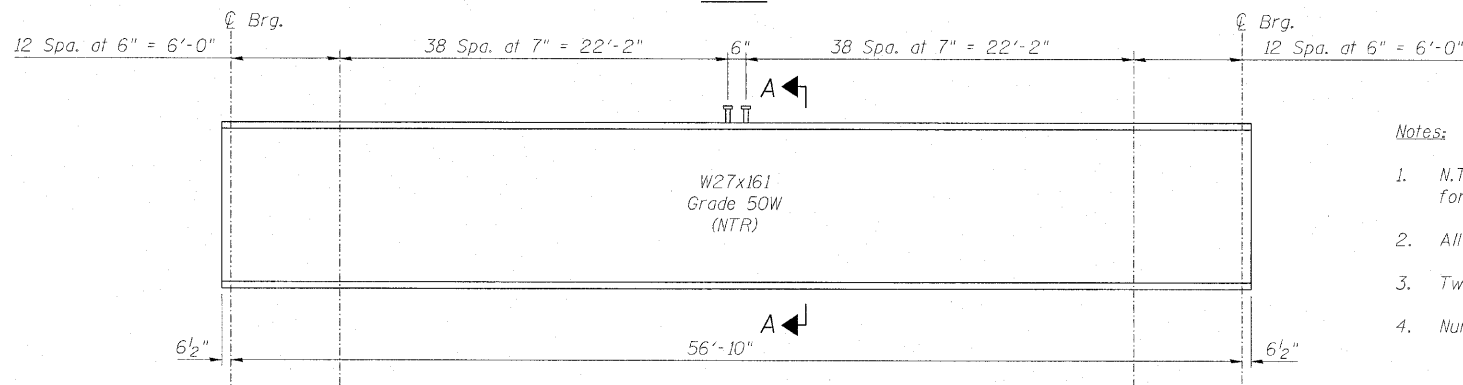
SHEET NO.
37

CONTRACT NO. 60J00

ILLINOIS FED. AID PROJECT

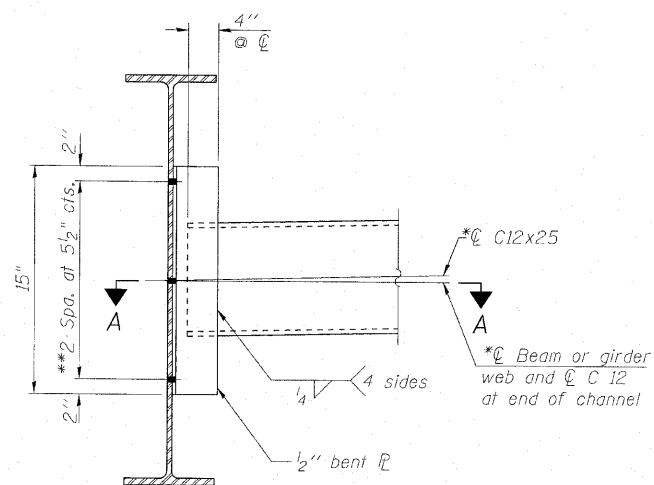


PLAN



GIRDER ELEVATION

STATE OF ILLINOIS
DEPARTMENT OF TRANSPORTATION

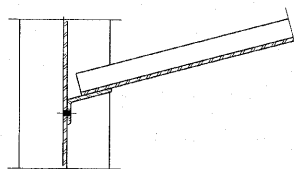


INTERIOR DIAPHRAGM

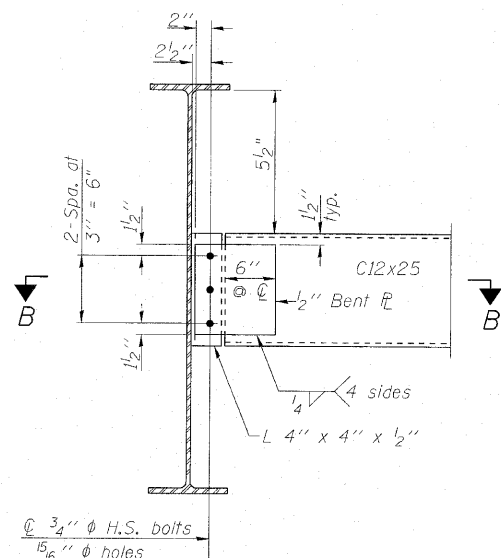
Note:
Two hardened washers required for each set of oversized holes.

*C12x30 are permitted to facilitate material acquisition. Calculated weight of structural steel is based on the lighter section. The alternate, if utilized, shall be provided at no additional cost to the Department.

**3/4" ϕ HS bolts, 15/16" ϕ holes
The interior diaphragms below the stage construction line (between beam numbers 6 and 7) require standard long slotted holes (1 3/8" x 1 7/8") in one connection angle. The bolts in the long slots shall be finger tight until the second stage pour is complete. Position slots so bolts start at one end with no concrete load and finish near the opposite end under deck load. All holes shall have appropriate hardened or plate washers.

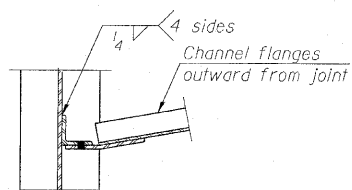


SECTION A-A

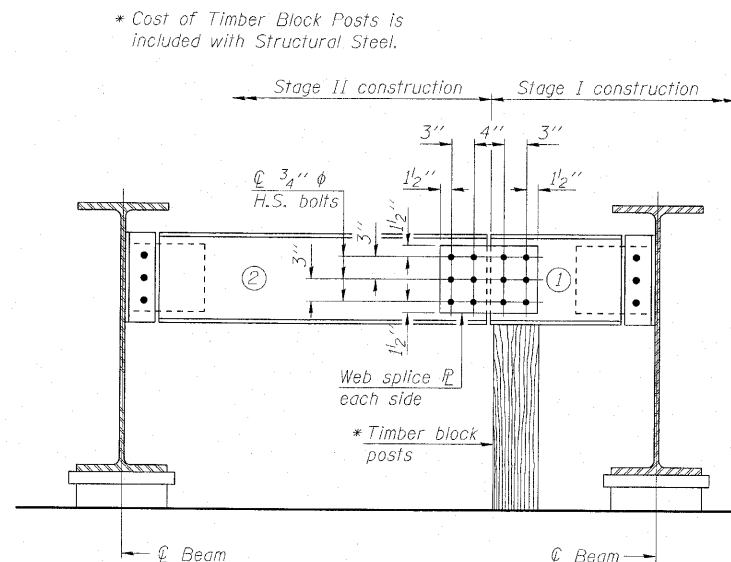


END DIAPHRAGM

Note:
Two hardened washers required for each set of oversized holes.



SECTION B-B



END DIAPHRAGM

END DIAPHRAGM STAGE CONSTRUCTION SEQUENCE

- 1.) Order diaphragm in two sections.
- 2.) Attach section ① of diaphragm to beam
- 3.) Place timber block posts between section ① of diaphragm and abutment bearing section.
- 4.) Attach section ② of diaphragm to both beam and section ① of diaphragm during stage II construction with splice plates.
- 5.) Remove timber block posts.

Note:
All structural steel for diaphragms, connecting plates/angles shall be AASHTO M270 Grade 50W. All cross frames or diaphragms shall be installed as steel is erected and secured with erection pins and bolts except as otherwise noted. Individual cross frames or diaphragms at supports may be temporarily disconnected to install bearing anchor rods.

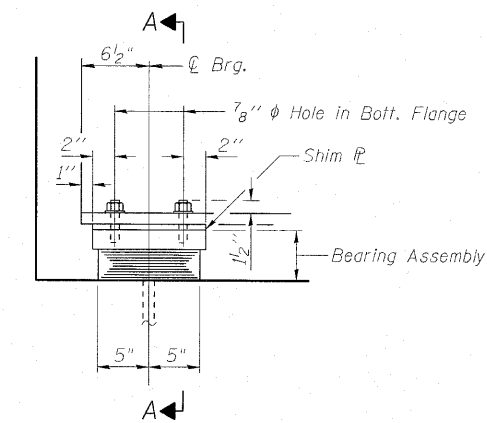
**STEEL DETAILS
STRUCTURE NO. 016-0581**

DESIGNED	MAH
CHECKED	JMH
DRAWN	DR
CHECKED	JMH

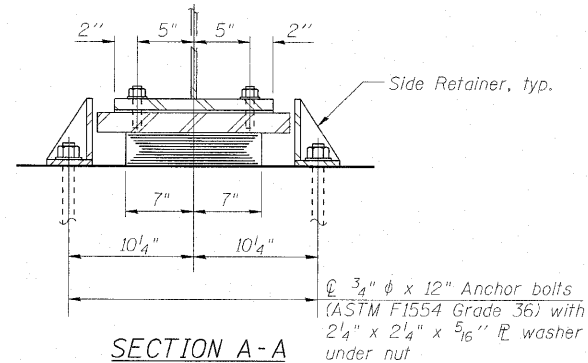
COLLINS ENGINEERS
123 N. WACKER DR.,
SUITE 300
CHICAGO, IL 60606
(312) 704-9300
ILLINOIS PROFESSIONAL DESIGN FIRM LICENSE NO. 184-000993

SHEET NO. S18 OF S27 SHEETS	F.A.P. RTE.	SECTION	COUNTY	TOTAL SHEETS	SHEET NO.
	339	116-Y-2-BR-1	COOK	74	38
			CONTRACT NO. 60J00		
ILLINOIS FED. AID PROJECT					

STATE OF ILLINOIS
DEPARTMENT OF TRANSPORTATION

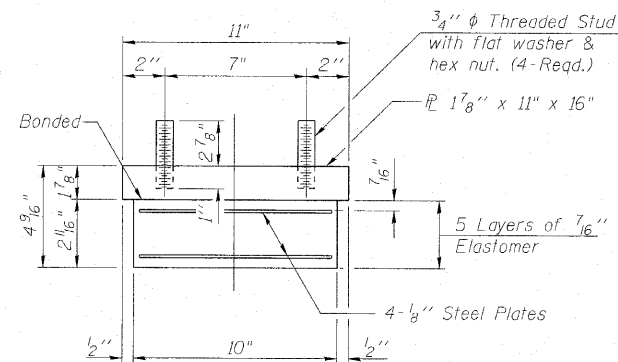


ELEVATION AT ABUT.



SECTION A-A

TYPE I ELASTOMERIC EXP. BRG. EAST ABUTMENT



BEARING ASSEMBLY

Note:
Shim plates shall not be placed under Bearing Assembly.

Notes:

Anchor bolts shall be ASTM F1554 all-thread (or an Engineer-approved alternate material) of the grade(s) and diameter(s) specified. ASTM A307 Grade C anchor bolts may be used in lieu of ASTM F1554 Grade 36 (Fy=36ksi). The corresponding specified grade of AASHTO M314 anchor bolts may be used in lieu of ASTM F1554.

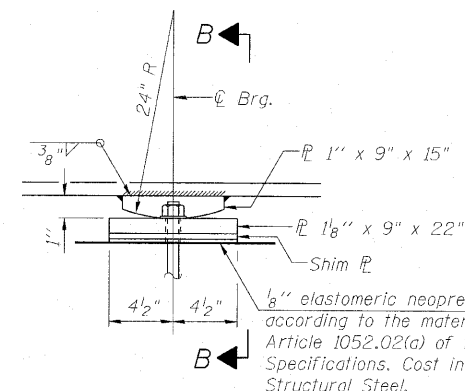
Anchor bolts at fixed bearings may be either cast in place or installed in holes drilled after the supported member is in place.

Anchor bolts for side retainers may be cast in place or installed in holes drilled before or after members are in place.

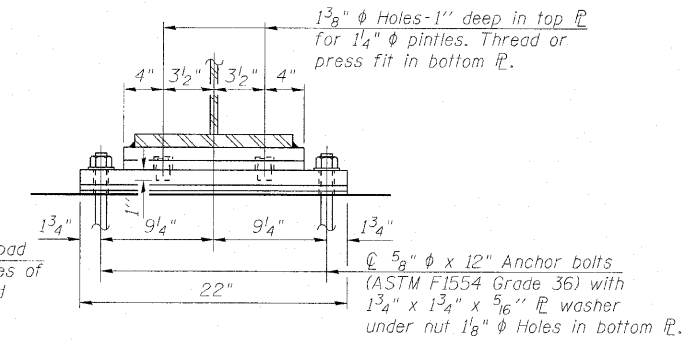
Drilled and set anchor bolts shall be installed according to Article 521.06 of the Standard Specifications.

Side retainers and other steel members required for the bearing assembly shall be included in the cost of Elastomeric Bearing Assembly, Type I.

The structural steel plates of the bearing assembly shall conform to the requirements of AASHTO M 270 Grade 50W.

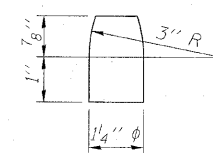


ELEVATION

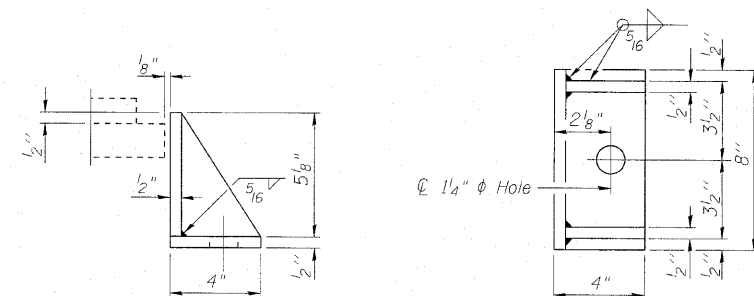


SECTION B-B

FIXED BEARING WEST ABUTMENT



PINTLE



SIDE RETAINER

Equivalent rolled angle with stiffeners will be allowed in lieu of welded plates.

BILL OF MATERIAL

Item	Unil	Total
Elastomeric Bearing Assembly Type I	Each	12
Anchor Bolts, 3/4" ϕ	Each	24
Anchor Bolts, 5/8" ϕ	Each	24

BEARING DETAILS
STRUCTURE NO. 016-0581

DESIGNED MAH
CHECKED JMH
DRAWN DR
CHECKED JMH

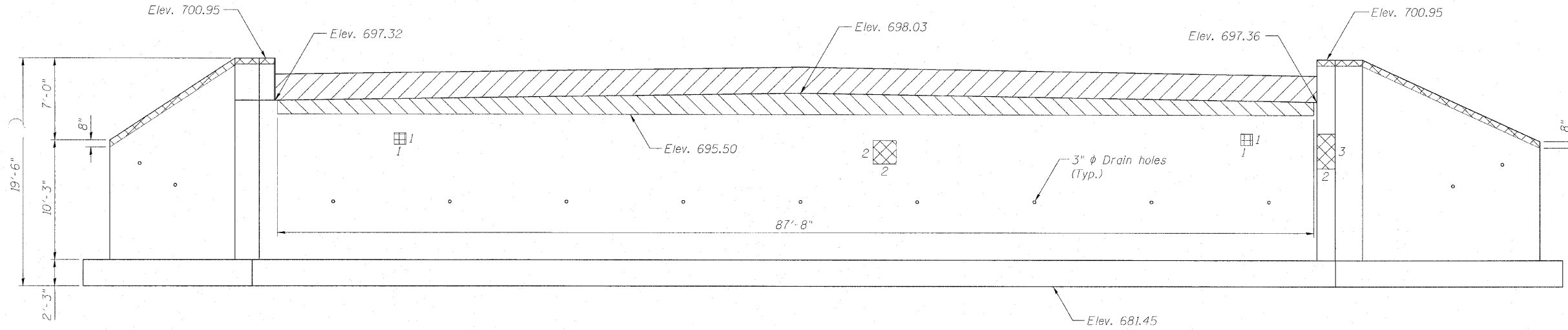
I-2E-1

11-1-09

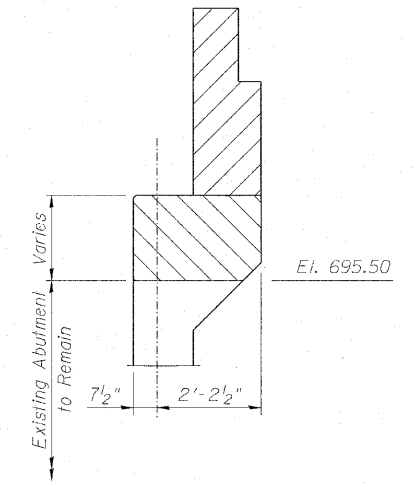
COLLINS ENGINEERS
123 N. WACKER DR.,
SUITE 300
CHICAGO, IL 60606
(312) 704-9300
ILLINOIS PROFESSIONAL DESIGN FIRM LICENSE NO. 184-000993

SHEET NO. S19 OF S27 SHEETS	F.A.P. RTE. 339	SECTION 116-Y-2-BR-1	COUNTY COOK	TOTAL SHEETS 74	SHEET NO. 39
	CONTRACT NO. 60J00			ILLINOIS FED. AID PROJECT	

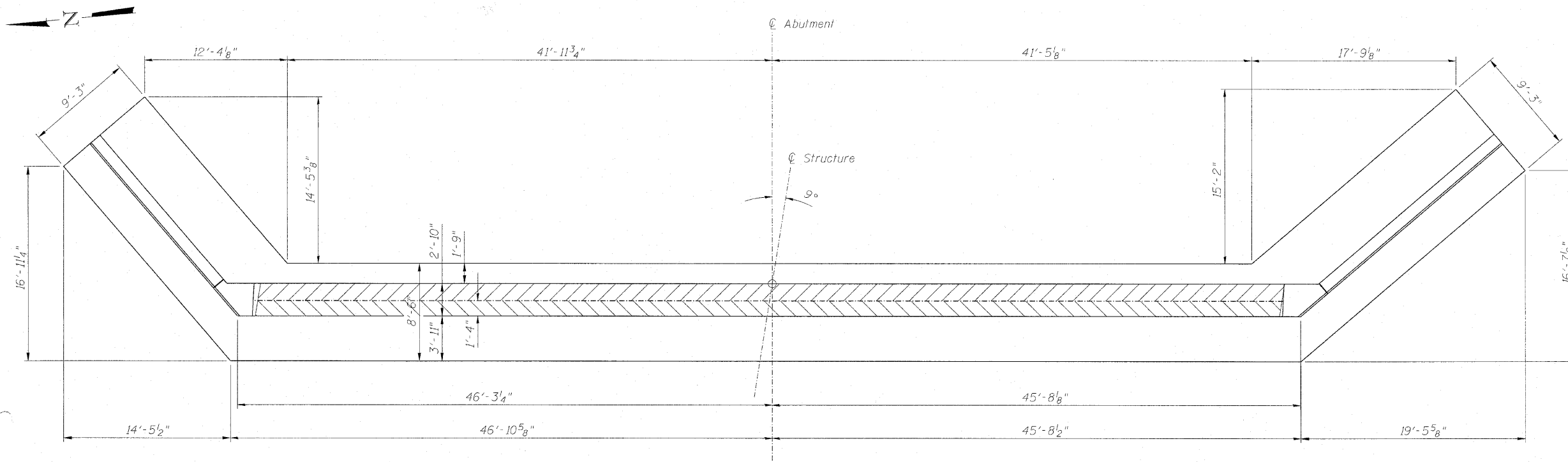
STATE OF ILLINOIS
DEPARTMENT OF TRANSPORTATION



EXISTING EAST ABUTMENT ELEVATION



SECTION THRU EAST ABUTMENT



EXISTING EAST ABUTMENT PLAN

Note:
Clean and reuse existing bars at top of wingwalls. Cost included in item for "Structural Repair of Concrete (Depth greater than 5 inches)."
See sheet S21 of S27 for Bill of Materials.

DESIGNED MAH
CHECKED JMH
DRAWN DR
CHECKED JMH

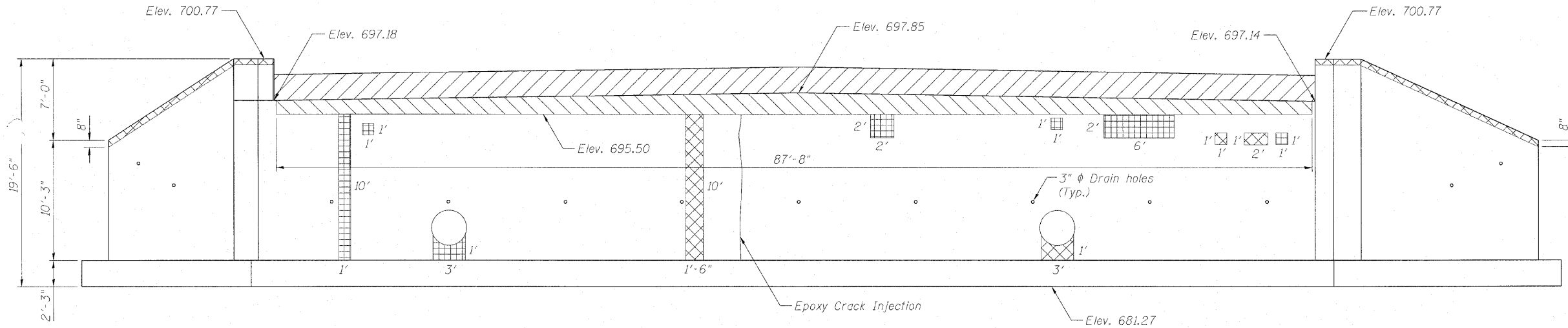
- Legend:
- Concrete Removal (Backwall/Abutment)
 - Concrete Removal (Beam Seat)
 - Structural Repair of Concrete (Depth less than 5 inches)
 - Structural Repair of Concrete (Depth greater than 5 inches)

COLLINS ENGINEERS
123 N. WACKER DR., SUITE 300
CHICAGO, IL 60606
(312) 704-9300
ILLINOIS PROFESSIONAL DESIGN FIRM LICENSE NO. 184-000993

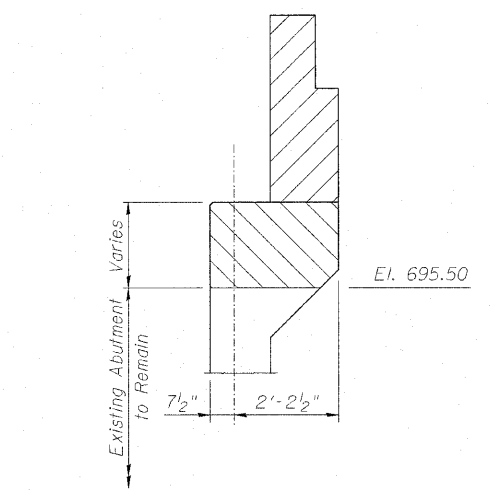
SHEET NO. S20 OF S27 SHEETS	F.A.P. RTE. 339	SECTION 116-Y-2-BR-1	COUNTY COOK	TOTAL SHEETS 74	SHEET NO. 40
	CONTRACT NO. 60J00				
ILLINOIS FED. AID PROJECT					

EXISTING EAST ABUTMENT
STRUCTURE NO. 016-0581

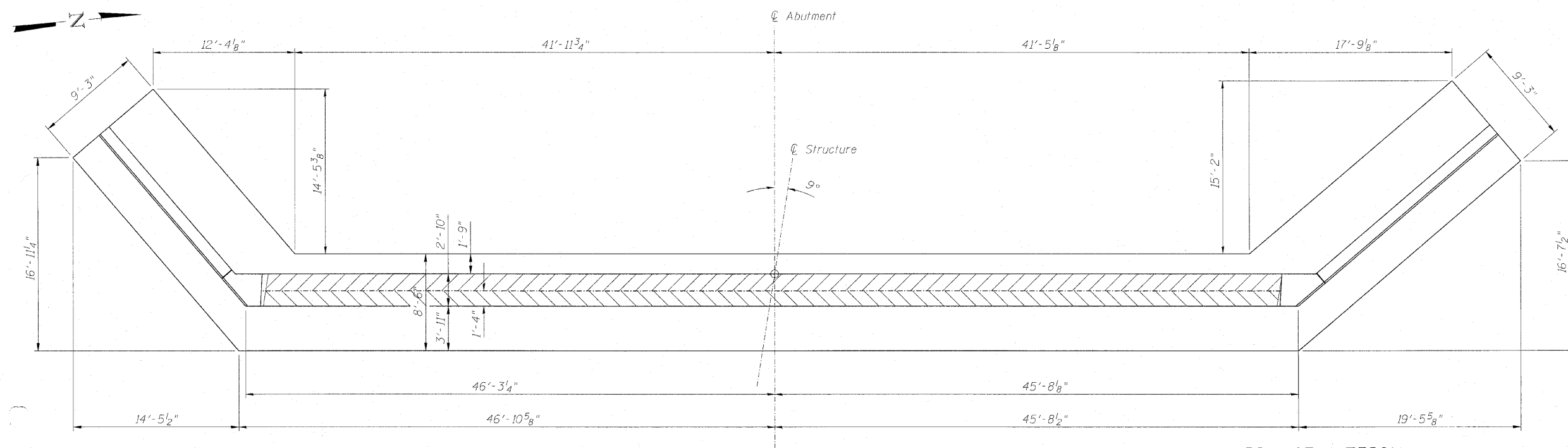
STATE OF ILLINOIS
DEPARTMENT OF TRANSPORTATION



EXISTING WEST ABUTMENT ELEVATION



SECTION THRU WEST ABUTMENT



EXISTING WEST ABUTMENT PLAN

BILL OF MATERIAL
(For Two Abutments)

Item	Unit	Total
Concrete Removal	Cu. Yd.	64.4
Epoxy Crack Injection	Foot	15
Structural Repair of Concrete (Depth Greater than 5")	Sq. Ft.	128
Structural Repair of Concrete (Depth Less than 5")	Sq. Ft.	34

Note:
Clean and reuse existing bars at top of wingwalls. Cost included in item for "Structural Repair of Concrete (Depth greater than 5 inches)."

EXISTING WEST ABUTMENT
STRUCTURE NO. 016-0581

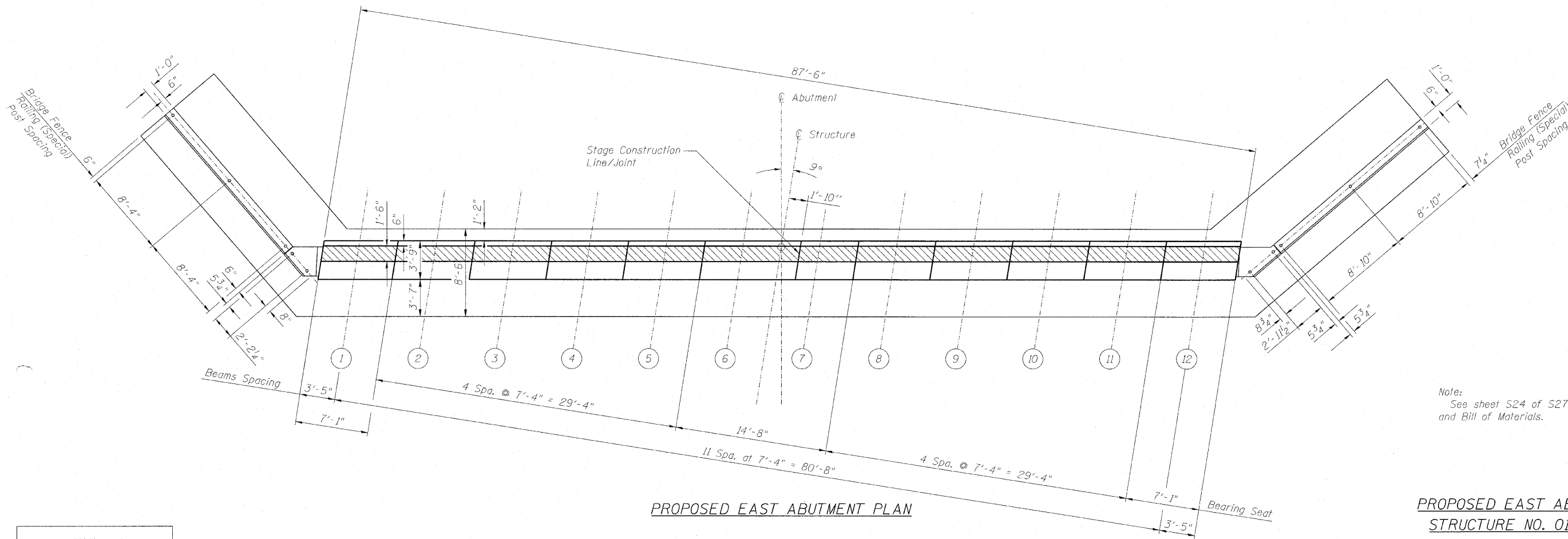
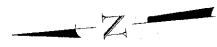
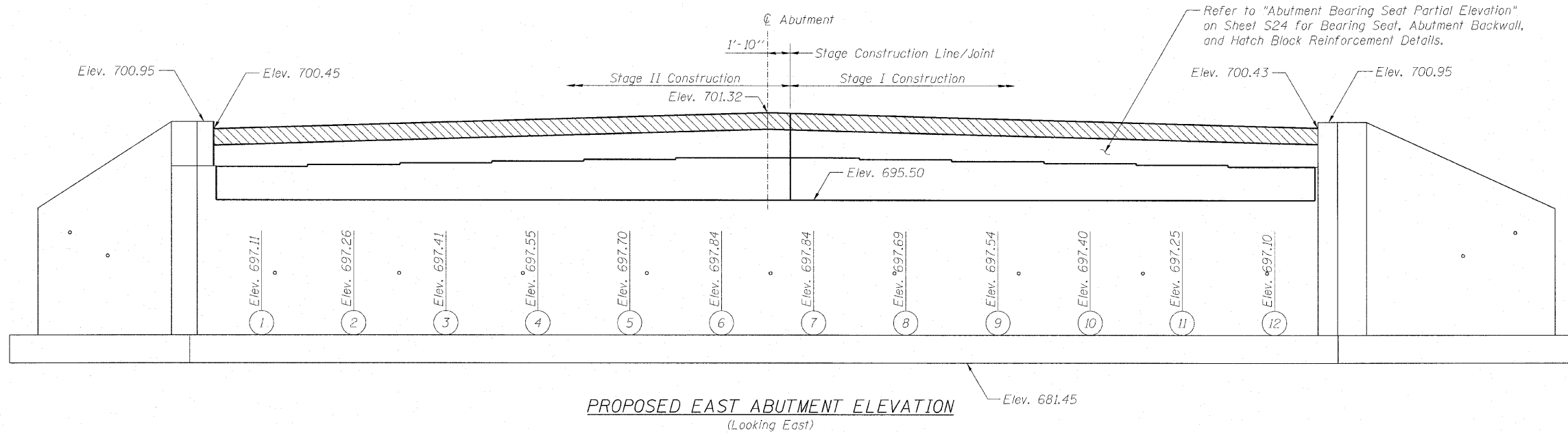
DESIGNED MAH
CHECKED JMH
DRAWN DR
CHECKED JMH

- Legend:
- Concrete Removal (Backwall/Abutment)
 - Concrete Removal (Beam Seat)
 - Structural Repair of Concrete (Depth less than 5 inches)
 - Structural Repair of Concrete (Depth greater than 5 inches)

COLLINS ENGINEERS
123 N. WACKER DR., SUITE 300
CHICAGO, IL 60606
(312) 704-9300
ILLINOIS PROFESSIONAL DESIGN FIRM LICENSE NO. 184-000993

SHEET NO. S21 OF S27 SHEETS	F.A.P. RTE.	SECTION	COUNTY	TOTAL SHEETS	SHEET NO.
	339	116-Y-2-BR-1	COOK	74	41
			CONTRACT NO. 60J00		
ILLINOIS FED. AID PROJECT					

STATE OF ILLINOIS
DEPARTMENT OF TRANSPORTATION



DESIGNED	MAH
CHECKED	JMH
DRAWN	DR
CHECKED	JMH

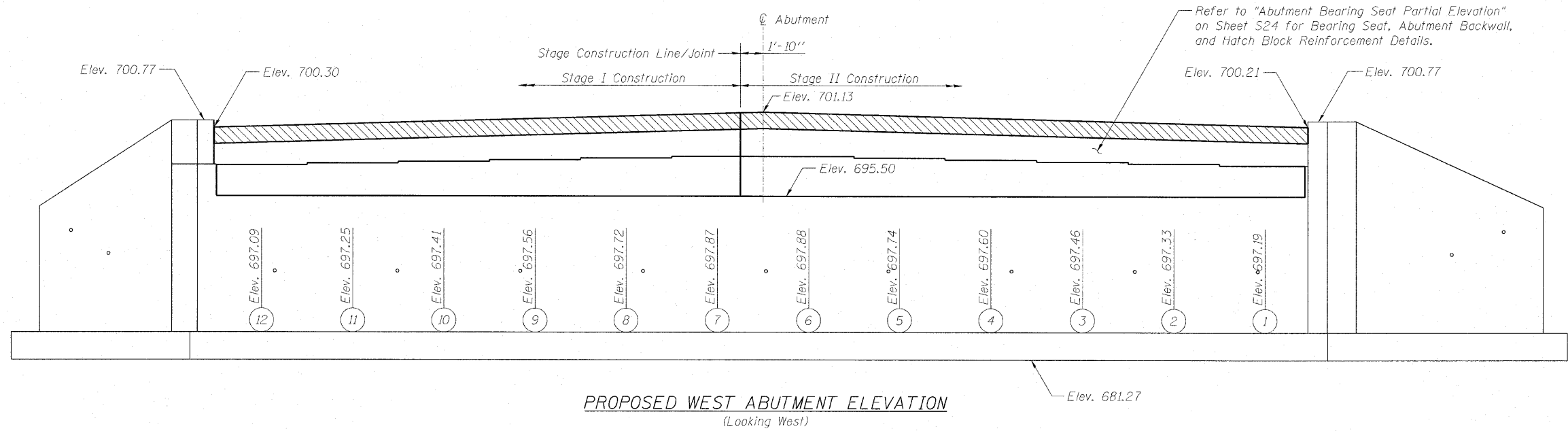
Legend:
 New Construction
 To be Poured after Beams have been erected

COLLINS ENGINEERS
 123 N. WACKER DR.,
 SUITE 300
 CHICAGO, IL 60606
 (312) 704-9300
 ILLINOIS PROFESSIONAL DESIGN FIRM LICENSE NO. 184-000993

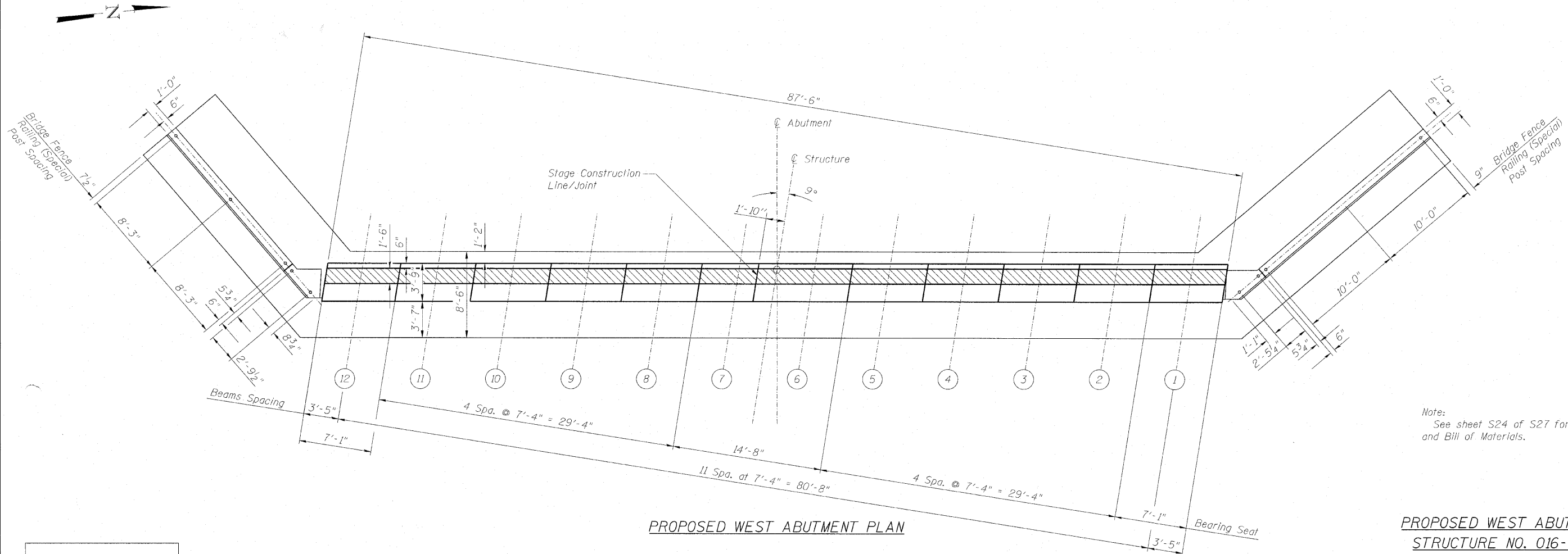
SHEET NO. S22 OF S27 SHEETS	F.A.P. RTE.	SECTION	COUNTY	TOTAL SHEETS	SHEET NO.
	339	116-Y-2-BR-1	COOK	74	42
CONTRACT NO. 60J00					
ILLINOIS FED. AID PROJECT					

PROPOSED EAST ABUTMENT
STRUCTURE NO. 016-0581

STATE OF ILLINOIS
DEPARTMENT OF TRANSPORTATION



PROPOSED WEST ABUTMENT ELEVATION
(Looking West)



PROPOSED WEST ABUTMENT PLAN

Note:
See sheet S24 of S27 for Abutment Details
and Bill of Materials.

PROPOSED WEST ABUTMENT
STRUCTURE NO. 016-0581

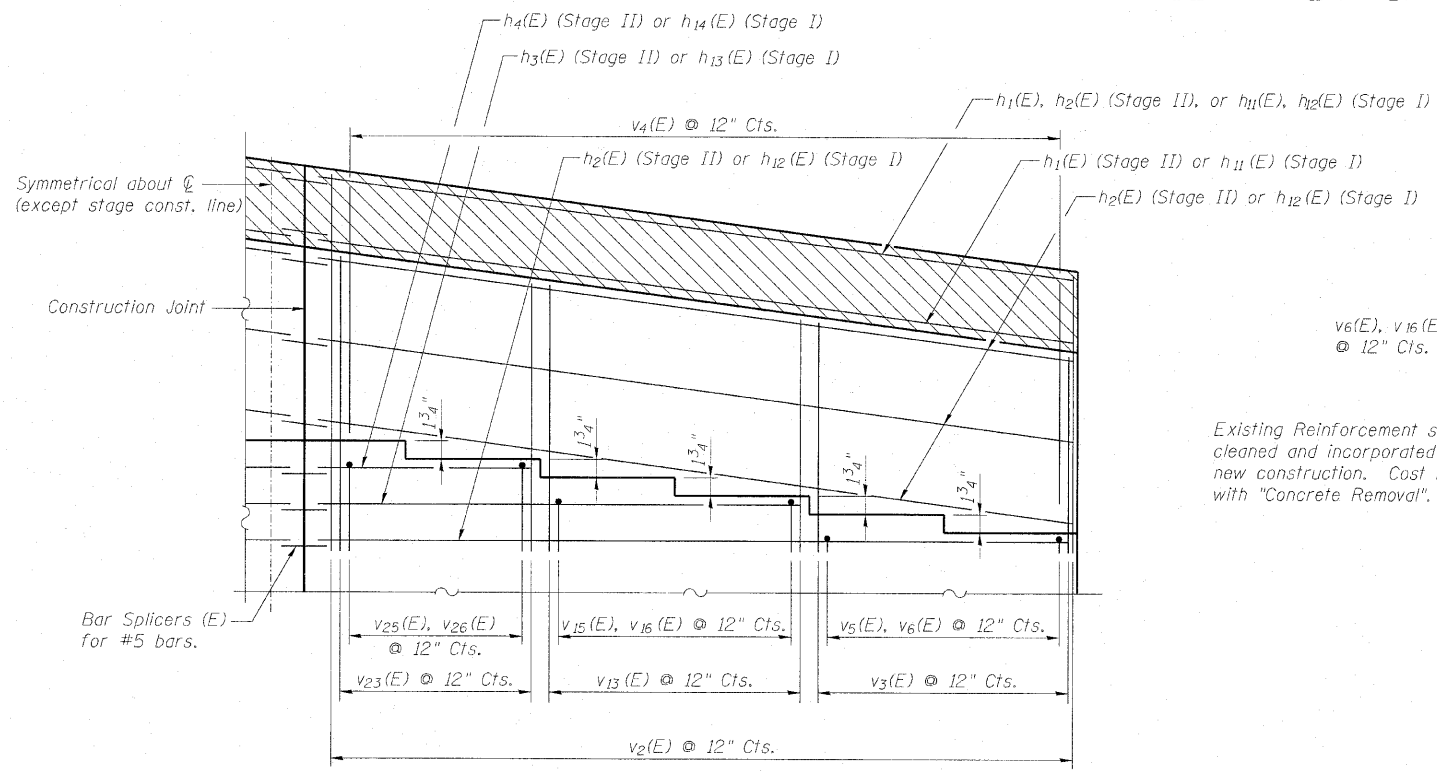
DESIGNED	MAH
CHECKED	JMH
DRAWN	DR
CHECKED	JMH

Legend:
 New Construction
 To be Poured after Beams have been erected

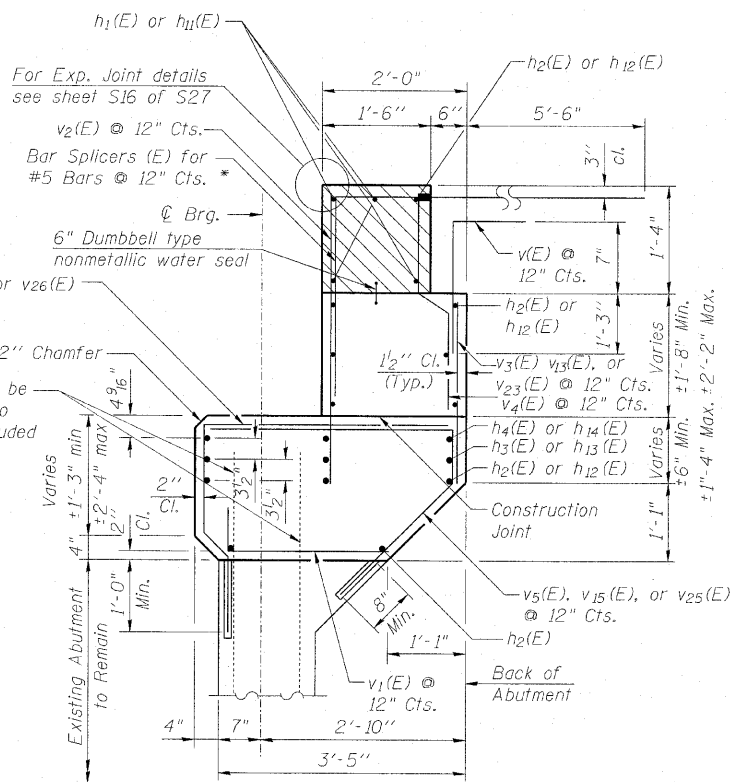
COLLINS ENGINEERS
 123 N. WACKER DR.,
 SUITE 300
 CHICAGO, IL 60606
 (312) 704-9300
 ILLINOIS PROFESSIONAL DESIGN FIRM LICENSE NO. 184-000993

SHEET NO. S23 OF S27 SHEETS	F.A.P. RTE.	SECTION	COUNTY	TOTAL SHEETS	SHEET NO.
	339	116-Y-2-BR-1	COOK	74	43
CONTRACT NO. 60J00					
ILLINOIS FED. AID PROJECT					

STATE OF ILLINOIS
DEPARTMENT OF TRANSPORTATION



ABUTMENT BEARING SEAT PARTIAL ELEVATION
(Typ. Both Abutments)



SECTION THRU ABUTMENTS
(Typ. Both Abutments)

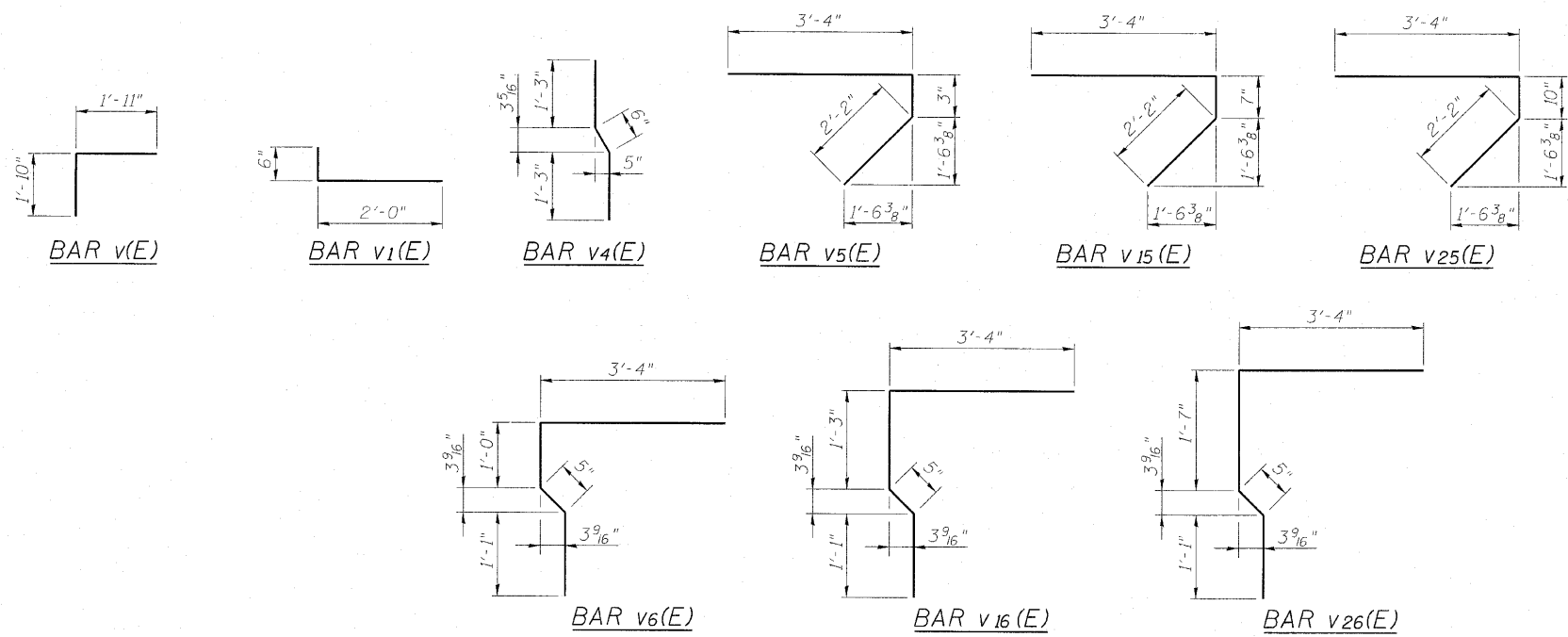
BILL OF MATERIAL
(For Two Abutments)

Bar	No.	Size	Length	Shape
h1(E)	8	#6	45'-9"	—
h2(E)	24	#5	45'-9"	—
h3(E)	6	#5	31'-2"	—
h4(E)	6	#5	16'-4"	—
h11(E)	8	#6	42'-1"	—
h12(E)	24	#5	42'-1"	—
h13(E)	6	#5	27'-6"	—
h14(E)	6	#5	12'-8"	—
v(E)	178	#5	3'-9"	⌋
v1(E)	178	#4	2'-6"	⌋
v2(E)	178	#4	4'-2"	—
v3(E)	64	#4	2'-0"	—
v4(E)	178	#4	3'-0"	⌋
v5(E)	64	#4	5'-9"	⌋
v6(E)	64	#4	5'-10"	⌋
v13(E)	64	#4	2'-4"	—
v15(E)	64	#4	6'-1"	⌋
v16(E)	64	#4	6'-1"	⌋
v23(E)	64	#4	2'-7"	—
v25(E)	64	#4	6'-4"	⌋
v26(E)	64	#4	6'-5"	⌋
Reinforcement Bars, Epoxy Coated		Pound	7,505	
Concrete Structures		Cu. Yds.	87.5	
Concrete Sealer		Sq. Ft.	930	
Structure Excavation		Cu. Yds.	98	

Existing Reinforcement shall be cleaned and incorporated into new construction. Cost included with "Concrete Removal."

* Alternate with v2(E) Bars. Place Parallel to Beams.

Note:
Any reinforcement bars that are damaged during concrete removal operation shall be repaired or replaced using approved bar splicer or anchorage system. Cost included with "Concrete Removal."
Pour steps monolithically with cap.



ABUTMENT DETAILS
STRUCTURE NO. 016-0581

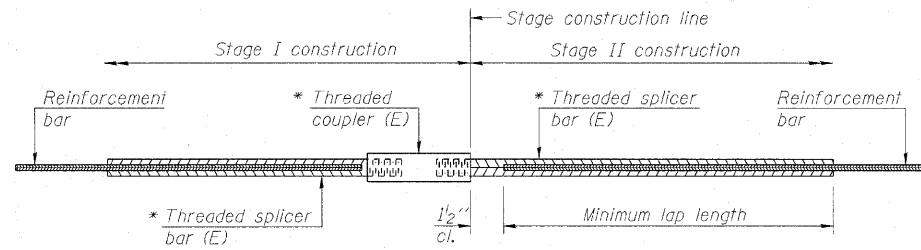
DESIGNED	MAH
CHECKED	JMH
DRAWN	DR
CHECKED	JMH

Legend:
 To be Poured after Beams have been erected
 New Construction

COLLINS ENGINEERS
123 N. WACKER DR., SUITE 300
CHICAGO, IL 60606
(312) 704-9300
ILLINOIS PROFESSIONAL DESIGN FIRM LICENSE NO. 184-000993

SHEET NO. S24 OF S27 SHEETS	F.A.P. RTE.	SECTION	COUNTY	TOTAL SHEETS	SHEET NO.
	339	116-Y-2-BR-1	COOK	74	44
CONTRACT NO. 60J00					ILLINOIS FED. AID PROJECT

STATE OF ILLINOIS
DEPARTMENT OF TRANSPORTATION



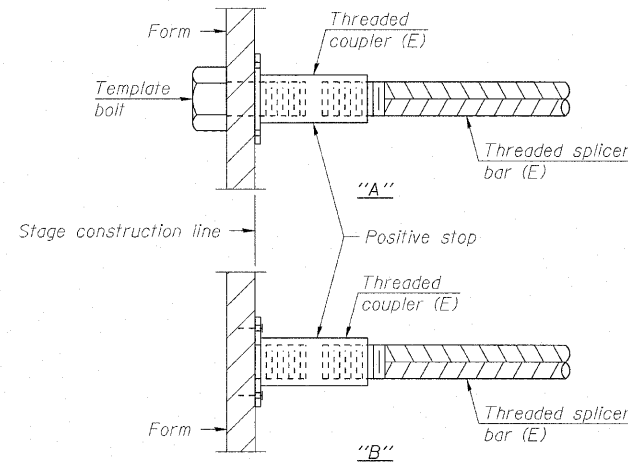
STANDARD BAR SPLICER ASSEMBLY

Bar size to be spliced	Minimum Lap Lengths			
	Table 1	Table 2	Table 3	Table 4
3, 4	1'-5"	1'-11"	2'-1"	2'-4"
5	1'-9"	2'-5"	2'-7"	2'-11"
6	2'-1"	2'-11"	3'-1"	3'-6"
7	2'-9"	3'-10"	4'-2"	4'-8"
8	3'-8"	5'-1"	5'-5"	6'-2"
9	4'-7"	6'-5"	6'-10"	7'-9"

Table 1: Black bar, 0.8 Class C
Table 2: Black bar, Top bar lap, 0.8 Class C
Table 3: Epoxy bar, 0.8 Class C
Table 4: Epoxy bar, Top bar lap, 0.8 Class C

Threaded splicer bar length = min. lap length + 1/2" + thread length

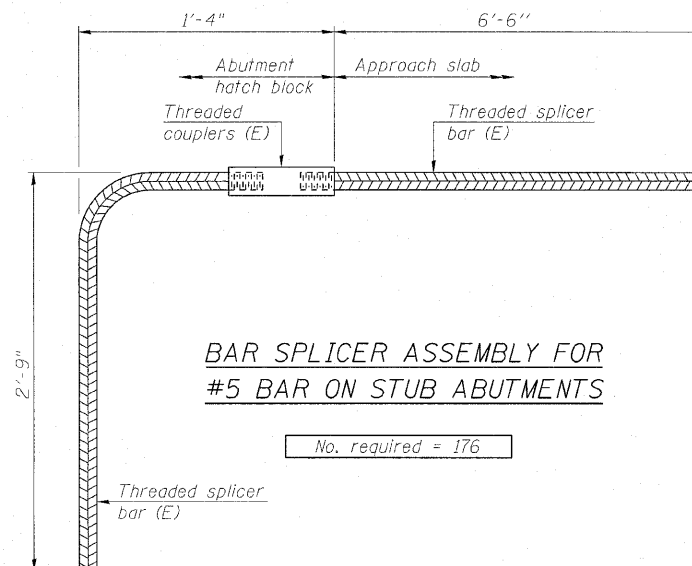
* Epoxy not required on Bar Splicer Assembly components used in conjunction with black bars.



INSTALLATION AND SETTING METHODS

"A": Set bar splicer assembly by means of a template bolt.
"B": Set bar splicer assembly by nailing to wood forms or cementing to steel forms.
(E): Indicates epoxy coating.

Location	Bar size	No. assemblies required	Table for minimum lap length
Superstructure	#5	213	Table 3
Approach	#4	50	Table 3
Approach	#5	92	Table 3
Approach Footing	#5	80	Table 3
E. & W. Abutments	#5	36	Table 3
E. & W. Abutments	#6	8	Table 3



BAR SPLICER ASSEMBLY FOR
#5 BAR ON STUB ABUTMENTS

No. required = 176

NOTES

Splicer bars shall be deformed with threaded ends and have a minimum 60 ksi yield strength.
All reinforcement shall be lapped and tied to the splicer bars.
Bar splicer assemblies shall be epoxy coated according to the requirements for reinforcement bars. See Section 508 of the Standard Specifications.
See special provision for Mechanical Splicers.
See approved list of bar splicer assemblies and mechanical splicers for alternatives.

BAR SPLICER ASSEMBLY AND
MECHANICAL SPLICER DETAILS
STRUCTURE NO. 016-0581

DESIGNED MAH
CHECKED JMH
DRAWN DR
CHECKED JMH

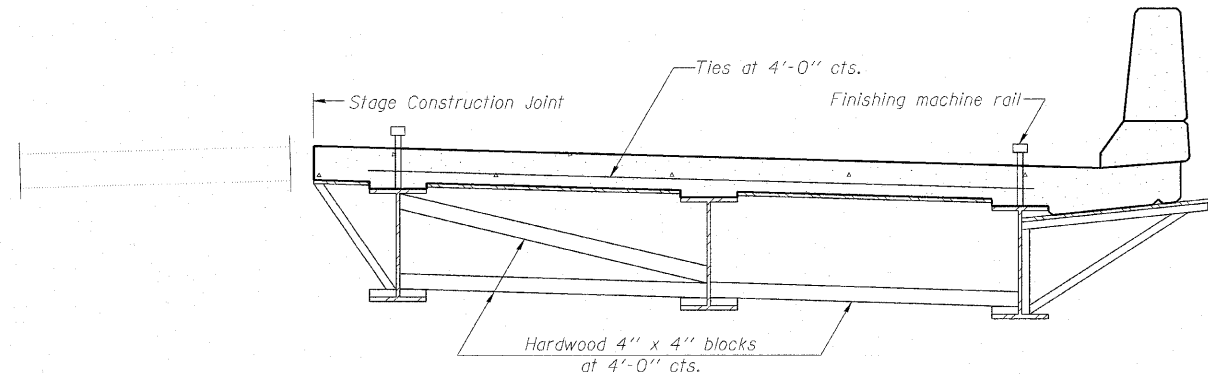
BSD-1

11-1-09

COLLINS ENGINEERS
123 N. WACKER DR., SUITE 300
CHICAGO, IL 60606
(312) 704-9300
ILLINOIS PROFESSIONAL DESIGN FIRM LICENSE NO. 184-000993

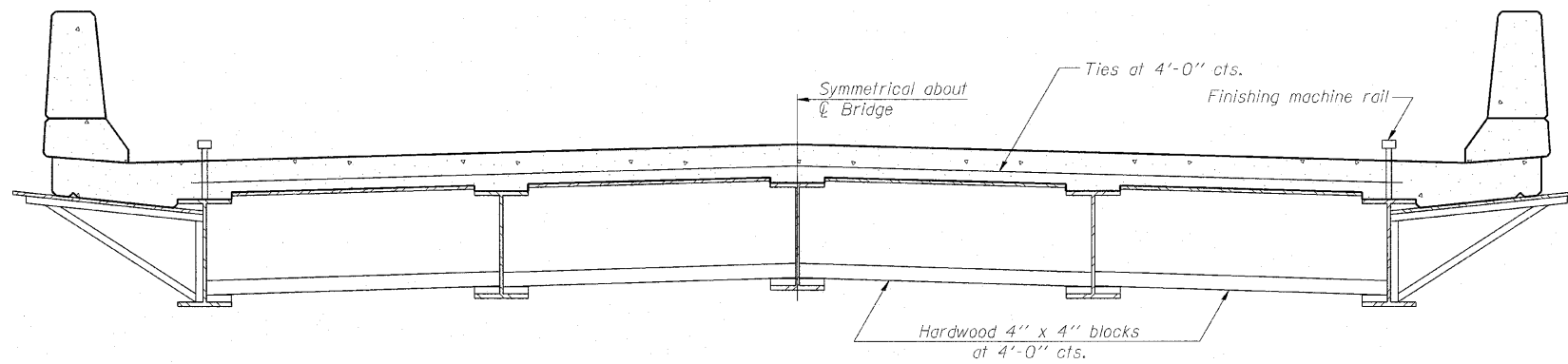
SHEET NO. S25 OF S27 SHEETS	F.A.P. RTE.	SECTION	COUNTY	TOTAL SHEETS	SHEET NO.
	339	116-Y-2-BR-1	COOK	74	45
			CONTRACT NO. 60J00		
ILLINOIS FED. AID PROJECT					

STATE OF ILLINOIS
DEPARTMENT OF TRANSPORTATION



FORM BRACES FOR
STAGE CONSTRUCTION

When cantilever forming brackets are used, the work shall be done according to Article 503.06(b) of the Standard Specifications, except as modified below and in the details shown on this sheet.
The finishing machine rails shall be placed on the top flange of the exterior beams.
The beams or girders, supporting cantilever forming brackets, shall be tied together at 4 foot intervals.
For Standard construction, or Stage Construction the Hardwood bracing materials shall be placed as shown between webs of beams in each bay.



FORM BRACES FOR
STANDARD CONSTRUCTION

CANTILEVER FORMING BRACKETS
FOR SUPERSTRUCTURES WITH
W27 BEAMS AND SMALLER
STRUCTURE NO. 016-0581

DESIGNED	MAH
CHECKED	JMH
DRAWN	DR
CHECKED	JMH

SB-1

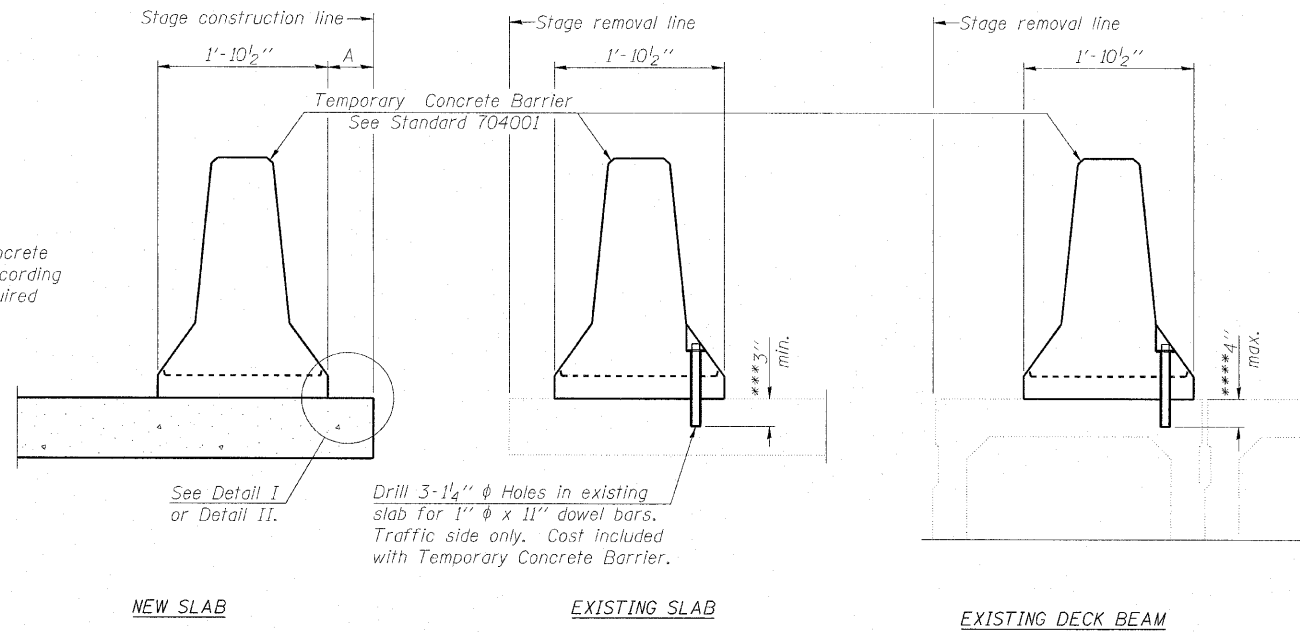
11-1-09

COLLINS ENGINEERS
123 N. WACKER DR.,
SUITE 300
CHICAGO, IL 60606
(312) 704-9300
ILLINOIS PROFESSIONAL DESIGN FIRM LICENSE NO. 184-000993

SHEET NO. S26 OF S27 SHEETS	F.A.P. RTE.	SECTION	COUNTY	TOTAL SHEETS	SHEET NO.
	339	116-Y-2-BR-1	COOK	74	46
CONTRACT NO. 60J00					
ILLINOIS FED. AID PROJECT					

STATE OF ILLINOIS
DEPARTMENT OF TRANSPORTATION

When "A" is 3'-6" or less, the temporary concrete barrier shall be anchored to the new slab according to Detail I or Detail II. No anchorage is required when "A" is greater than 3'-6".



Drill 3-1/4" ϕ Holes in existing slab for 1" ϕ x 11" dowel bars. Traffic side only. Cost included with Temporary Concrete Barrier.

NOTES

Detail I - With Bar Splicer or Couplers:
Connect one (1) 1"x7"x10" steel \bar{R} to the top layer of couplers with 2-5/8" ϕ bolts screwed to coupler at approximate \bar{C} of each barrier panel.

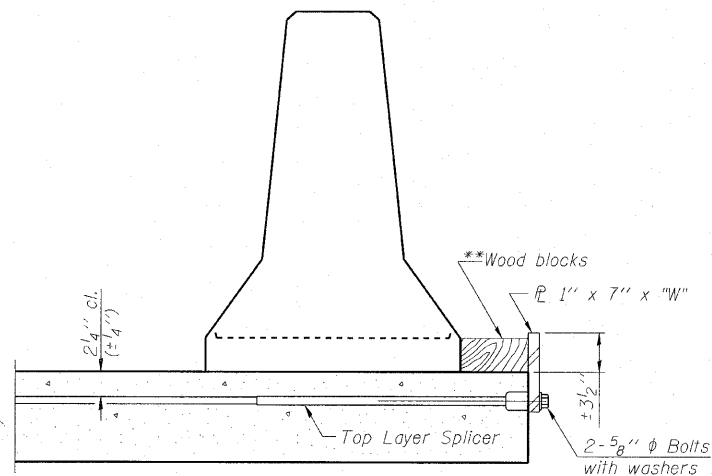
Detail II - With Extended Reinforcement Bars:
Connect one (1) 1"x7"x10" steel \bar{R} to the concrete slab or concrete wearing surface with 2-5/8" ϕ Expansion Anchors or cast in place inserts spaced between the top layer of reinforcement at approximate \bar{C} of each barrier panel.

Cost of anchorage is included with Temporary Concrete Barrier. The 1" x 7" x 10" plate shall not be removed until stage II construction forms and all reinforcement bars are in place and the concrete is ready to be placed.

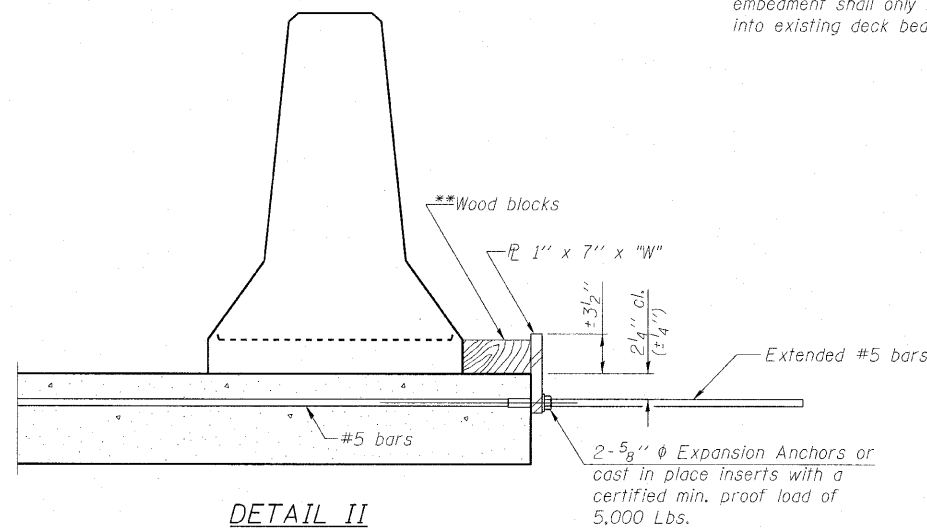
SECTIONS THRU SLAB OR DECK BEAM

*** Dimension shown is minimum required embedment into concrete. If hot-mix asphalt wearing surface is present, minimum embedment shall be in addition to wearing surface depth.

**** If existing deck beam is to remain in place after stage construction, embedment shall only be into wearing surface and not into existing deck beam concrete.



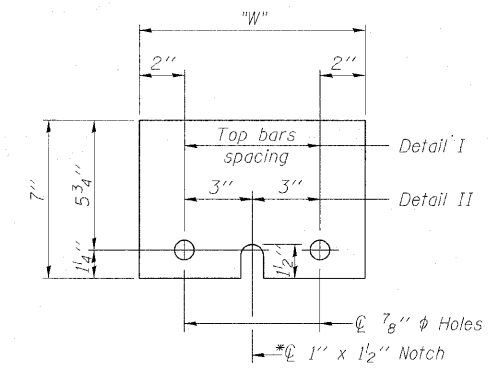
DETAIL I



DETAIL II

** Wood blocks may be omitted when required to provide minimum stage traffic lane width. When the wood blocks are omitted, the concrete barrier shall be in direct contact with the steel retainer plate.

"W" = Top bars spacing + 4"



STEEL RETAINER \bar{R} 1" x 7" x 10"

* Required only with Detail II

DESIGNED MAH
CHECKED JMH
DRAWN DR
CHECKED JMH

R-27

11-1-09

COLLINS ENGINEERS
123 N. WACKER DR., SUITE 300 CHICAGO, IL 60606 (312) 704-9300
ILLINOIS PROFESSIONAL DESIGN FIRM LICENSE NO. 184-000993

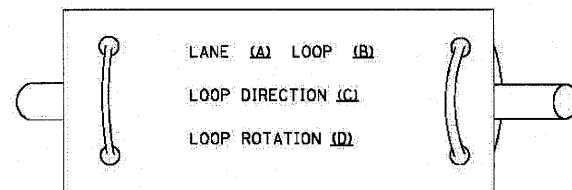
SHEET NO. S27 OF S27 SHEETS	F.A.P. RTE. 339	SECTION 116-Y-2-BR-1	COUNTY COOK	TOTAL SHEETS 74	SHEET NO. 47
	CONTRACT NO. 60J00			ILLINOIS FED. AID PROJECT	

TEMPORARY CONCRETE BARRIER
FOR STAGE CONSTRUCTION
STRUCTURE NO. 016-0581

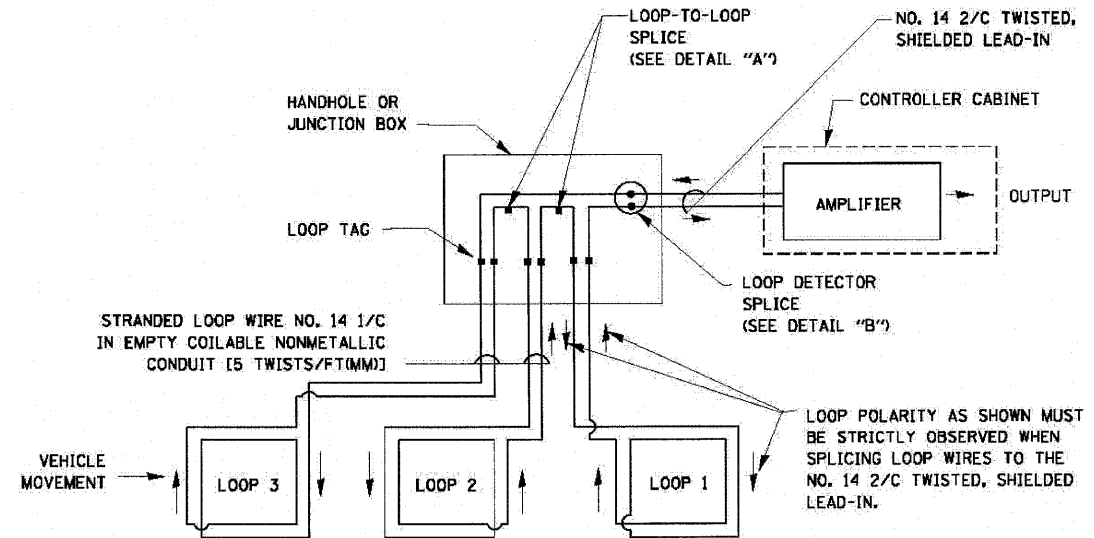
LOOP DETECTOR NOTES

1. EACH PAIR OF LOOP WIRES SHALL BE PLACED IN A SEPARATE EMPTY COILABLE NONMETALLIC CONDUIT FROM THE EDGE OF PAVEMENT TO THE HANDHOLE. SPACING BETWEEN THE HOLES DRILLED IN THE PAVEMENT SHALL NOT BE LESS THAN 6" (150 mm). EMPTY COILABLE NONMETALLIC CONDUIT SHALL BE INCLUDED IN THE COST OF THE LOOP WIRE.
2. THE NUMBER OF LOOP TURNS SHALL BE AS RECOMMENDED BY THE AMPLIFIER MANUFACTURER. ALL ADJACENT SIDES OF THE LOOPS SHALL BE INSTALLED IN SUCH A WAY THAT THE CURRENT FLOW IS IN THE SAME DIRECTION TO REINFORCE ITS MAGNETIC FIELDS FOR SMALL VEHICLE DETECTION.
3. EACH LOOP LEAD-IN SHALL BE IDENTIFIED AND PERMANENTLY TAGGED IN THE HANDHOLE. EACH LEAD-IN CABLE TAG SHALL INDICATE THE LOCATION OF THE LOOP, LOOP ROTATION (CLOCKWISE/COUNTERCLOCKWISE), LOOP LEAD-IN DIRECTION (IN OR OUT), LOOP CABLE NUMBER AND LOCATION IN CABINET, AND NUMBER OF TURNS IN THE DETECTOR LOOPS IN WATER PROOF INK AS INDICATED ON THE DISTRICT 1 STANDARD TRAFFIC SIGNAL DESIGN DETAIL. THE CONTRACTOR SHALL MARK LOOP LOCATIONS ON RECORD DRAWINGS AND PRESENT TO THE ENGINEER AFTER FINAL INSPECTION. LOOPS SHALL BE MARKED BY LANE AND LOOP NUMBER. SEE DETAIL BELOW.
4. ALL LOOP CABLE SHALL BE FASTENED WITH PLASTIC TIE WRAP TO THE HANDHOLE HOOKS.
5. IN ASPHALT PAVEMENT, LOOPS SHOULD BE PLACED IN THE BINDER AND DIVESHOLES MARKED AT THE CURB WITH A SAW-CUT. THE SAW-CUT SHALL BE CUT IN ACCORDANCE WITH LOCAL AND E.P.A. DUST CONTROL REQUIREMENTS. DETECTOR LOOP(S) SHALL NOT BE INSTALLED IN WET CONDITIONS AND THE SAW-CUTS MUST BE FREE OF DEBRIS AND RESIDUE SUCH AS DUST AND WATER WHICH IS TO BE ACHIEVED BY THE USE OF COMPRESSED AIR, WIRE BRUSHING AND HEAT DRYING ACCORDING TO SEALANT MANUFACTURER REQUIREMENTS. THE DETECTOR WIRE SHALL BE HELD IN PLACE BY THE USE OF FORM WEDGES. WEDGES SHALL BE SPACED NO MORE THAN 18" (450 mm) APART.
6. LOOP SPLICES SHALL BE SOLDERED USING A SOLDERING IRON. BLOW TORCHES OR OTHER DEVICES WHICH OXIDIZE COPPER CABLE SHALL NOT BE ALLOWED FOR SOLDERING OPERATIONS. SEE DETAIL BELOW RIGHT.
7. PREFORMED DETECTOR LOOPS SHALL BE USED, AS SHOWN ON THE PLANS, WHERE NEW CONCRETE PAVEMENT IS PROPOSED. THE INSTALLATION OF PREFORMED LOOPS SHALL BE IN ACCORDANCE WITH THE DISTRICT 1 SPECIFICATIONS OR AS DIRECTED BY THE ENGINEER.

LOOP LEAD-IN CABLE TAG

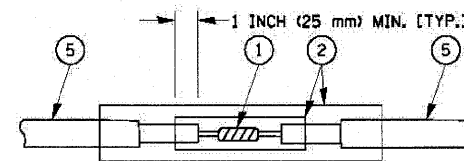


- A. LANE 1 IS THE LANE CLOSEST TO THE CENTERLINE OF THE ROADWAY
- B. LOOP #1 IS THE LOOP IN THE LANE CLOSEST TO THE INTERSECTION.
- C. LABEL LOOP CABLE "IN" OR LOOP CABLE "OUT".
- D. LABEL LOOP CABLE CLOCKWISE OR LOOP CABLE COUNTERCLOCKWISE.

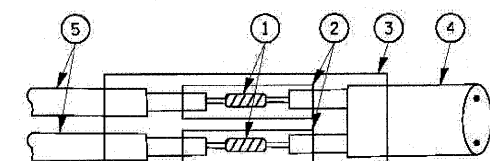


DETECTOR LOOP WIRING SCHEMATIC

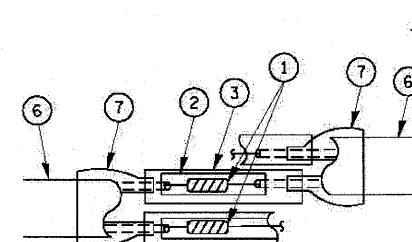
- LOOPS SHALL BE SPLICED IN SERIES.
- SAW-CUTS SHALL BE A MINIMUM WIDTH OF 5/16" (8 mm).
- SAW-CUT DEPTHS SHALL BE 3" (75 mm). IF IN CONCRETE, THE SAW-CUT DEPTH SHALL BE TO THE TOP OF THE REINFORCEMENT.
- LOOP CORNERS SHALL BE DRILLED WITH A 2" (50 mm) DIAMETER CORE.



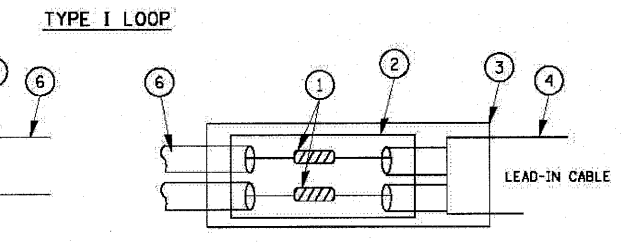
**DETAIL "A"
LOOP-TO-LOOP SPLICE**



**DETAIL "B"
LOOP-TO-CONTROLLER SPLICE**



**DETAIL "A"
LOOP-TO-LOOP SPLICE**



**DETAIL "B"
LOOP-TO-CONTROLLER SPLICE**

LOOP DETECTOR SPLICE

- 1 WESTERN UNION SPLICE SOLDERED WITH ROSIN CORE FLUX. ALL EXPOSED SURFACES OF THE SOLDER SHALL BE SMOOTH.
- 2 WCSMW 30/100 HEAT SHRINK TUBE, MINIMUM LENGTH 3" (75 mm), UNDERWATER GRADE.
- 3 WCS 200/750 HEAT SHRINK TUBE, MINIMUM LENGTH 6" (150 mm), UNDERWATER GRADE.
- 4 NO. 14 2/C TWISTED, SHIELDED CABLE.
- 5 LOOP CONDUCTOR WITH FLEXIBLE PLASTIC TUBE.
- 6 PRE-FORMED LOOP
- 7 XL POLYOLEFIN 2 CONDUCTOR BREAKOUT SEALS. TYCO CBR-2 OR APPROVED EQUAL

FILE NAME =	USER NAME = @USP10	DESIGNED - PKG	REVISED -
#FILE#		DRAWN - MAA, EA	REVISED -
	PLOT SCALE = @SCALE#	CHECKED - PKG	REVISED -
	PLOT DATE = @DATE#	DATE - 6/23/2010	REVISED -

**STATE OF ILLINOIS
DEPARTMENT OF TRANSPORTATION**

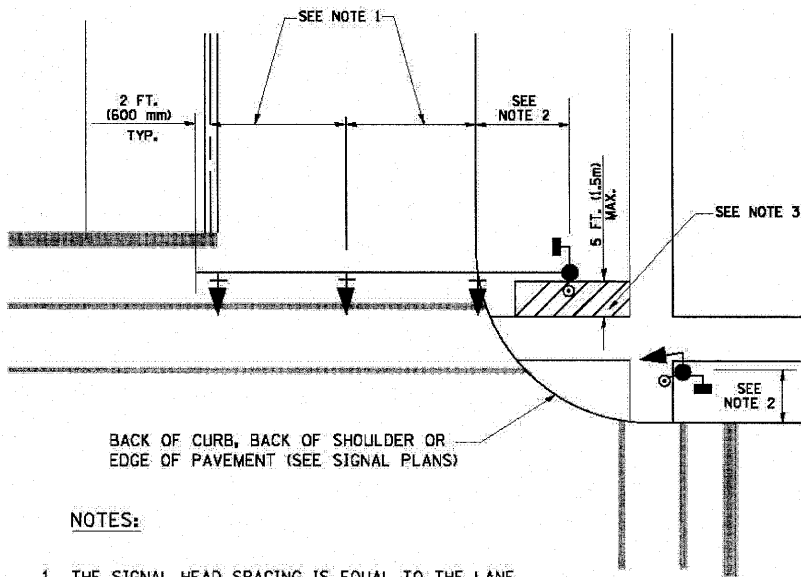
DISTRICT ONE
STANDARD TRAFFIC SIGNAL DESIGN DETAILS

SCALE: SHEET NO. OF SHEETS STA. TO STA.

F.A.P. RTE.	SECTION	COUNTY	TOTAL SHEETS	SHEET NO.
339	116-Y-2-BR-1	COOK	74	48
CONTRACT NO. 60J00				
[ILLINOIS] FED. AID PROJECT				

TRAFFIC SIGNAL MAST ARM AND SIGNAL POST

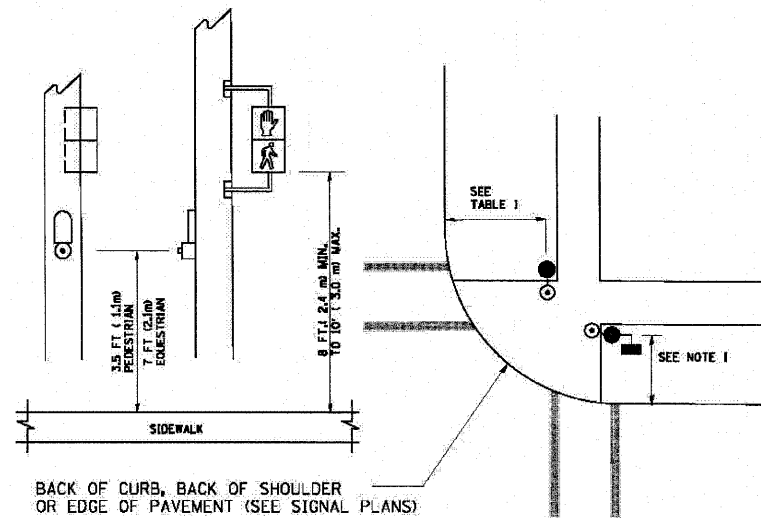
MAST ARM MOUNTED SIGNALS IN EXISTING, PROPOSED OR FUTURE SIDEWALK/BICYCLE PATH AREA. INTERSECTION SHOWN WITH PEDESTRIAN SIGNALS AND PEDESTRIAN PUSHBUTTON DETECTORS.



NOTES:

1. THE SIGNAL HEAD SPACING IS EQUAL TO THE LANE WIDTH OR AS SHOWN ON THE TRAFFIC SIGNAL PLAN.
2. REFER TO THE TRAFFIC SIGNAL EQUIPMENT OFFSET TABLE.
3. PROVIDE A LEVEL ALL-WEATHER SURFACE (CONCRETE SIDEWALK, ASPHALT BICYCLE PATH SURFACE OR MATCHING MATERIAL TO THE ADJACENT SURFACE) UP TO THE MAST ARM SHAFT OR THE SIGNAL POST.
4. THE FACE OF THE PEDESTRIAN PUSHBUTTON SHALL BE PARALLEL TO THE CROSSWALK TO BE USED.
5. THE LOCATIONS AND INSTALLATION OF PEDESTRIAN SIGNAL HEADS AND PEDESTRIAN PUSHBUTTONS SHALL MEET THE REQUIREMENTS OF THE MUTCD AND INFORMATION FOUND IN THE "AMERICANS WITH DISABILITIES ACT ACCESSIBILITY GUIDELINES FOR BUILDINGS AND FACILITIES."

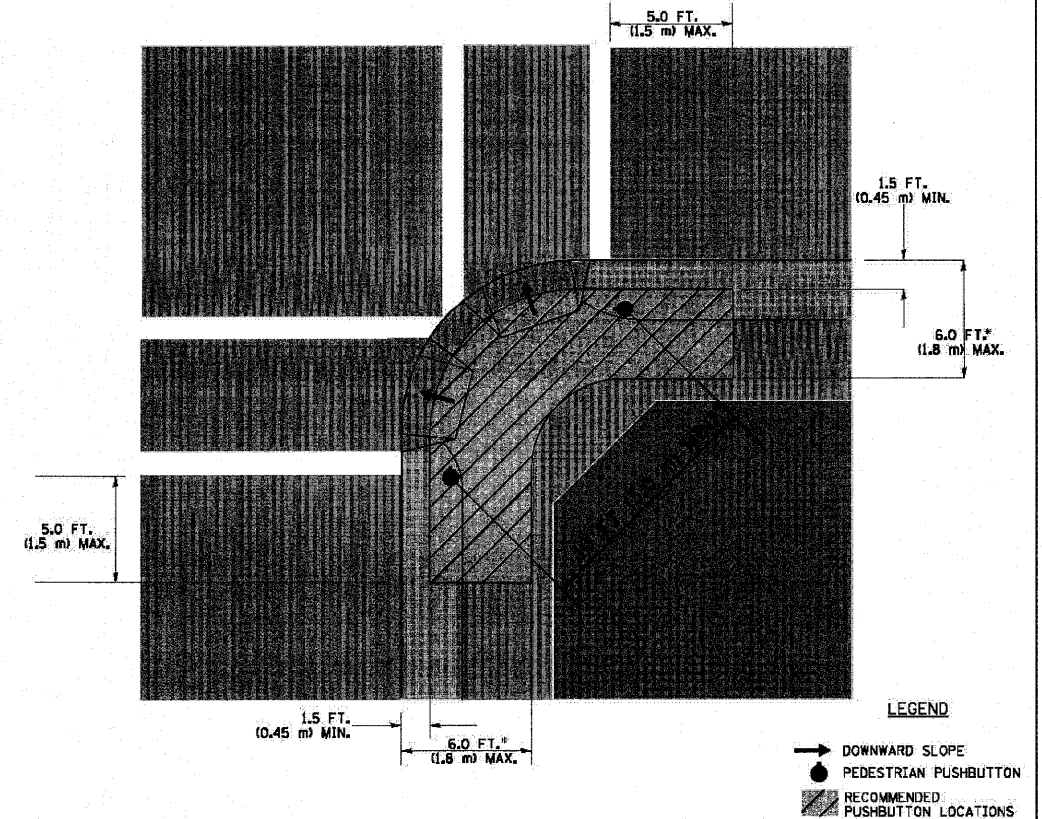
PEDESTRIAN SIGNAL POST AND PEDESTRIAN PUSH BUTTON POST



NOTES:

1. REFER TO THE TRAFFIC SIGNAL EQUIPMENT OFFSET TABLE.
2. PROVIDE A LEVEL ALL-WEATHER SURFACE (CONCRETE SIDEWALK, ASPHALT BICYCLE PATH SURFACE OR MATCHING MATERIAL TO THE ADJACENT SURFACE) UP TO THE PEDESTRIAN SIGNAL POST OR THE PEDESTRIAN PUSH BUTTON POST.
3. THE FACE OF THE PEDESTRIAN PUSHBUTTON SHALL BE PARALLEL TO THE CROSSWALK TO BE USED.
4. THE LOCATIONS AND INSTALLATION OF PEDESTRIAN SIGNAL HEADS AND PEDESTRIAN PUSHBUTTONS SHALL MEET THE REQUIREMENTS OF THE MUTCD AND INFORMATION FOUND IN THE "AMERICANS WITH DISABILITIES ACT ACCESSIBILITY GUIDELINES FOR BUILDINGS AND FACILITIES."

RECOMMENDED PUSHBUTTON LOCATIONS



LEGEND

- DOWNWARD SLOPE
- PEDESTRIAN PUSHBUTTON
- ▨ RECOMMENDED PUSHBUTTON LOCATIONS

- WHERE THERE ARE CONSTRAINTS THAT MAKE IT IMPRACTICAL TO PLACE THE PEDESTRIAN PUSHBUTTON BETWEEN 1.5 FT (0.45 m) AND 6 FT (1.8 m) FROM THE EDGE OF THE CURB, SHOULDER, OR PAVEMENT, IT SHOULD NOT BE FURTHER THAN 10 FT (3 m) FROM THE EDGE OF CURB, SHOULDER, OR PAVEMENT.
- WHERE THERE ARE CONSTRAINTS ON A PARTICULAR CORNER THAT MAKE IT IMPRACTICAL TO PROVIDE THE 10 FT (3 m) SEPERATION BETWEEN THE TWO PEDESTRIAN PUSHBUTTONS, THE PUSHBUTTONS MAY BE PLACED CLOSER TOGETHER OR ON THE SAME POLE.

NOTES:

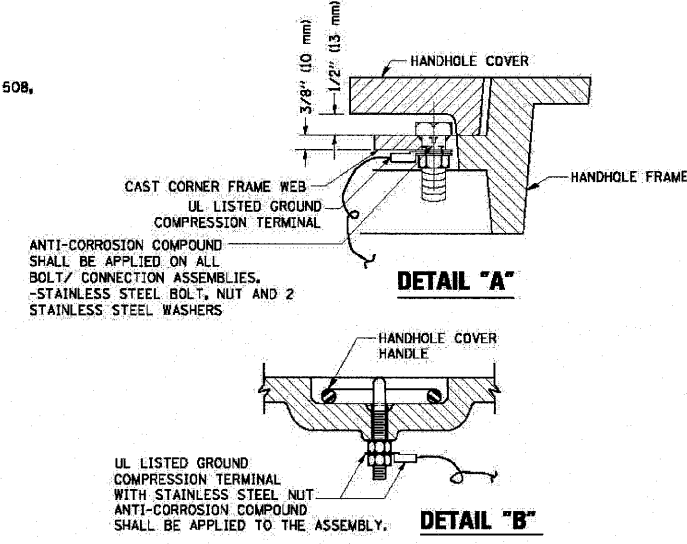
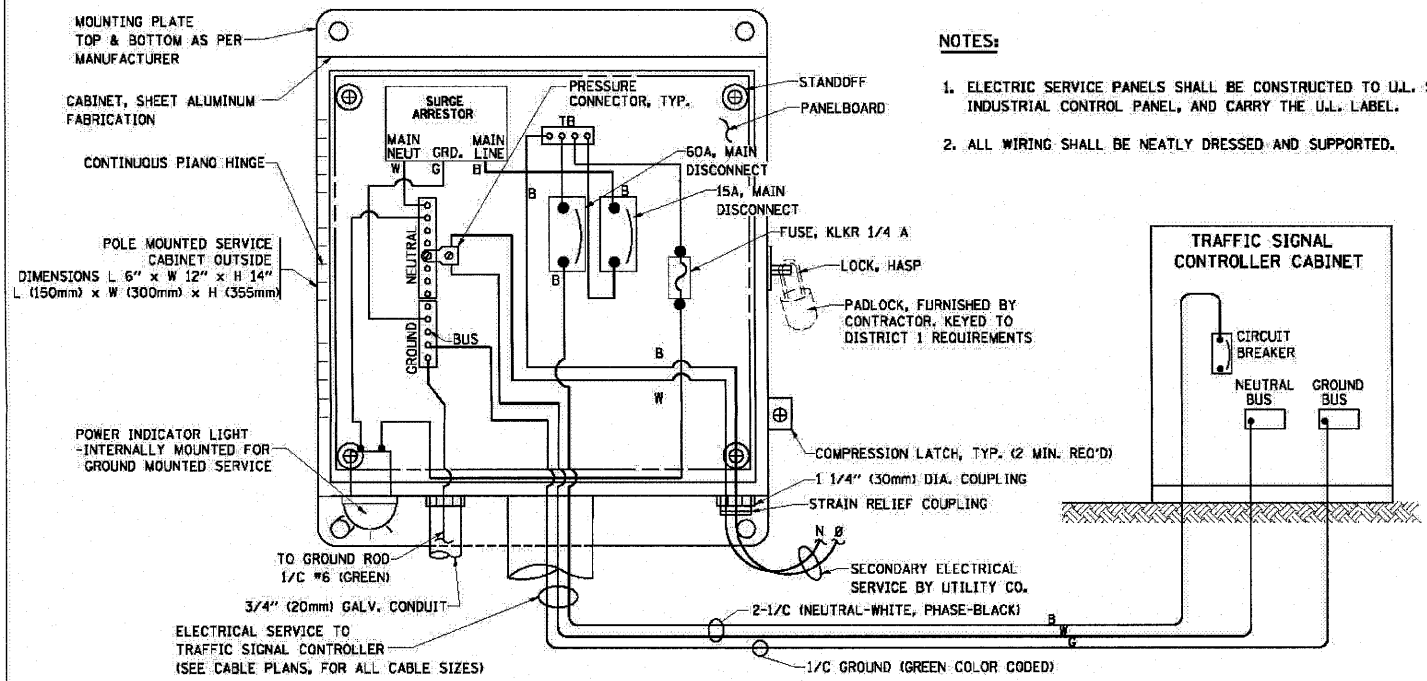
1. PEDESTRIAN SIGNAL HEADS SHALL BE MOUNTED WITH THE BOTTOM OF THE SIGNAL HOUSING INCLUDING BRACKETS NOT LESS THAN 8 FT (2.4 m) OR MORE THAN 10 FT (3 m) ABOVE SIDEWALK LEVEL, AND SHALL BE POSITIONED AND ADJUSTED TO PROVIDE MAXIMUM VISIBILITY AT THE BEGINNING OF THE CONTROLLED CROSSWALK.
2. THE BOTTOM OF THE SIGNAL HOUSING (INCLUDING BRACKETS) OF A VEHICULAR SIGNAL FACE THAT IS NOT LOCATED OVER A HIGHWAY SHALL BE AT LEAST 8 FT (2.4 m) BUT NOT MORE THAN 19 FT (5.8 m) ABOVE THE SIDEWALK OR, IF THERE IS NO SIDEWALK, ABOVE THE PAVEMENT GRADE AT THE CENTER OF THE ROADWAY.
3. THE BOTTOM OF THE SIGNAL HOUSING AND ANY RELATED ATTACHMENTS TO A SIGNAL FACE LOCATED OVER ANY PORTION OF A HIGHWAY SHALL BE ACCORDING TO CURRENT STATE STANDARDS 877001, 877002, 877006, 877011 AND 877012 WITH A MINIMUM OF 16 FT (5.0 m) AND A MAXIMUM OF 18 FT. (5.5 m) FROM THE HIGHEST POINT OF PAVEMENT.
4. THE BOTTOM OF THE TEMPORARY SPAN WIRE MOUNTED SIGNAL HOUSING AND ANY RELATED ATTACHMENTS TO A SIGNAL FACE LOCATED OVER ANY PORTION OF A HIGHWAY SHALL BE ACCORDING TO CURRENT STATE STANDARD 880001 WITH A MINIMUM OF 17 FT (5.18 m) FROM THE HIGHEST POINT OF PAVEMENT.
5. THE TOP OF THE SIGNAL HOUSING OF A SIGNAL FACE LOCATED OVER ANY PORTION OF A HIGHWAY SHALL NOT BE MORE THAN 25.6 FT (7.8 m) ABOVE THE PAVEMENT.

TRAFFIC SIGNAL EQUIPMENT OFFSET

TRAFFIC SIGNAL EQUIPMENT	COMBINATION CONCRETE CURB AND GUTTER (MINIMUM DISTANCE FROM BACK OF CURB TO CENTERLINE OF FOUNDATION)	SHOULDER/NON-CURBED AREA (MINIMUM DISTANCE FROM EDGE OF PAVEMENT TO CENTERLINE OF FOUNDATION)
TRAFFIC SIGNAL MAST ARM POLE	6 FT (1.8m)	SHOULDER WIDTH + 2 FT (0.6m), MINIMUM 10 FT (3.0m)
TRAFFIC SIGNAL POST	4 FT (1.2m)	SHOULDER WIDTH + 2 FT (0.6m), MINIMUM 10 FT (3.0m)
PEDESTRIAN SIGNAL POST	4 FT (1.2m)	SHOULDER WIDTH + 2 FT (0.6m), MINIMUM 10 FT (3.0m)
PEDESTRIAN PUSHBUTTON POST	4 FT (1.2m)	SHOULDER WIDTH + 2 FT (0.6m), MINIMUM 10 FT (3.0m)
TEMPORARY WOOD POLE	6 FT (1.8m)	SHOULDER WIDTH + 2 FT (0.6m), MINIMUM 10 FT (3.0m)
CONTROLLER CABINET	6 FT (1.8m) MINIMUM DISTANCE SEE NOTE 2	SHOULDER WIDTH + 6 FT (1.8m), MINIMUM 16 FT (4.9m) SEE NOTE 3.
SERVICE INSTALLATION, GROUND MOUNT	6 FT (1.8m) MINIMUM DISTANCE SEE NOTE 2	SHOULDER WIDTH + 6 FT (1.8m), MINIMUM 16 FT (4.9m) SEE NOTE 3.

NOTES:

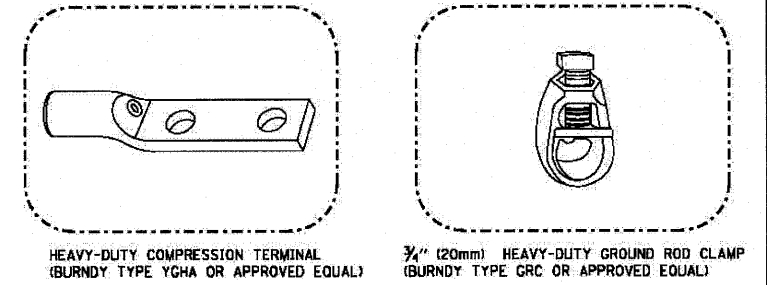
1. CONTACT THE "AREA TRAFFIC SIGNAL MAINTENANCE AND OPERATIONS ENGINEER" FOR ASSISTANCE IN LOCATING THE TRAFFIC SIGNAL EQUIPMENT WHEN THERE ARE CONFLICTS WITH DITCHES OR THE MINIMUM OFFSET DISTANCES CANNOT BE MET.
2. MINIMUM DISTANCE FROM THE BACK OF CURB TO THE ROADWAY SIDE OF THE FOUNDATION.
3. MINIMUM DISTANCE FROM THE EDGE OF PAVEMENT TO THE ROADWAY SIDE OF THE FOUNDATION.
4. ANY CHANGES TO THE OFFSETS OF THE FOUNDATIONS, FROM THE MINIMUM DISTANCES LISTED IN THE "TRAFFIC SIGNAL EQUIPMENT OFFSET" CHART AND THE TRAFFIC SIGNAL INSTALLATION PLAN, COULD EFFECT THE PLACEMENT OF THE SIGNAL HEADS, PEDESTRIAN SIGNAL HEADS AND THE PEDESTRIAN PUSHBUTTONS. THE SIGNAL HEAD PLACEMENT ON THE MAST ARMS SHALL REMAIN AS PER THE TRAFFIC SIGNAL INSTALLATION PLAN AND THE "TRAFFIC SIGNAL MAST ARM AND SIGNAL POST" DETAIL ABOVE. THE PROPOSED MAST ARM LENGTHS MAY NEED TO BE REVISED TO MEET THE ABOVE REQUIREMENTS. THE PEDESTRIAN SIGNAL HEADS AND PEDESTRIAN PUSHBUTTONS MUST MEET THE REQUIREMENTS UNDER THE DETAILS ON THIS SHEET.



NOTES:

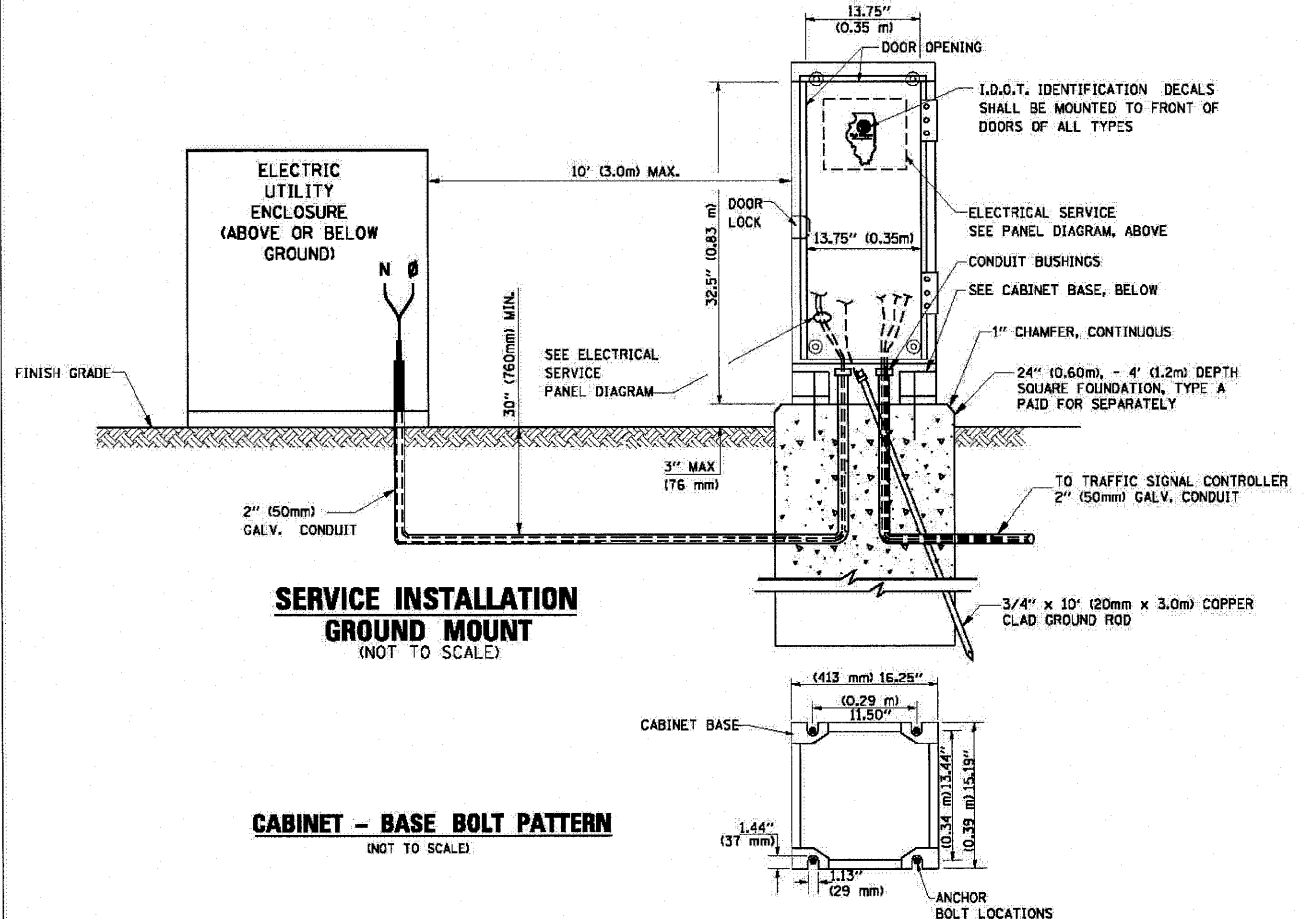
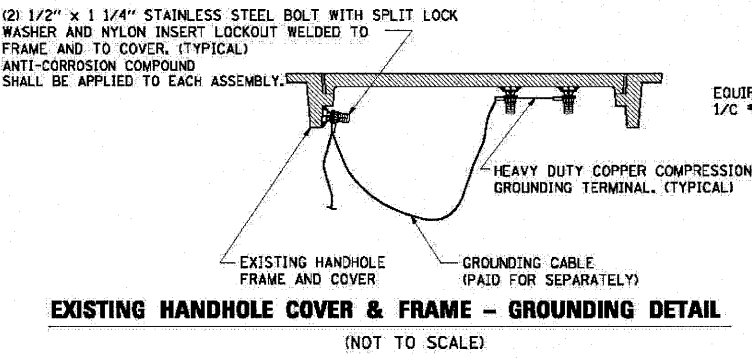
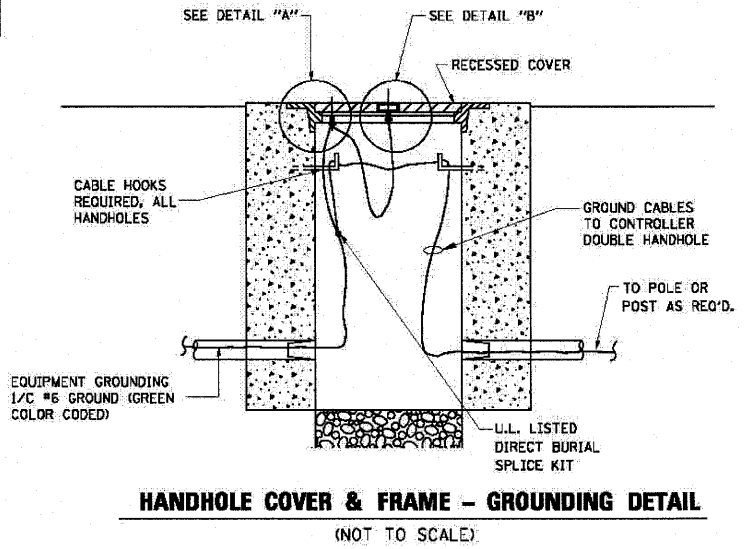
GROUNDING SYSTEM

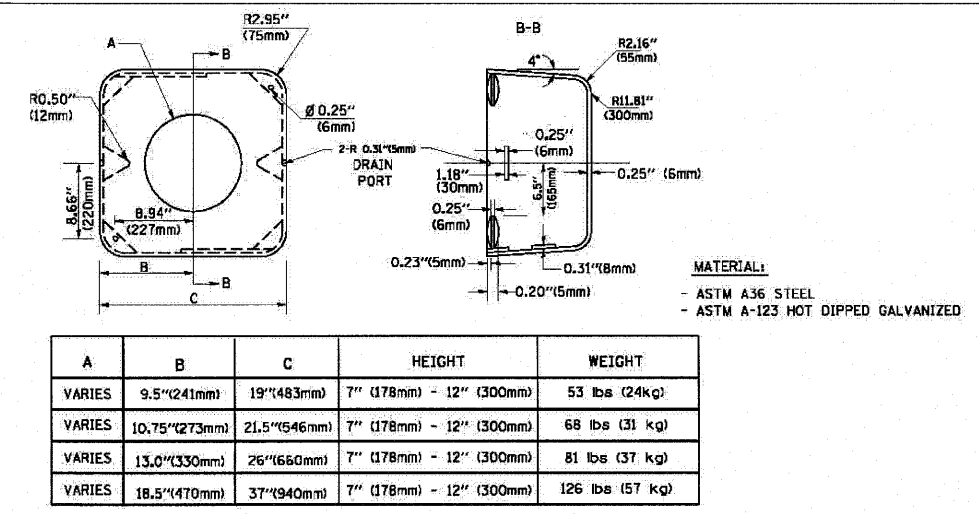
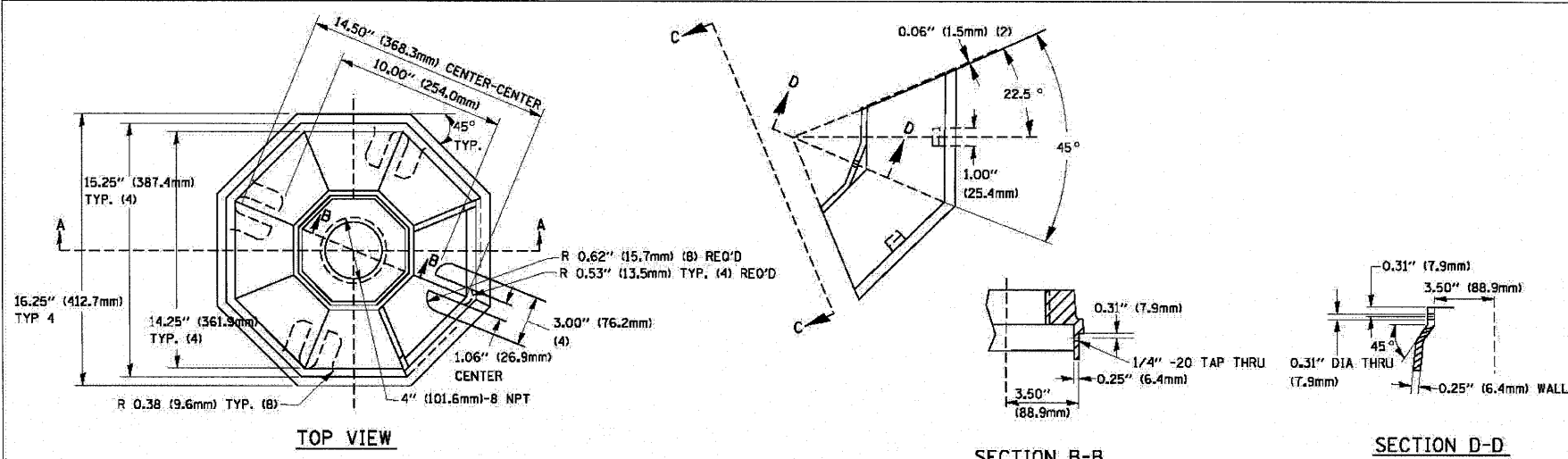
1. THE GROUNDING SYSTEM SHALL CONSIST OF AN INSULATED CONDUCTOR TYPE XLP, NO. 6 A.W.G., STRANDED COPPER TO BE INSTALLED IN RACEWAYS. THE GROUNDING CABLE SHALL BE INSTALLED IN A CONTINUOUS MANNER AS SHOWN ON THE CABLE PLAN PROVIDED. ALL GROUNDING CONDUCTORS SHALL BE BONDED TO METAL ENCLOSURE (HANDHOLE, POST, MAST ARM, CONTROLLER, ETC.). GROUND ROD SHALL BE 3/4" DIA. x 10'-0" (20mm x 3.0m) LONG, COPPER CLAD. ONE GROUND ROD SHALL BE INSTALLED AT ALL POST FOUNDATIONS, POLE FOUNDATIONS, CONTROLLER CABINET FOUNDATION AND ELECTRICAL SERVICE INSTALLATION AS INDICATED ON THE CABLE PLAN. IF THERE ARE ANY SPECIAL CONDITIONS SUCH AS SUB-SURFACE CONDITIONS OR INSTALLATION PROBLEMS, THE RESIDENT ENGINEER SHALL BE NOTIFIED OR CONTACT THE BUREAU OF TRAFFIC, ILLINOIS DEPARTMENT OF TRANSPORTATION DISTRICT ONE AT (847) 705-4139.
2. THE NEUTRAL CONDUCTOR AND THE GROUND CONDUCTOR SHALL BE CONNECTED IN THE SERVICE INSTALLATION. AT NO OTHER POINT IN THE TRAFFIC SIGNAL SYSTEM SHALL THE NEUTRAL AND GROUND CONDUCTORS BE CONNECTED.
3. ALL EQUIPMENT GROUNDING CONDUCTORS SHALL TERMINATE AT THE GROUND BUS IN THE CONTROLLER CABINET.
4. THE CONTRACTOR SHALL PROVIDE A GROUND CABLE WITH CONNECTORS BETWEEN THE HANDHOLE COVER AND HANDHOLE FRAME.



NOTES:

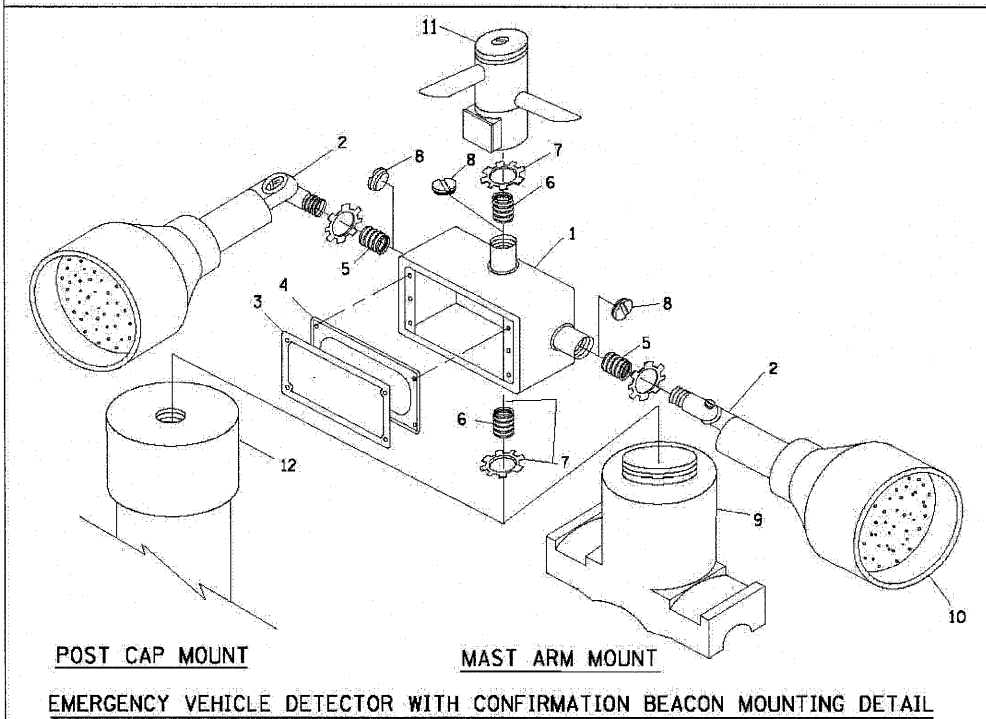
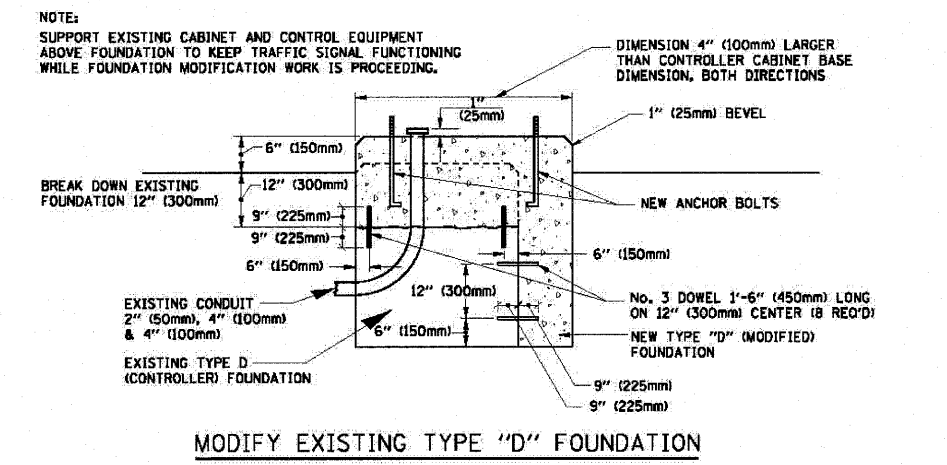
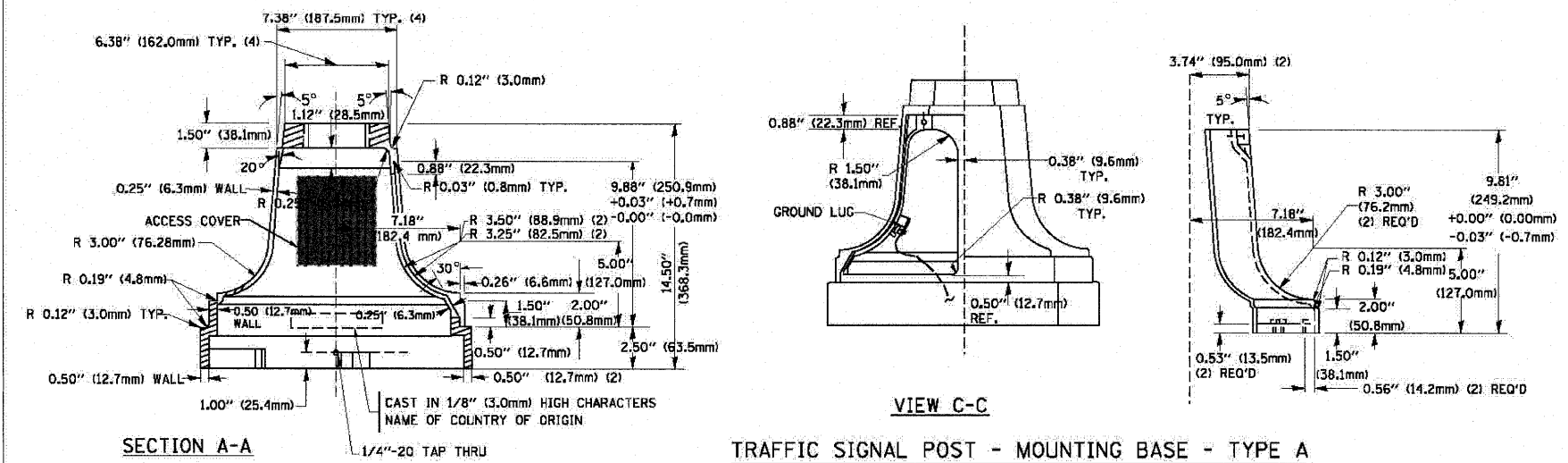
- ALL CLAMPS SHALL BE BRONZE OR COPPER, UL APPROVED.
- GROUND CABLE SHALL BE LOOPED OVER HOOKS IN THE HANDHOLES 6.5' (2.0m) SLACK SHALL BE PROVIDED IN SINGLE HANDHOLES 13' (4.0m) OF SLACK SHALL BE PROVIDED IN DOUBLE HANDHOLES, 5' (1.4m) OF SLACK SHALL BE PROVIDED BETWEEN FRAME AND COVER.





NOTES:

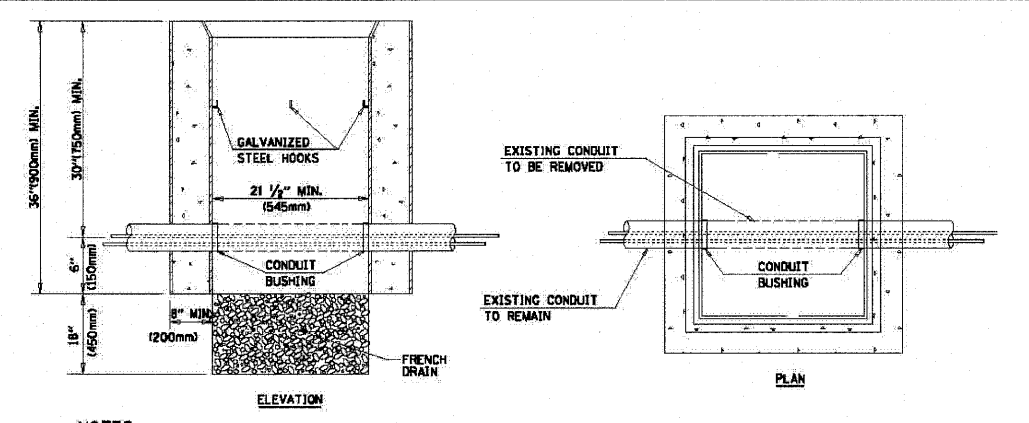
- DIMENSION "A" IS EQUAL TO THE DIAMETER OF THE MAST ARM POLE AT THE TOP OF THE SHROUD. THE SHROUD SHALL BE TIGHT TO THE MAST ARM POLE.
- THE SUPPLIER SHALL VERIFY THE ABOVE DIMENSIONS BASED ON MAST ARM REQUIREMENTS.
- THE HEIGHT OF THE SHROUD SHALL COVER THE ANCHOR BOLTS, NUTS AND MAST ARM POLE BASE.



ITEM NO.	IDENTIFICATION
1	OUTLET BOX- GALV. 21 CU.IN. (0.000344 CU-M)
2	LAMP HOLDER AND COVER
3	OUTLET BOX COVER
4	RUBBER COVER GASKET
5	REDUCING BUSHING
6	3/4" (19 mm) CLOSE NIPPLE
7	3/4" (19 mm) LOCKNUT
8	3/4" (19 mm) HOLE PLUG
9	SADDLE BRACKET - GALV.
10	6 WATT PAR 38 LED FLOOD LAMP
11	DETECTOR UNIT
12	POST CAP [18 FT. (5.4 m) POST MIN.]

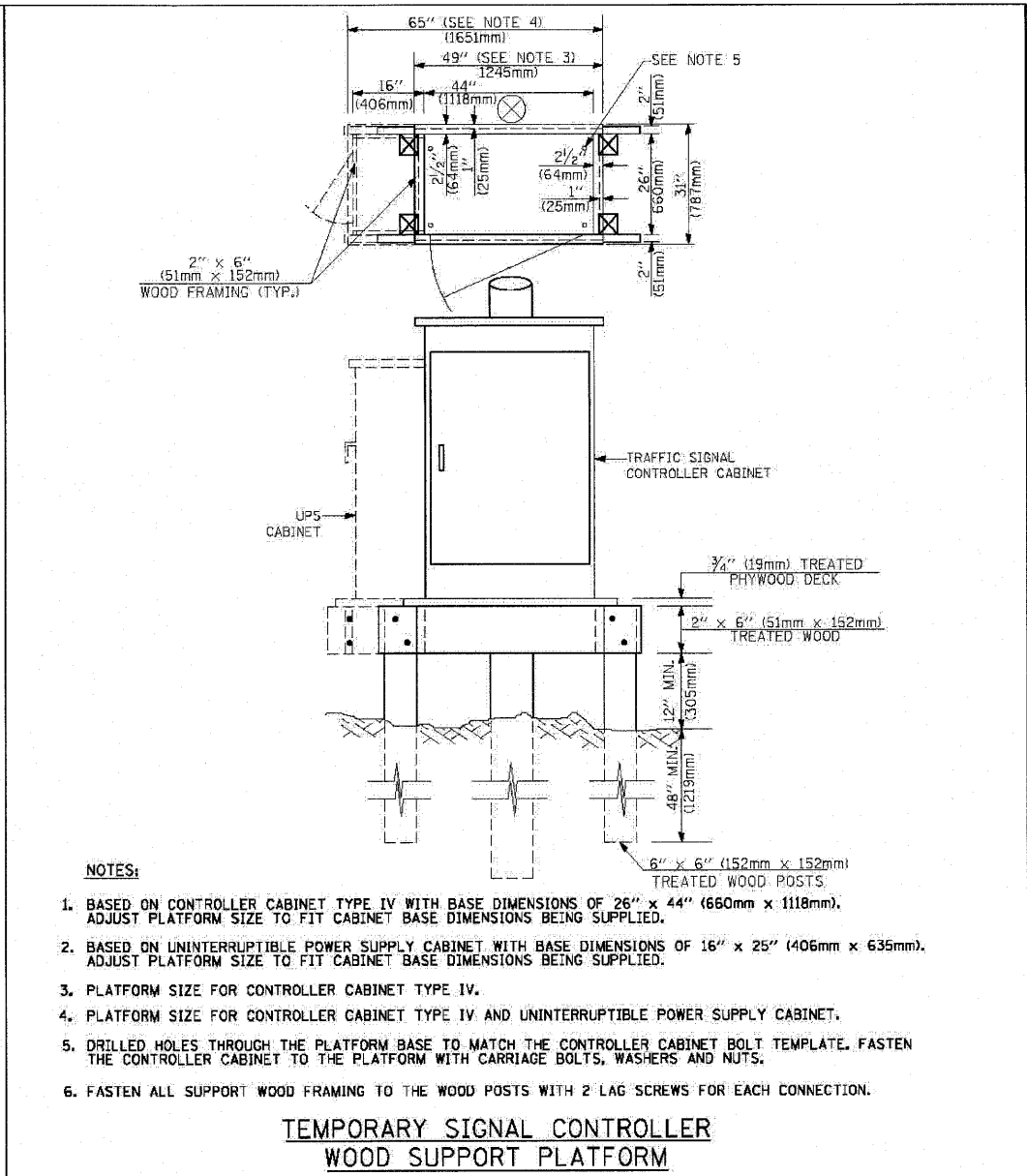
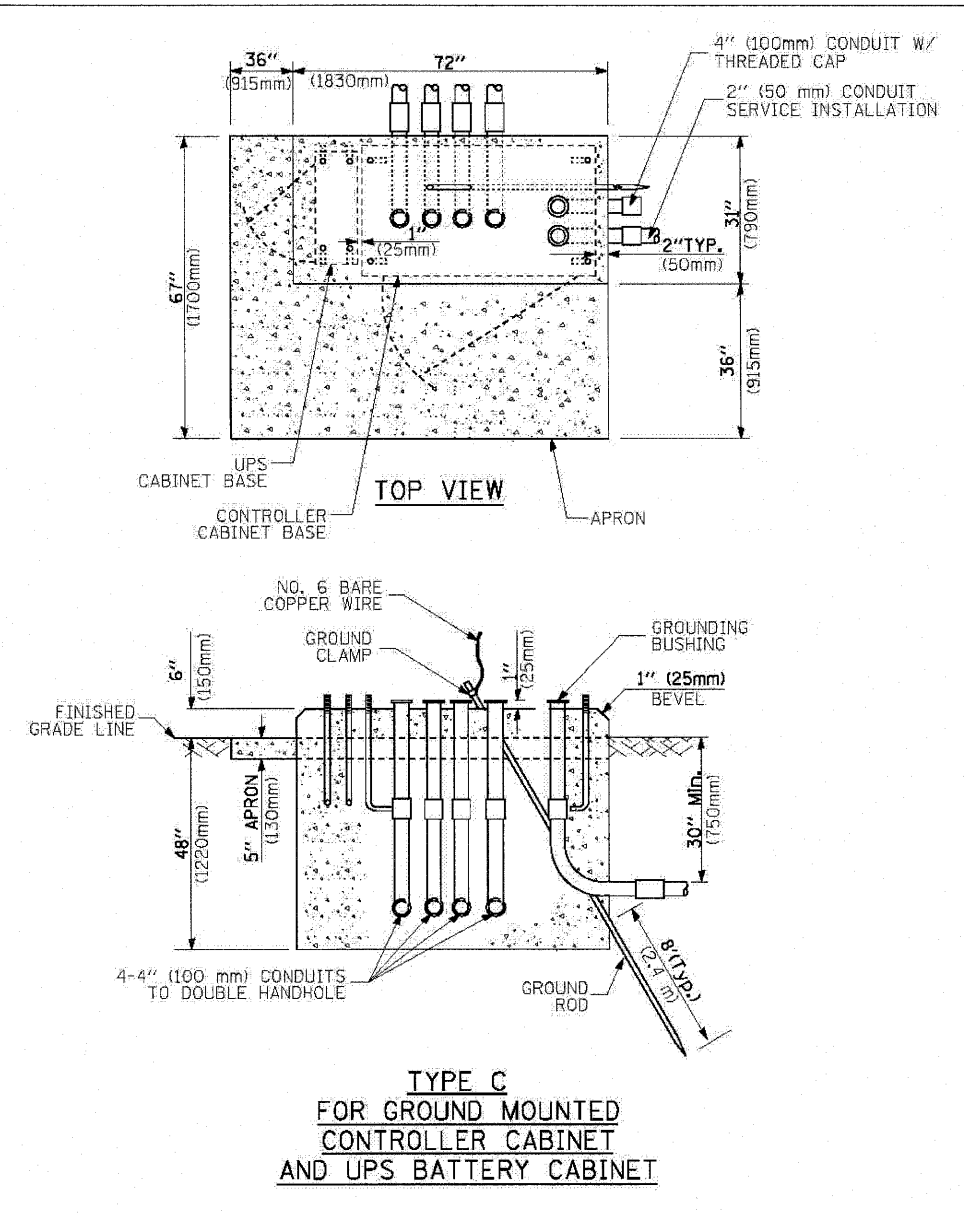
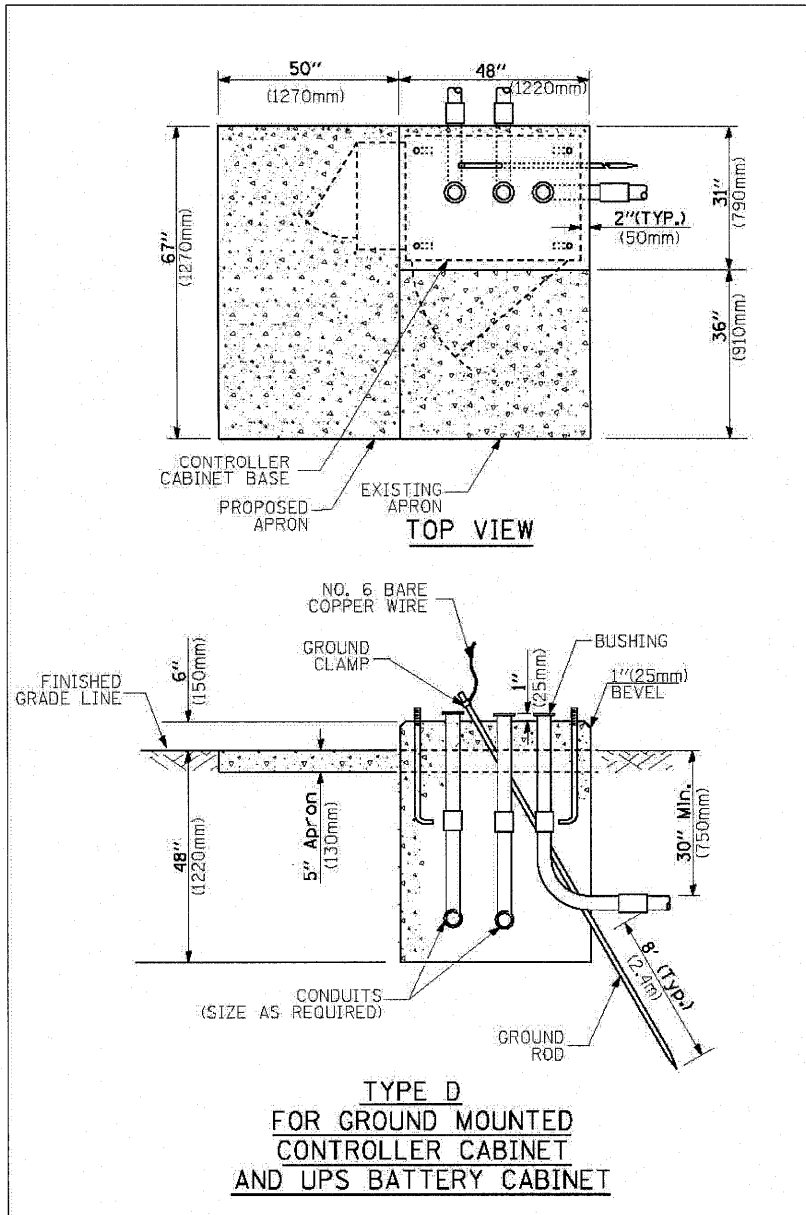
NOTES:

- ALL ELECTRICAL ITEMS, EXCEPT ITEMS *2 AND *11 SHALL BE ALUMINUM OR GALVANIZED
- ITEM *1- OZ/GEDNEY FSX-1-50 OR EQUIVALENT
ITEM *2- MULBERRY CON-O-SHADE LAMP SHIELD OR EQUIVALENT
ITEM *9- "BAND-IT" SADDLE BRACKET OR EQUIVALENT
- WHEN POST MOUNTING IS SPECIFIED, ITEM *9 SHALL NOT BE REQUIRED. THE DETECTION UNIT SHALL BE MOUNTED DIRECTLY ON TOP OF THE CAP BY DRILLING AND TAPPING A 3/4" (19 mm) HOLE WITH PIPE THREADS. THE POST CAP SHALL EITHER BE SCREWED TO THE TOP OF THE POST OR A MINIMUM OF 3 TIGHTENING SCREWS SHALL BE REQUIRED ON EACH CAP.



NOTES:

- HANDHOLE CONSTRUCTED PER STATE STANDARD 814001.
- REMOVAL OF THE EXISTING CONDUIT FROM THE HANDHOLE AND THE INSTALLATION OF THE CONDUIT BUSHINGS SHALL BE INCIDENTAL TO THE HANDHOLE.



- NOTES:**
1. BASED ON CONTROLLER CABINET TYPE IV WITH BASE DIMENSIONS OF 26" x 44" (660mm x 1118mm). ADJUST PLATFORM SIZE TO FIT CABINET BASE DIMENSIONS BEING SUPPLIED.
 2. BASED ON UNINTERRUPTIBLE POWER SUPPLY CABINET WITH BASE DIMENSIONS OF 16" x 25" (406mm x 635mm). ADJUST PLATFORM SIZE TO FIT CABINET BASE DIMENSIONS BEING SUPPLIED.
 3. PLATFORM SIZE FOR CONTROLLER CABINET TYPE IV.
 4. PLATFORM SIZE FOR CONTROLLER CABINET TYPE IV AND UNINTERRUPTIBLE POWER SUPPLY CABINET.
 5. DRILLED HOLES THROUGH THE PLATFORM BASE TO MATCH THE CONTROLLER CABINET BOLT TEMPLATE. FASTEN THE CONTROLLER CABINET TO THE PLATFORM WITH CARRIAGE BOLTS, WASHERS AND NUTS.
 6. FASTEN ALL SUPPORT WOOD FRAMING TO THE WOOD POSTS WITH 2 LAG SCREWS FOR EACH CONNECTION.

CABLE SLACK LENGTH	FEET	METER
HANDHOLE	6.5	2.0
DOUBLE HANDHOLE	13.0	4.0
SIGNAL POST	2.0	0.6
MAST ARM	2.0	0.6
CONTROLLER CABINET	1.5	0.5
FIBER OPTIC AT CABINET	13.0	4.0
ELECTRIC SERVICE AT (CABINET OR SERVICE LOCATION)	1.5	0.5
GROUND CABLE (SIGNAL POST, MAST ARM, CABINET)	1.5	0.5
GROUND CABLE (BETWEEN FRAME AND COVER)	5.0	1.6

CABLE SLACK

VERTICAL CABLE LENGTH	FEET	METER
MAST ARM POLE (MAST ARM MOUNTED SIGNAL HEAD) (L = MAST ARM LENGTH - DISTANCE TO SIGNAL HEAD FROM END OF ARM)	20.0+L	6.0+L
BRACKET MOUNTED (MAST ARM POLE OR SIGNAL POLE)	13.0	4.0
PEDESTRIAN PUSH BUTTON	6.0	2.0
SERVICE INSTALLATION POLE MOUNT TO SERVICE DROP	13.5	4.1
SERVICE INSTALLATION POLE MOUNT TO GROUND	13.5	4.1
SERVICE INSTALLATION GROUND MOUNT	6.0	2.0
FOUNDATION (SIGNAL POST, MAST ARM POLE, CONTROLLER CABINET, SERVICE-GROUND MOUNT)	3.0	1.0

VERTICAL CABLE LENGTH

FOUNDATION	DEPTH
TYPE A - Signal Post	4'-0" (1.2m)
TYPE C - CONTROLLER W/ UPS	4'-0" (1.2m)
TYPE D - CONTROLLER	4'-0" (1.2m)
SERVICE INSTALLATION, GROUND MOUNT, TYPE A - SQUARE	4'-0" (1.2m)

DEPTH OF FOUNDATION

Mast Arm Length	① Foundation Depth	Foundation Diameter	Spiral Diameter	Quantity of Rebars	Size of Rebars
Less than 30' (9.1 m)	10'-0" (3.0 m)	30" (750mm)	24" (600mm)	8	6(19)
Greater than or equal to 30' (9.1 m) and less than 40' (12.2 m)	13'-6" (4.1 m)	30" (750mm)	24" (600mm)	8	6(19)
Greater than or equal to 40' (12.2 m) and less than 50' (15.2 m)	11'-0" (3.4 m)	36" (900mm)	30" (750mm)	12	7(22)
Greater than or equal to 50' (15.2 m) and up to 55' (16.8 m)	13'-0" (4.0 m)	36" (900mm)	30" (750mm)	12	7(22)
Greater than or equal to 55' (16.8 m) and up to 56' (16.8 m)	15'-0" (4.6 m)	36" (900mm)	30" (750mm)	12	7(22)
Greater than or equal to 56' (16.8 m) and less than 65' (19.8 m)	21'-0" (6.4 m)	42" (1060mm)	36" (900mm)	16	8(25)
Greater than or equal to 65' (19.8 m) and up to 75' (22.9 m)	25'-0" (7.6 m)	42" (1060mm)	36" (900mm)	16	8(25)

- NOTES:**
1. These foundation depths are for sites which have cohesive soils (clayey silt, sandy clay, etc.) along the length of the shaft, with an average Unconfined Compressive Strength (qu) > 1.0 tsf (100 kpa). This strength shall be verified by boring data prior to construction or with testing by the Engineer during foundation drilling. The Bureau of Bridges & Structures should be contacted for a revised design if other conditions are encountered.
 2. Combination mast arm assemblies under 55 feet (16.8 m) shall use 36" (900 mm) diameter foundations.
 3. Combination mast arm assemblies under 56 feet (16.8 m) through 75 feet (22.9 m) shall use 42" (1060 mm) diameter foundations.
 4. For mast arm assemblies with dual arms refer to state standard 878001.

DEPTH OF MAST ARM FOUNDATIONS, TYPE E

TRAFFIC SIGNAL LEGEND

ITEM	REMOVAL	EXISTING	PROPOSED	ITEM	REMOVAL	EXISTING	PROPOSED	ITEM	REMOVAL	EXISTING	PROPOSED
CONTROLLER CABINET				EMERGENCY VEHICLE LIGHT DETECTOR				ELECTRICAL CABLE IN CONDUIT, TRACER, NO. 14 1/C. UNLESS NOTED OTHERWISE			
RAILROAD CONTROL CABINET				CONFIRMATION BEACON				COAXIAL CABLE			
COMMUNICATIONS CABINET				HANDHOLE				VENDOR CABLE FOR CAMERA			
MASTER CONTROLLER				HEAVY DUTY HANDHOLE				COPPER INTERCONNECT CABLE, NO. 18 3 PAIR TWISTED, SHIELDED			
MASTER MASTER CONTROLLER				DOUBLE HANDHOLE				FIBER OPTIC CABLE NO. 62.5/125, MM12F			
UNINTERRUPTIBLE POWER SUPPLY				JUNCTION BOX				FIBER OPTIC CABLE NO. 62.5/125, MM12F SM12F			
SERVICE INSTALLATION, (P) POLE OR (G) GROUND MOUNT				GALVANIZED STEEL CONDUIT IN TRENCH (T) OR PUSHED (P)				FIBER OPTIC CABLE NO. 62.5/125, MM12F SM12F			
TELEPHONE CONNECTION (P) POLE OF (G) GROUND MOUNT				TEMPORARY SPAN WIRE, TETHER WIRE, AND CABLE				FIBER OPTIC CABLE NO. 62.5/125, (NUMBER OF FIBERS & TYPE TO BE NOTED ON PLANS)			
STEEL MAST ARM ASSEMBLY AND POLE				COMMON TRENCH				GROUND ROD AT (C) cONTROLLER, (H) HANDHOLE, (P) POST, (M) MAST ARM, OR (S) SERVICE			
ALUMINUM MAST ARM ASSEMBLY AND POLE				COILABLE NONMETALLIC CONDUIT (EMPTY)				CONTROLLER CABINET AND FOUNDATION TO BE REMOVE			
STEEL COMBINATION MAST ARM ASSEMBLY AND POLE WITH LUMINAIRE				SYSTEM ITEM				STEEL MAST ARM POLE AND FOUNDATION TO BE REMOVE			
STEEL COMBINATION MAST ARM ASSEMBLY AND POLE WITH PTZ CAMERA				INTERSECTION ITEM				ALUMINUM MAST ARM POLE AND FOUNDATION TO BE REMOVE			
SIGNAL POST				REMOVE ITEM				STEEL COMBINATION MAST ARM ASSEMBLY AND POLE WITH LUMINAIRE AND FOUNDATION TO BE REMOVE			
TEMPORARY WOOD POLE (CLASS 5 OR BETTER) 45 FOOT (13.7m) MINIMUM				ABANDON ITEM				SIGNAL POST AND FOUNDATION TO BE REMOVE			
GUY WIRE				12" (300mm) TRAFFIC SIGNAL SECTION				INTERSECTION & SAMPLING (SYSTEM) DETECTOR			
SIGNAL HEAD				12" (300mm) RED WITH 8" (200mm) YELLOW AND GREEN TRAFFIC SIGNAL FACE				SAMPLING SYSTEM DETECTOR			
SIGNAL HEAD CONSTRUCTION STAGES (NUMBERS INDICATE THE CONSTRUCTION STAGE)				SIGNAL FACE				EXISTING INTERSECTION LOOP DETECTOR PROPOSED INTERSECTION AND SAMPLING (SYSTEM) DETECTOR			
SIGNAL HEAD WITH BACKPLATE				SIGNAL FACE WITH BACKPLATE. "P" INDICATES PROGRAMMED HEAD				EXISTING PREFORMED INTERSECTION LOOP DETECTOR PROPOSED INTERSECTION AND SAMPLING (SYSTEM) DETECTOR			
SIGNAL HEAD OPTICALLY PROGRAMMED				12" (300mm) PEDESTRIAN SIGNAL HEAD WALK/DON'T WALK SYMBOL				PREFORMED INTERSECTION AND SAMPLING (SYSTEM) DETECTOR			
FLASHER INSTALLATION (S DENOTES SOLAR POWER)				12" (300mm) PEDESTRIAN SIGNAL HEAD INTERNATIONAL SYMBOL, OUTLINED				RAILROAD CONTROL CABINET			
PEDESTRIAN SIGNAL HEAD				12" (300mm) PEDESTRIAN SIGNAL HEAD INTERNATIONAL SYMBOL, SOLID				RAILROAD CANTILEVER MAST ARM			
PEDESTRIAN PUSHBUTTON DETECTOR				PEDESTRIAN SIGNAL HEAD, INTERNATIONAL SYMBOL, WITH COUNTDOWN TIMER				FLASHING SIGNAL			
ACCESSIBLE PEDESTRIAN PUSHBUTTON DETECTOR				RADIO INTERCONNECT				CROSSING GATE			
ILLUMINATED SIGN "NO LEFT TURN"				RADIO REPEATER				CROSSBUCK			
ILLUMINATED SIGN "NO RIGHT TURN"				DENOTES NUMBER OF CONDUCTORS, ELECTRIC CABLE NO. 14, UNLESS NOTED OTHERWISE, ALL DETECTOR LOOP CABLE TO BE SHIELDED							
DETECTOR LOOP, TYPE I				GROUND CABLE IN CONDUIT NO. 6 SOLID COPPER (GREEN)							
PREFORMED DETECTOR LOOP											
MICROWAVE VEHICLE SENSOR											
VIDEO DETECTION CAMERA											
VIDEO DETECTION ZONE											
PAN, TILT, ZOOM CAMERA											
WIRELESS DETECTOR SENSOR											
WIRELESS ACCESS POINT											

RAILROAD SYMBOLS

RAILROAD CONTROL CABINET		
RAILROAD CANTILEVER MAST ARM		
FLASHING SIGNAL		
CROSSING GATE		
CROSSBUCK		

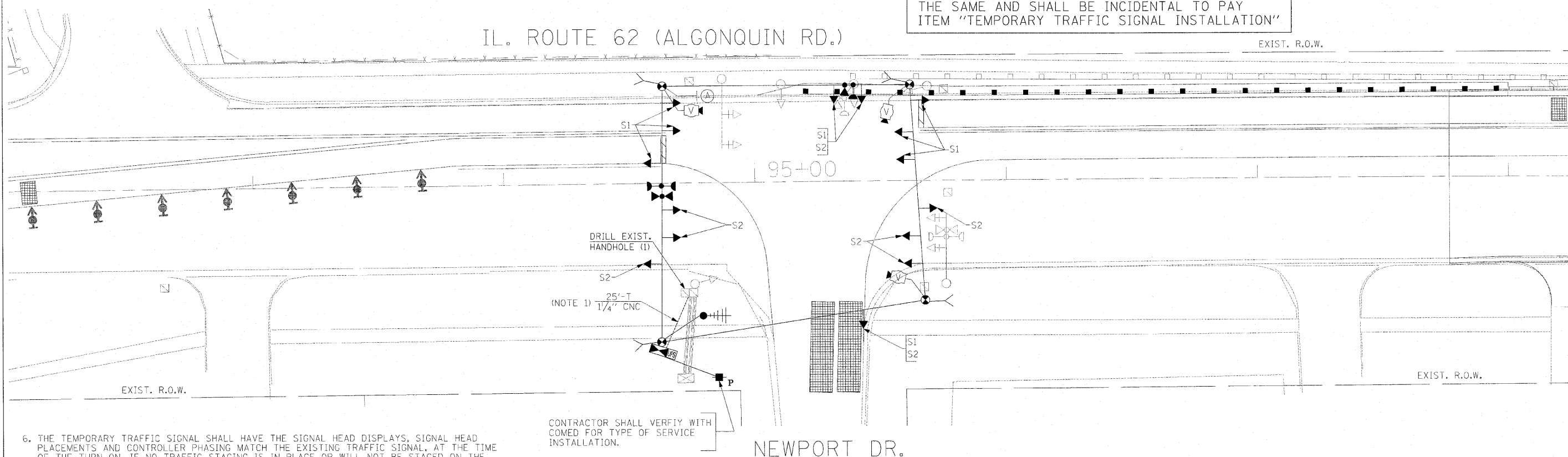
NOTES FOR TEMPORARY TRAFFIC SIGNALS

1. ALL CONTROL EQUIPMENT INCLUDING EMERGENCY PRE-EMPTION AND COMMUNICATION DEVICES FOR THE TEMPORARY TRAFFIC SIGNAL(S) SHALL BE FURNISHED BY THE CONTRACTOR.
2. ONLY CONTROLLERS SUPPLIED BY ONE OF THE DISTRICT APPROVED CLOSED LOOP EQUIPMENT MANUFACTURERS WILL BE APPROVED FOR USE AT TEMPORARY SIGNAL LOCATIONS. ALL CONTROLLERS USED FOR TEMPORARY TRAFFIC SIGNALS SHALL BE FULLY ACTUATED NEMA MICROPROCESSOR BASED WITH RS232 DATA ENTRY PORTS COMPATIBLE WITH EXISTING MONITORING SOFTWARE APPROVED BY IDOT DISTRICT 1. INSTALLED IN A NEMA TS2 CABINET. ONLY ONE BRAND OF CONTROLLER WILL BE ACCEPTED FOR ANY ONE CONTRACT.
3. ALL TRAFFIC SIGNAL SECTIONS AND PEDESTRIAN SIGNAL SECTIONS SHALL BE LED AND 12" (300mm) DIAMETER. HEADS SHALL BE PLACED AS INDICATED ON THE TEMPORARY TRAFFIC SIGNAL PLAN OR AS DIRECTED BY THE ENGINEER. PEDESTRIAN SIGNALS SHALL INCLUDE SOLID INTERNATIONAL SYMBOLS. PEDESTRIAN SIGNALS WITH COUNTDOWN TIMERS SHALL BE USED WHEN THE EXISTING INSTALLATION UTILIZES COUNTDOWN TYPE OR AS DIRECTED BY THE ENGINEER. COUNTDOWN TYPE PEDESTRIAN SIGNALS ARE NOT TO BE INSTALLED AT A RAILROAD INTERSECTION. THE CONTRACTOR SHALL FURNISH ENOUGH CABLE SLACK TO RELOCATE HEADS TO ANY POSITION ON THE SPAN WIRE OR AT LOCATIONS ILLUSTRATED ON THE PLANS FOR CONSTRUCTION STAGING. THE TEMPORARY TRAFFIC SIGNAL SHALL REMAIN IN OPERATION DURING ALL SIGNAL HEAD RELOCATIONS. EACH TEMPORARY TRAFFIC SIGNAL HEAD SHALL HAVE ITS OWN CABLE FROM THE CONTROLLER CABINET TO THE SIGNAL HEAD.
4. ALL EXISTING STREET NAME AND INTERSECTION REGULATORY SIGNS SHALL BE REMOVED FROM EXISTING POLES, RELOCATED AND SECURELY FASTENED TO THE SPAN WIRE OR WOOD POLE AS DIRECTED BY THE ENGINEER.
5. ANY TEMPORARY SIGNAL WITHIN AN EXISTING CLOSED LOOP TRAFFIC SIGNAL SYSTEM SHALL BE INTERCONNECTED TO THAT SYSTEM USING SIMILAR BRAND CONTROL EQUIPMENT.

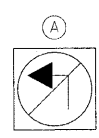
CONSTRUCTION NOTES:

- NOTE 1: INSTALL TEMPORARY INTERCONNECT CABLE NO. 62.5/125 12F BETWEEN THE EXISTING CONTROLLER CABINET AND THE TEMPORARY CONTROLLER CABINET. THIS WORK IS INCIDENTAL TO THE PAY ITEM "TEMPORARY TRAFFIC SIGNAL INSTALLATION".
- NOTE 2: THE SIGNAL HEAD PLACEMENT FOR ALL APPROACHES OF THE INTERSECTION IS FOR CONSTRUCTION STAGE 1 AND CONSTRUCTION STAGE 2 AND ARE SHOWN WITH S1 AND S2, NEXT TO THE SIGNAL HEAD.
- NOTE 3: THE VIDEO DETECTION ZONES SHOWN ON THE PLAN FOR ALL APPROACHES OF THE INTERSECTION ARE FOR CONSTRUCTION STAGE 1 AND SHALL BE REDEFINED FOR EACH CONSTRUCTION STAGE. THIS WORK IS INCIDENTAL TO THE PAY ITEM "TEMPORARY TRAFFIC SIGNAL INSTALLATION".

THE EXISTING TRAFFIC SIGNAL CONTROLLER SHALL BE DISABLED AND TRAFFIC SIGNAL HEADS SHALL BE BAGGED DURING THE TIME WHEN TEMPORARY TRAFFIC SIGNAL INSTALLATION IS IN OPERATION. NO EXTRA COMPENSATION SHALL BE ALLOWED FOR THE SAME AND SHALL BE INCIDENTAL TO PAY ITEM "TEMPORARY TRAFFIC SIGNAL INSTALLATION"



6. THE TEMPORARY TRAFFIC SIGNAL SHALL HAVE THE SIGNAL HEAD DISPLAYS, SIGNAL HEAD PLACEMENTS AND CONTROLLER PHASING MATCH THE EXISTING TRAFFIC SIGNAL. AT THE TIME OF THE TURN ON, IF NO TRAFFIC STAGING IS IN PLACE OR WILL NOT BE STAGED ON THE DAY OF THE TURN ON.
7. UNINTERRUPTIBLE POWER SUPPLY (UPS) SYSTEMS SHALL BE INSTALLED AND MADE OPERATIONAL AT TEMPORARY TRAFFIC SIGNAL INSTALLATIONS WHERE UPS IS INSTALLED AT THE EXISTING TRAFFIC SIGNAL, TEMPORARY TRAFFIC SIGNALS AT RAILROAD INTERSECTIONS, AND TEMPORARY TRAFFIC SIGNALS AT INTERSECTIONS WITH FIRE STATION ACTUATED EMERGENCY VEHICLE PRE-EMPTION, OR WHEN INDICATED ON THE PLANS.
8. TRAFFIC SIGNAL MANAGEMENT SYSTEMS SHALL BE MAINTAINED IN OPERATION AS INDICATED ON THE PLANS OR AS DIRECTED BY THE ENGINEER. REQUIRED EQUIPMENT SHALL BE AS SHOWN ON THE PLANS AND THE CONTRACTOR SHALL PLACE THE EQUIPMENT IN OPERATION TO THE SATISFACTION OF THE ENGINEER AND THE AGENCY RESPONSIBLE FOR THE TRAFFIC SIGNAL MANAGEMENT SYSTEM.
9. DETECTION AT TEMPORARY TRAFFIC SIGNALS SHALL BE INCLUDED FOR ALL APPROACHES OF THE INTERSECTION UNLESS INDICATED OTHERWISE ON THE PLANS. THE DETECTION SYSTEM MUST MEET THE SPECIFICATIONS OF DISTRICT 1 AND THE CONTRACTOR SHALL PLACE THE DETECTORS INTO OPERATION TO THE SATISFACTION OF THE ENGINEER.
10. WHEN PAN, TILT, ZOOM CAMERAS ARE INSTALLED AT THE EXISTING INTERSECTION OR ARE CALLED FOR IN THE PLANS, THE CONTRACTOR SHALL BE RESPONSIBLE FOR INSTALLING AND MAINTAINING THE CAMERAS TO THE SATISFACTION OF THE ENGINEER AND THE AGENCY RESPONSIBLE FOR THE CAMERAS.



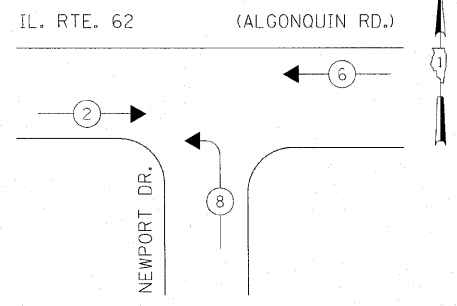
ILLUMINATED SIGN, L.E.D.
"NO LEFT TURN"
(INCIDENTAL TO TEMPORARY SIGNAL INSTALLATION)

THIS SIGN SHALL BE RELOCATED IF NECESSARY, AS DIRECTED BY FIELD ENGINEER.

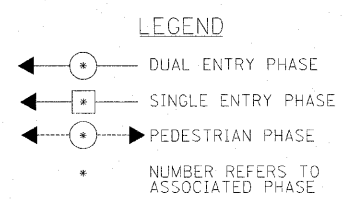
THE TRAFFIC SIGNAL CONTROL EQUIPMENT FOR THIS PROJECT SHALL BE "ECONOLITE" TO MATCH THE EXISTING ADJACENT SYSTEM.

FILE NAME =	USER NAME = #USER#	DESIGNED - PKG	REVISED -	STATE OF ILLINOIS DEPARTMENT OF TRANSPORTATION	TEMPORARY INTERSECTION PLAN IL. ROUTE 62 (ALGONQUIN ROAD) AT NEWPORT DR.			F.A.P RTE.	SECTION	COUNTY	TOTAL SHEETS	SHEET NO.
#FILE.#		DRAWN - MAA, EA	REVISED -		339	116-Y-2-BR-1	COOK	74	54			
	PLOT SCALE = #SCALE#	CHECKED - PKG	REVISED -		SCALE: 1"=20'				CONTRACT NO. 60J00			
	PLOT DATE = #DATE#	DATE - 6/23/2010	REVISED -		SHEET NO. OF SHEETS STA. TO STA.		ILLINOIS FED. AID PROJECT					

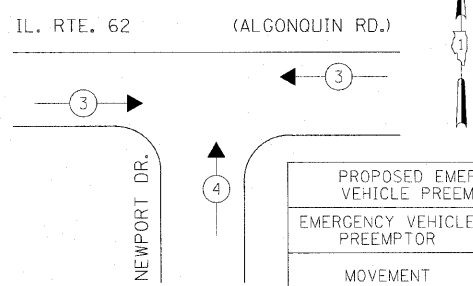
CONTROLLER SEQUENCE



TEMPORARY PHASE
DESIGNATION DIAGRAM
STAGES: STAGE 1 AND STAGE 2

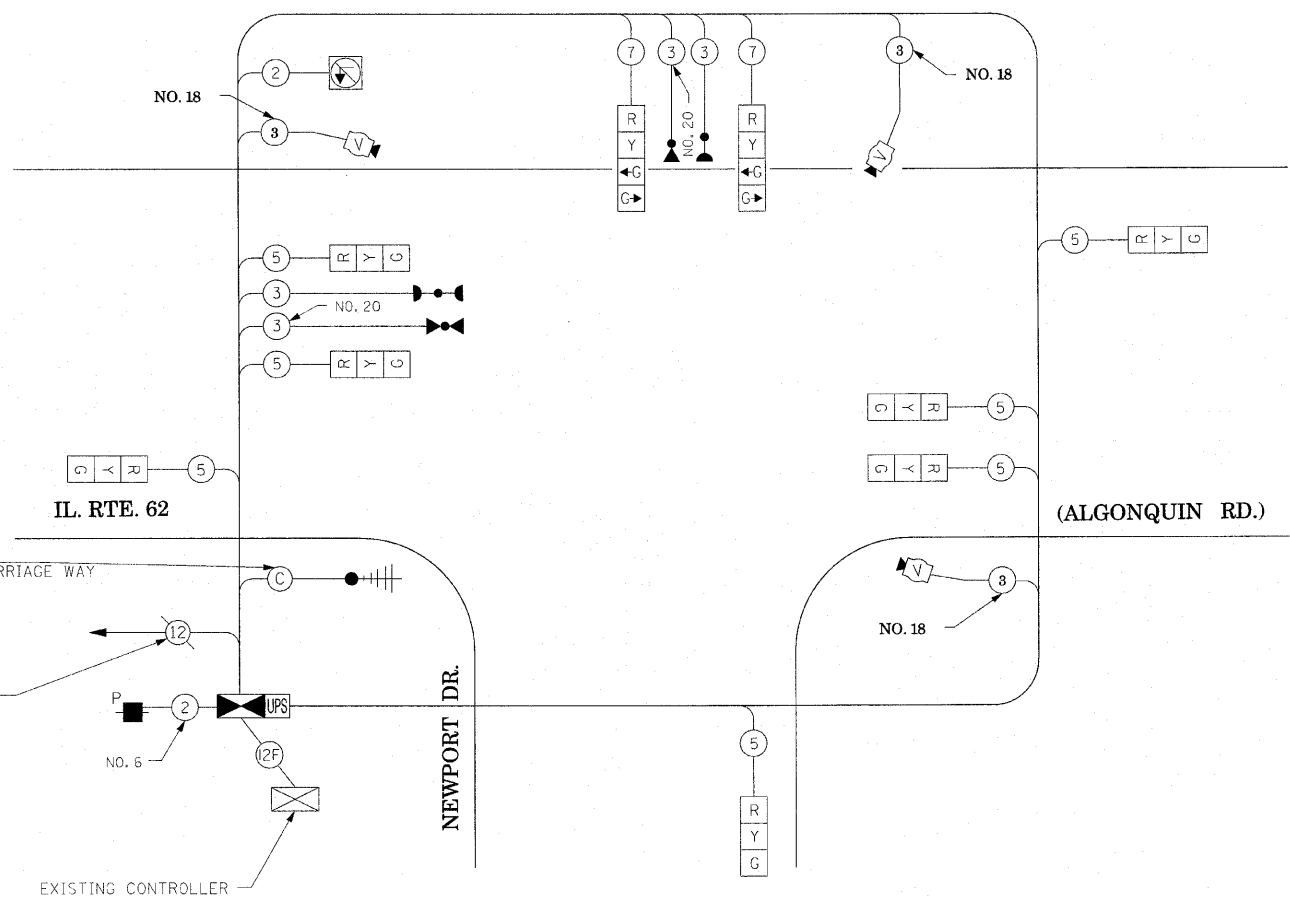


EMERGENCY VEHICLE PREEMPTION SEQUENCE



STAGES: STAGE 1 AND STAGE 2

PROPOSED EMERGENCY VEHICLE PREEMPTORS		
EMERGENCY VEHICLE PREEMPTOR	3	4
MOVEMENT	↔	↑



CABLE PLAN
(NOT TO SCALE)
STAGES: STAGE 1 AND STAGE 2

SCHEDULE OF QUANTITIES

QUANTITY	UNIT	ITEM
1	EACH	TEMPORARY TRAFFIC SIGNAL INSTALLATION
1	EACH	TEMPORARY TRAFFIC SIGNAL TIMING

I.D.O.T. TRAFFIC SIGNAL INSTALLATION ELECTRICAL SERVICE REQUIREMENTS					TOTAL WATTAGE
TYPE	NO LAMPS	WATTAGE		%OPERATION	
SIGNAL (RED)	9	135	17	0.50	76.50
	9	135	25	0.25	56.25
	11	135	15	0.25	41.25
ARROW		135	12	0.10	
PED. SIGNAL		90	25	1.00	
CONTROLLER	1	100	100	1.00	100
ILLUM. SIGN	1		25	1.00	25
FLASHER				0.50	
ENERGY COSTS TO:				TOTAL =	299

ILLUMINATED SIGN, L.E.D.
"NO LEFT TURN"
(INCIDENTAL TO TEMPORARY SIGNAL INSTALLATION)

THE TRAFFIC SIGNAL CONTROL EQUIPMENT FOR THIS PROJECT SHALL BE "ECONOLITE" TO MATCH THE EXISTING ADJACENT SYSTEM.

THE EXISTING TRAFFIC SIGNAL CONTROLLER SHALL BE DISABLED AND TRAFFIC SIGNAL HEADS SHALL BE BAGGED DURING THE TIME WHEN TEMPORARY TRAFFIC SIGNAL INSTALLATION IS IN OPERATION. NO EXTRA COMPENSATION SHALL BE ALLOWED FOR THE SAME AND SHALL BE INCIDENTAL TO PAY ITEM "TEMPORARY TRAFFIC SIGNAL INSTALLATION"

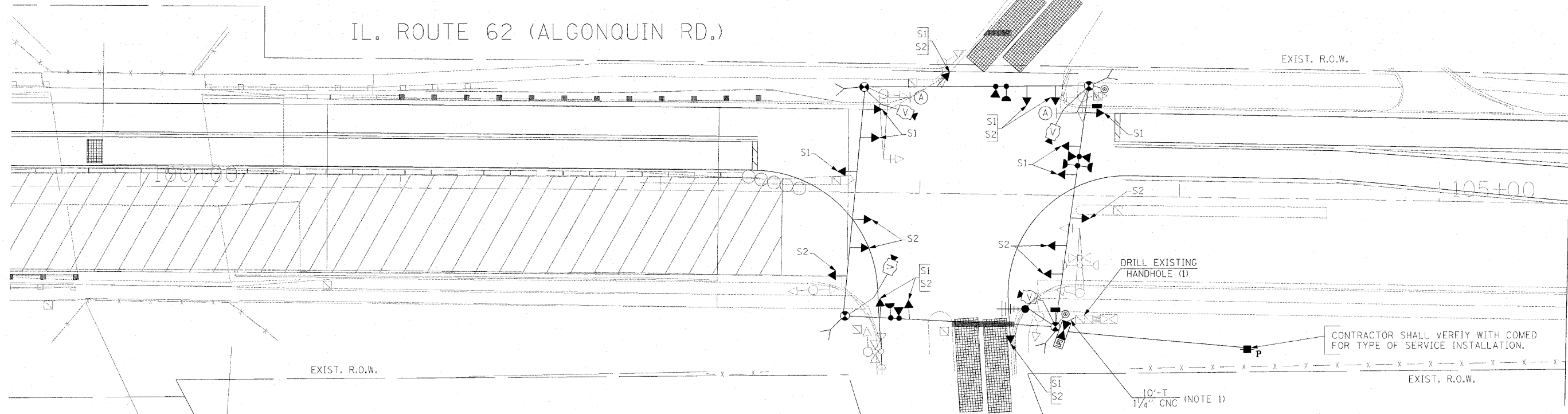
NOTES FOR TEMPORARY TRAFFIC SIGNALS

1. ALL CONTROL EQUIPMENT INCLUDING EMERGENCY PRE-EMPTION AND COMMUNICATION DEVICES FOR THE TEMPORARY TRAFFIC SIGNAL(S) SHALL BE FURNISHED BY THE CONTRACTOR.
2. ONLY CONTROLLERS SUPPLIED BY ONE OF THE DISTRICT APPROVED CLOSED LOOP EQUIPMENT MANUFACTURERS WILL BE APPROVED FOR USE AT TEMPORARY SIGNAL LOCATIONS. ALL CONTROLLERS USED FOR TEMPORARY TRAFFIC SIGNALS SHALL BE FULLY ACTUATED NEMA MICROPROCESSOR BASED WITH RS232 DATA ENTRY PORTS COMPATIBLE WITH EXISTING MONITORING SOFTWARE APPROVED BY IDOT DISTRICT 1, INSTALLED IN A NEMA TS2 CABINET. ONLY ONE BRAND OF CONTROLLER WILL BE ACCEPTED FOR ANY ONE CONTRACT.
3. ALL TRAFFIC SIGNAL SECTIONS AND PEDESTRIAN SIGNAL SECTIONS SHALL BE LED AND 12" (300mm) DIAMETER. HEADS SHALL BE PLACED AS INDICATED ON THE TEMPORARY TRAFFIC SIGNAL PLAN OR AS DIRECTED BY THE ENGINEER. PEDESTRIAN SIGNALS SHALL INCLUDE SOLID INTERNATIONAL SYMBOLS. PEDESTRIAN SIGNALS WITH COUNTDOWN TIMERS SHALL BE USED WHEN THE EXISTING INSTALLATION UTILIZES COUNTDOWN TYPE OR AS DIRECTED BY THE ENGINEER. COUNTDOWN TYPE PEDESTRIAN SIGNALS ARE NOT TO BE INSTALLED AT A RAILROAD INTERSECTION. THE CONTRACTOR SHALL FURNISH ENOUGH CABLE SLACK TO RELOCATE HEADS TO ANY POSITION ON THE SPAN WIRE OR AT LOCATIONS ILLUSTRATED ON THE PLANS FOR CONSTRUCTION STAGING. THE TEMPORARY TRAFFIC SIGNAL SHALL REMAIN IN OPERATION DURING ALL SIGNAL HEAD RELOCATIONS. EACH TEMPORARY TRAFFIC SIGNAL HEAD SHALL HAVE ITS OWN CABLE FROM THE CONTROLLER CABINET TO THE SIGNAL HEAD.

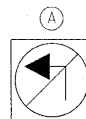
THE EXISTING TRAFFIC SIGNAL CONTROLLER SHALL BE DISABLED AND TRAFFIC SIGNAL HEADS SHALL BE BAGGED DURING THE TIME WHEN TEMPORARY TRAFFIC SIGNAL INSTALLATION IS IN OPERATION. NO EXTRA COMPENSATION SHALL BE ALLOWED FOR THE SAME AND SHALL BE INCIDENTAL TO PAY ITEM "TEMPORARY TRAFFIC SIGNAL INSTALLATION"

CONSTRUCTION NOTES:

- NOTE 1: INSTALL TEMPORARY INTERCONNECT CABLE NO. 62.5/125 12F BETWEEN THE EXISTING CONTROLLER CABINET AND THE TEMPORARY CONTROLLER CABINET. THIS WORK IS INCIDENTAL TO THE PAY ITEM "TEMPORARY TRAFFIC SIGNAL INSTALLATION".
- NOTE 2: THE SIGNAL HEAD PLACEMENT FOR ALL APPROACHES OF THE INTERSECTION IS FOR CONSTRUCTION STAGE 1 AND CONSTRUCTION STAGE 2 AND ARE SHOWN WITH S1 AND S2, NEXT TO THE SIGNAL HEAD.
- NOTE 3: THE VIDEO DETECTION ZONES SHOWN ON THE PLAN FOR ALL APPROACHES OF THE INTERSECTION ARE FOR CONSTRUCTION STAGE 1 AND SHALL BE REDEFINED FOR EACH CONSTRUCTION STAGE. THIS WORK IS INCIDENTAL TO THE PAY ITEM "TEMPORARY TRAFFIC SIGNAL INSTALLATION".



4. ALL EXISTING STREET NAME AND INTERSECTION REGULATORY SIGNS SHALL BE REMOVED FROM EXISTING POLES, RELOCATED AND SECURELY FASTENED TO THE SPAN WIRE OR WOOD POLE AS DIRECTED BY THE ENGINEER.
5. ANY TEMPORARY SIGNAL WITHIN AN EXISTING CLOSED LOOP TRAFFIC SIGNAL SYSTEM SHALL BE INTERCONNECTED TO THAT SYSTEM USING SIMILAR BRAND CONTROL EQUIPMENT.
6. THE TEMPORARY TRAFFIC SIGNAL SHALL HAVE THE SIGNAL HEAD DISPLAYS, SIGNAL HEAD PLACEMENTS AND CONTROLLER PHASING MATCH THE EXISTING TRAFFIC SIGNAL. AT THE TIME OF THE TURN ON, IF NO TRAFFIC STAGING IS IN PLACE OR WILL NOT BE STAGED ON THE DAY OF THE TURN ON.
7. UNINTERRUPTIBLE POWER SUPPLY (UPS) SYSTEMS SHALL BE INSTALLED AND MADE OPERATIONAL AT TEMPORARY TRAFFIC SIGNAL INSTALLATIONS WHERE UPS IS INSTALLED AT THE EXISTING TRAFFIC SIGNAL. TEMPORARY TRAFFIC SIGNALS AT RAILROAD INTERSECTIONS, AND TEMPORARY TRAFFIC SIGNALS AT INTERSECTIONS WITH FIRE STATION ACTUATED EMERGENCY VEHICLE PRE-EMPTION, OR WHEN INDICATED ON THE PLANS.
8. TRAFFIC SIGNAL MANAGEMENT SYSTEMS SHALL BE MAINTAINED IN OPERATION AS INDICATED ON THE PLANS OR AS DIRECTED BY THE ENGINEER. REQUIRED EQUIPMENT SHALL BE AS SHOWN ON THE PLANS AND THE CONTRACTOR SHALL PLACE THE EQUIPMENT IN OPERATION TO THE SATISFACTION OF THE ENGINEER AND THE AGENCY RESPONSIBLE FOR THE TRAFFIC SIGNAL MANAGEMENT SYSTEM.
9. DETECTION AT TEMPORARY TRAFFIC SIGNALS SHALL BE INCLUDED FOR ALL APPROACHES OF THE INTERSECTION UNLESS INDICATED OTHERWISE ON THE PLANS. THE DETECTION SYSTEM MUST MEET THE SPECIFICATIONS OF DISTRICT 1 AND THE CONTRACTOR SHALL PLACE THE DETECTORS INTO OPERATION TO THE SATISFACTION OF THE ENGINEER.
10. WHEN PAN, TILT, ZOOM CAMERAS ARE INSTALLED AT THE EXISTING INTERSECTION OR ARE CALLED FOR IN THE PLANS, THE CONTRACTOR SHALL BE RESPONSIBLE FOR INSTALLING AND MAINTAINING THE CAMERAS TO THE SATISFACTION OF THE ENGINEER AND THE AGENCY RESPONSIBLE FOR THE CAMERAS.



ILLUMINATED SIGN, L.E.D.
"NO LEFT TURN"
(INCIDENTAL TO TEMPORARY SIGNAL INSTALLATION)

THIS SIGN SHALL BE RELOCATED IF NECESSARY, AS DIRECTED BY FIELD ENGINEER.

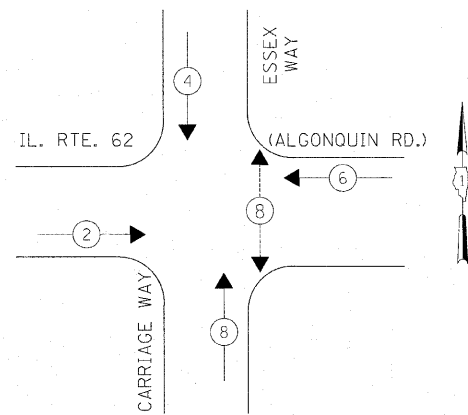
THE TRAFFIC SIGNAL CONTROL EQUIPMENT FOR THIS PROJECT SHALL BE "ECONOLITE" TO MATCH THE EXISTING ADJACENT SYSTEM.

MATCHLINE "A"

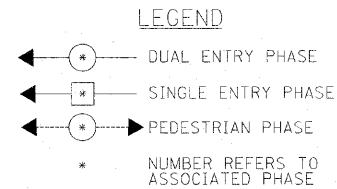
MATCHLINE "A"

FILE NAME = #FILE#	USER NAME = #USER#	DESIGNED - PKG	REVISED -	STATE OF ILLINOIS DEPARTMENT OF TRANSPORTATION	TEMPORARY INTERSECTION PLAN IL. ROUTE 62 (ALGONQUIN ROAD) AT CARRIAGE WAY	F.A.P. RTE.	SECTION	COUNTY	TOTAL SHEETS	SHEET NO.	
	PLCT SCALE = #SCALE#	DRAWN - MAA, EA	REVISED -			339	116-Y-2-BR-1	COOK	74	56	
	PLCT DATE = #DATE#	CHECKED - PKG	REVISED -			CONTRACT NO. 60J00					
		DATE - 6/23/2010	REVISED -			ILLINOIS FED. AID PROJECT					
					SCALE: 1"=20'	SHEET NO.	OF	SHEETS	STA.	TO STA.	

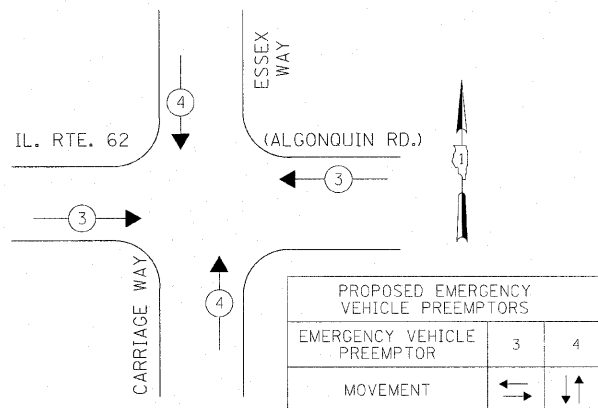
CONTROLLER SEQUENCE



TEMPORARY PHASE DESIGNATION DIAGRAM
STAGES: STAGE 1 AND STAGE 2



EMERGENCY VEHICLE PREEMPTION SEQUENCE



STAGES: STAGE 1 AND STAGE 2

PROPOSED EMERGENCY VEHICLE PREEMPTORS			
EMERGENCY VEHICLE PREEMPTOR	3	4	
MOVEMENT	↔	↕	

SCHEDULE OF QUANTITIES

QUANTITY	UNIT	ITEM
1	EACH	TEMPORARY TRAFFIC SIGNAL INSTALLATION
1	EACH	TEMPORARY TRAFFIC SIGNAL TIMING

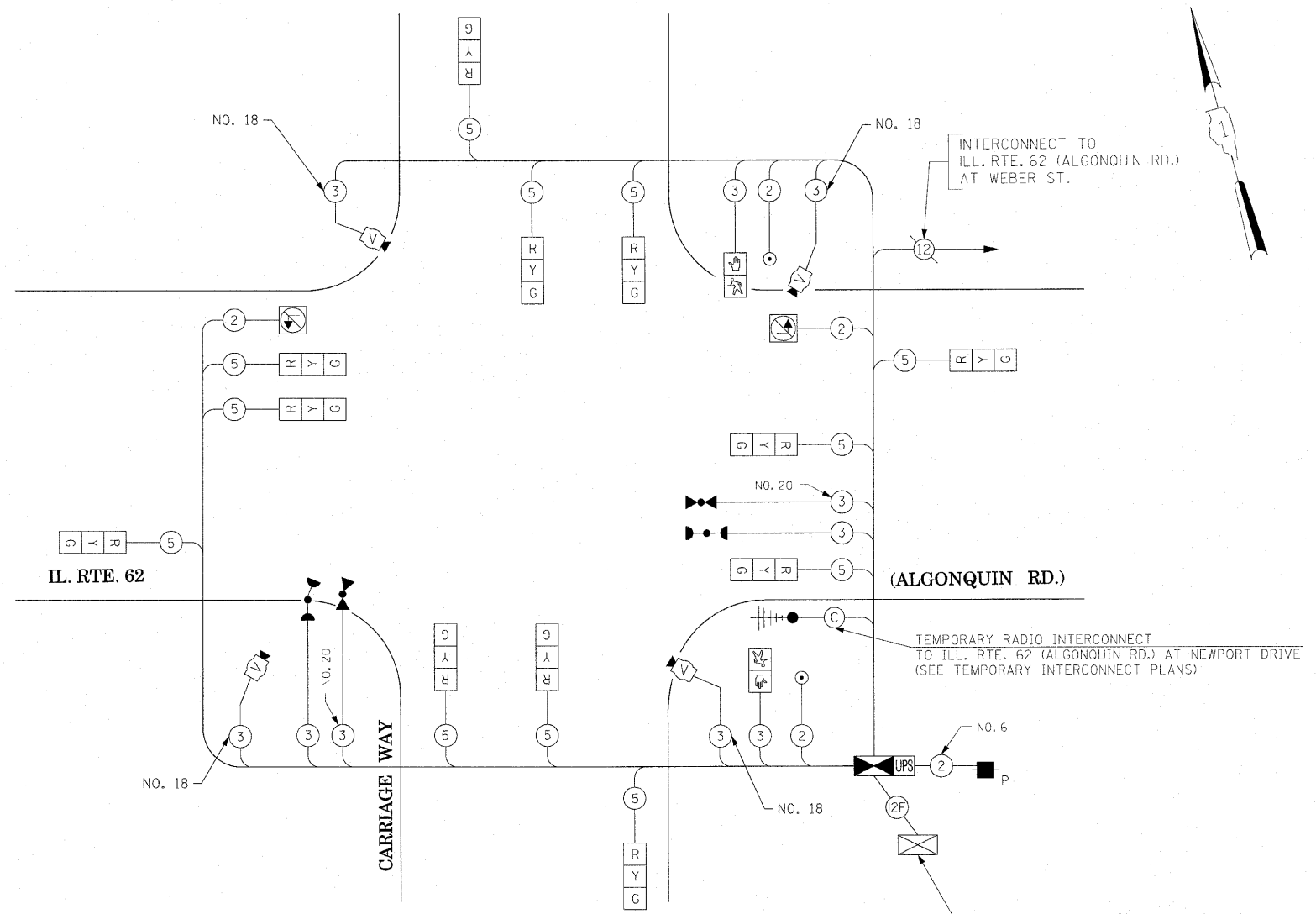
I.D.O.T. TRAFFIC SIGNAL INSTALLATION ELECTRICAL SERVICE REQUIREMENTS						
TYPE	NO LAMPS	WATTAGE		OPERATION	TOTAL WATTAGE	
		INCAND.	LED			
SIGNAL (RED)	12	135	17	0.50	102	
(YELLOW)	12	135	25	0.25	75	
(GREEN)	12	135	15	0.25	45	
ARROW		135	12	0.10		
PED. SIGNAL	2	90	25	1.00	50	
CONTROLLER	1	100	100	1.00	100	
ILLUM. SIGN	2		25	1.00	50	
FLASHER				0.50		
ENERGY COSTS TO:					TOTAL =	422
ENERGY SUPPLY CONTACT: ELEANOR SARALLO						
PHONE: (630) 424-5124						
COMPANY: COMMONWEALTH EDISON						

ILLUMINATED SIGN, L.E.D. "NO LEFT TURN" (INCIDENTAL TO TEMPORARY SIGNAL INSTALLATION)

STATE OF ILLINOIS DEPARTMENT OF TRANSPORTATION

TEMPORARY CABLE PLAN IL. ROUTE 62 (ALGONQUIN ROAD) AT CARRIAGE WAY

F.A.P. RTE.	SECTION	COUNTY	TOTAL SHEETS	SHEET NO.
339	116-Y-2-BR-1	COOK	74	57
CONTRACT NO. 60J00				



CABLE PLAN (NOT TO SCALE)

STAGES: STAGE 1 AND STAGE 2

THE TRAFFIC SIGNAL CONTROL EQUIPMENT FOR THIS PROJECT SHALL BE "ECONOLITE" TO MATCH THE EXISTING ADJACENT SYSTEM.

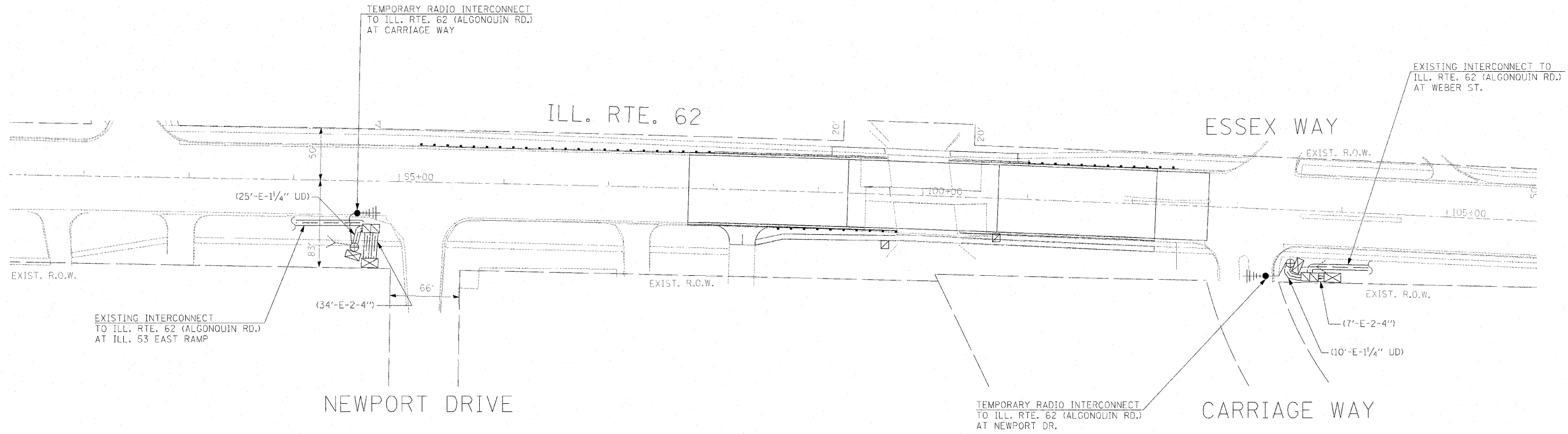
THE EXISTING TRAFFIC SIGNAL CONTROLLER SHALL BE DISABLED AND TRAFFIC SIGNAL HEADS SHALL BE BAGGED DURING THE TIME WHEN TEMPORARY TRAFFIC SIGNAL INSTALLATION IS IN OPERATION. NO EXTRA COMPENSATION SHALL BE ALLOWED FOR THE SAME AND SHALL BE INCIDENTAL TO PAY ITEM "TEMPORARY TRAFFIC SIGNAL INSTALLATION"

FILE NAME =	USER NAME = #USER#	DESIGNED - PKG	REVISED -
*FILE#		DRAWN - MAA, EA	REVISED -
	PLT SCALE = #SCALE#	CHECKED - PKG	REVISED -
	PLT DATE = #DATE#	DATE - 6/23/2010	REVISED -

SCALE: NONE SHEET NO. OF SHEETS STA. TO STA.

ILLINOIS FED. AID PROJECT

NOTE: THE TEMPORARY RADIO INTERCONNECT WORK SHALL BE PERFORMED AS SHOWN IN THE PLANS AND AS DIRECTED BY THE ENGINEER. THE COST OF THIS WORK SHALL BE INCLUDED IN THE PAY ITEM "TEMPORARY TRAFFIC SIGNAL INSTALLATION".



THE TRAFFIC SIGNAL CONTROL EQUIPMENT FOR THIS PROJECT SHALL BE "ECONOLITE" TO MATCH THE EXISTING ADJACENT SYSTEM.

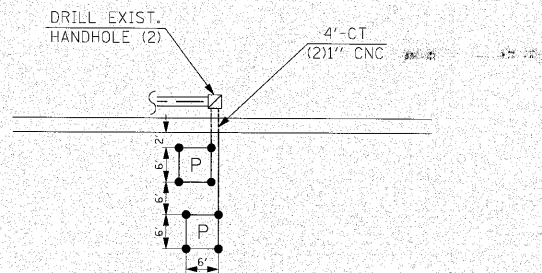
FILE NAME =	USER NAME = #USER#	DESIGNED - PKG	REVISED -	STATE OF ILLINOIS DEPARTMENT OF TRANSPORTATION	TEMPORARY INTERCONNECT PLAN ILL. RTE. 62 (ALGONQUIN RD.) FROM NEWPORT DRIVE TO CARRIAGE WAY	F.A.P. RTE.	SECTION	COUNTY	TOTAL SHEET SHEETS NO.
#FILE#		DRAWN - MAA, EA	REVISED -			339	116-Y-2-BR-1	COOK	74 58
		CHECKED - PKG	REVISED -			CONTRACT NO. 60J00			
		DATE - 6/23/2010	REVISED -			ILLINOIS FED. AID PROJECT			
					SCALE: 1"=50'	SHEET NO.	OF	SHEETS	STA. TO STA.

SCHEDULE OF INTERCONNECT QUANTITIES

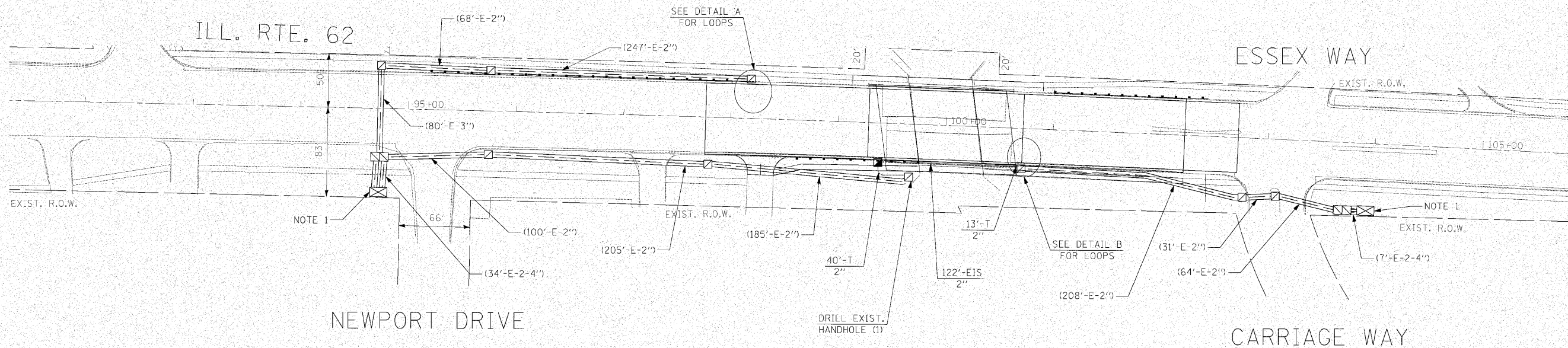
QUANTITY	UNIT	ITEM
53	FOOT	CONDUIT IN TRENCH, 2" DIA., GALVANIZED STEEL
122	FOOT	CONDUIT EMBEDDED IN STRUCTURE, 2" DIA., PVC
53	FOOT	TRENCH AND BACKFILL FOR ELECTRICAL WORK
6	EACH	DRILL EXISTING HANDHOLE
1992	FOOT	REMOVE ELECTRIC CABLE FROM CONDUIT
1023	FOOT	ELECTRIC CABLE IN CONDUIT, TRACER NO. 14 1C
128	FOOT	PREFORMED DETECTOR LOOP
1049	FOOT	FIBER OPTIC CABLE IN CONDUIT, NO. 62.5/125, MM12F SM12F

NOTE 1: REMOVE EXISTING FIBER OPTIC CABLE (1009') AND TRACER CABLE (983') BETWEEN NEWPORT DRIVE AND CARRIAGE WAY. INSTALL NEW FIBER OPTIC CABLE AND TRACER CABLE AS SHOWN IN PLANS AND AS DIRECTED BY THE ENGINEER.

NOTE 2: THE EXISTING "ELECTRIC CABLE IN CONDUIT, LEAD-IN, NO. 14 1 PAIR" SHALL BE REUSED FOR THE NEW PREFORMED DETECTOR LOOPS.

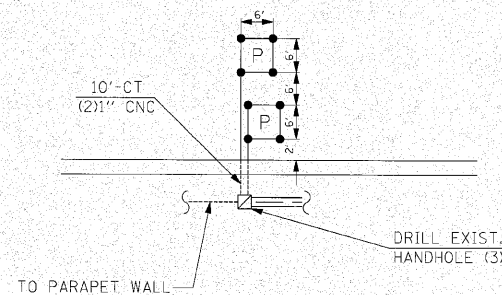


(NOT TO SCALE)
DETAIL "A"



INTERCONNECT PLAN LEGEND

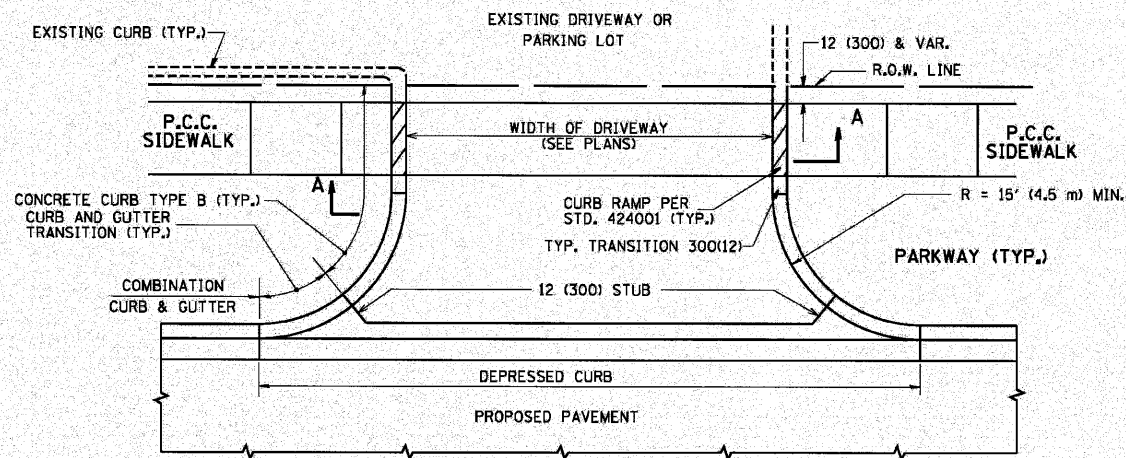
PROPOSED EXISTING
CONDUIT EMBEDDED IN STRUCTURE (EIS) ————



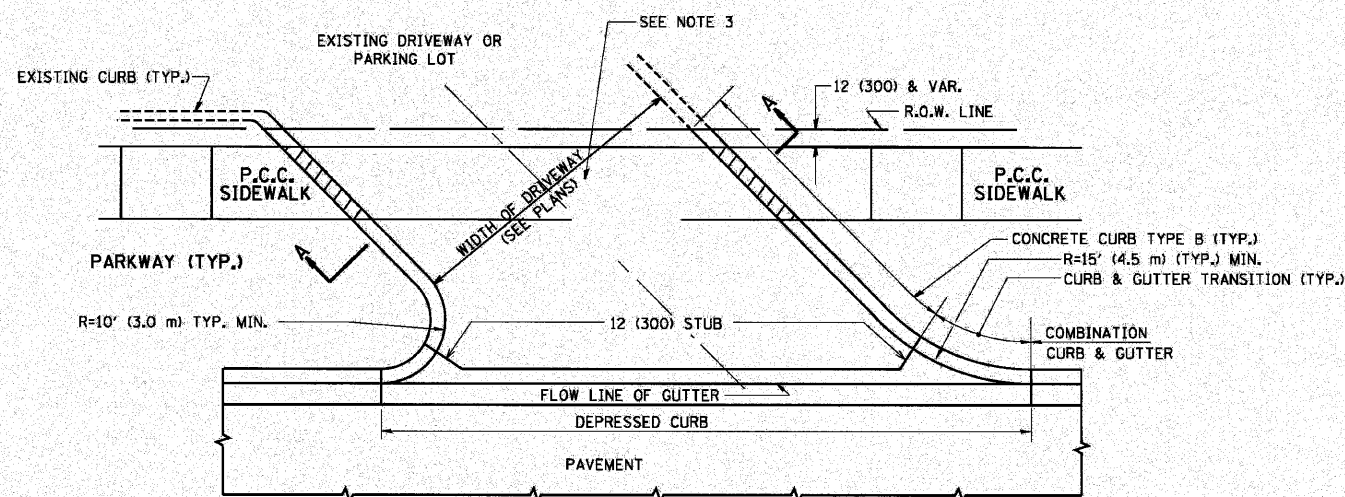
(NOT TO SCALE)
DETAIL "B"

THE TRAFFIC SIGNAL CONTROL EQUIPMENT FOR THIS PROJECT SHALL BE "ECONOLITE" TO MATCH THE EXISTING ADJACENT SYSTEM.

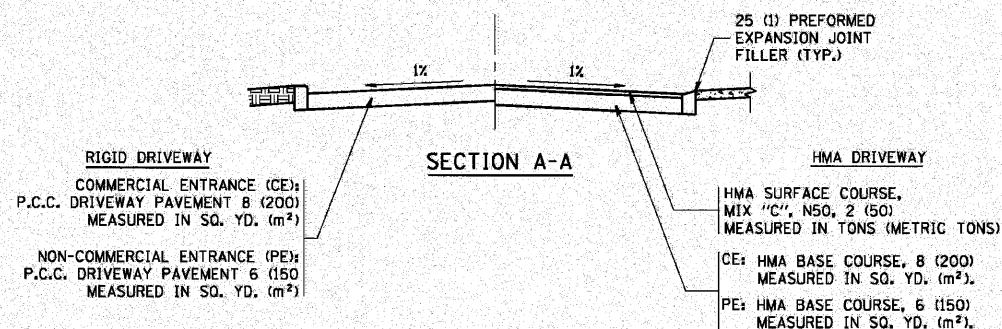
FILE NAME -	USER NAME - \$USER\$	DESIGNED - PKG	REVISED -	STATE OF ILLINOIS DEPARTMENT OF TRANSPORTATION	PROPOSED INTERCONNECT PLAN ILL. RTE. 62 (ALGONQUIN RD.) FROM NEWPORT DRIVE TO CARRIAGE WAY	F.A.P. RTE. 339	SECTION 116-Y-2-BR-1	COUNTY COOK	TOTAL SHEETS 74	SHEET NO. 59	
\$FILEL\$	PLOT SCALE - \$SCALE\$	DRAWN - MAA, EA	REVISED -			SCALE: 1"=50'		SHEET NO. OF SHEETS STA. TO STA.		CONTRACT NO. 60J00	
	PLOT DATE - \$DATE\$	CHECKED - PKG	REVISED -			ILLINOIS FED. AID PROJECT					
		DATE - 6/23/2010	REVISED -								



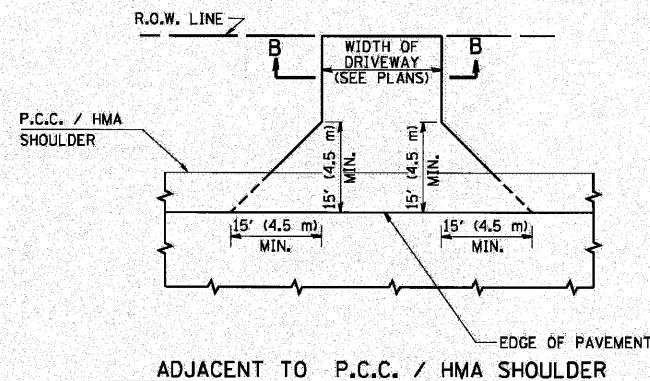
WITH CONCRETE CURB, TYPE B



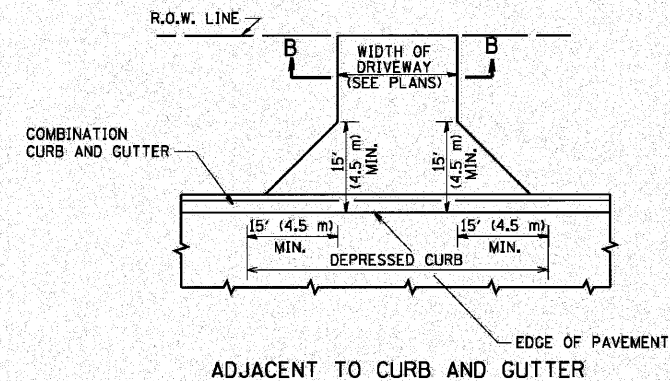
WITH CONCRETE CURB, TYPE B



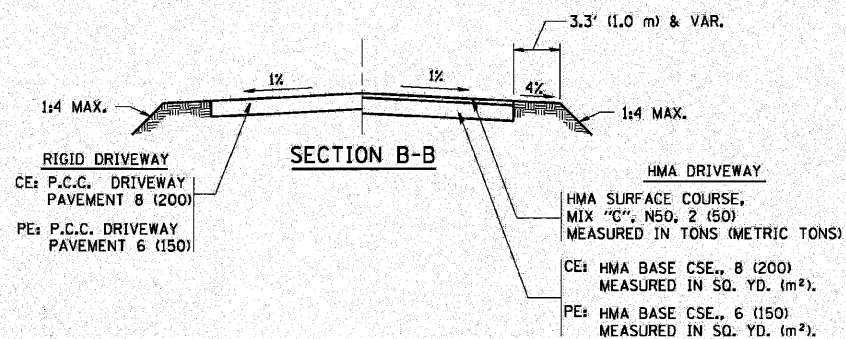
DRIVEWAY DETAILS – DISTANCE BETWEEN R.O.W. AND CURB OR EDGE GREATER THAN OR EQUAL TO 15'



ADJACENT TO P.C.C. / HMA SHOULDER



ADJACENT TO CURB AND GUTTER



GENERAL NOTES:

DRIVEWAY SLOPES, LOCATIONS, & GEOMETRIC LAYOUT SHALL BE IN ACCORDANCE WITH THE LATEST EDITION OF THE "HANDBOOK FOR POLICY ON PERMITS FOR ACCESS DRIVEWAYS TO STATE HIGHWAYS". FOR FURTHER LAYOUT REQUIREMENTS, REFER TO ILLUSTRATIONS IN THE PERMIT HANDBOOK. DRIVEWAYS SHALL BE REPLACED IN KIND, UNLESS OTHERWISE NOTED ON THE PLANS.

COMMERCIAL DRIVEWAYS SHALL BE CONSTRUCTED WITH CONCRETE CURB, TYPE B RETURNS EXCEPT WHEN THE SIDEWALK EDGE IS 4 FEET (1.2 METERS) OR LESS FROM THE BACK OF CURB, CONSTRUCT A FLARE DRIVEWAY WITHOUT CURB.

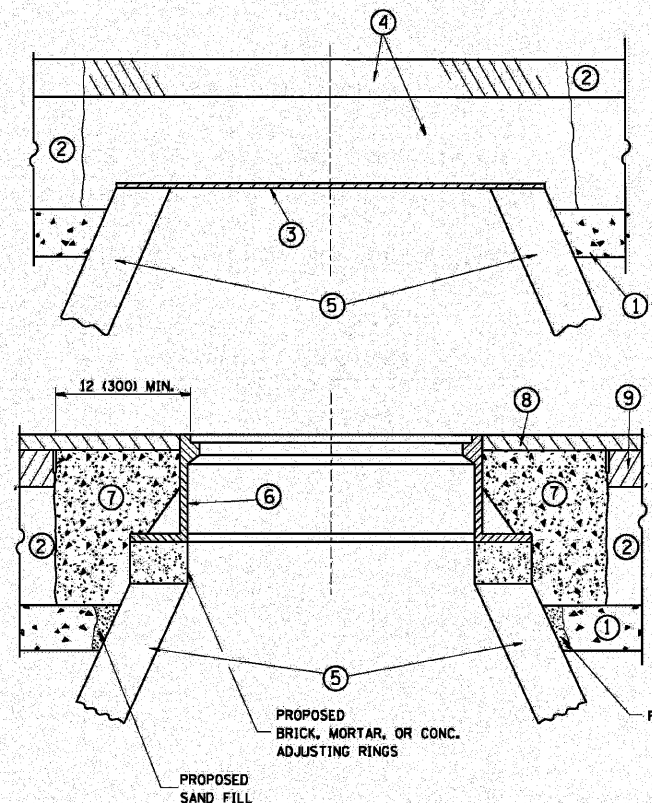
THE RESIDENT ENGINEER SHALL CONTACT THE TRAFFIC PERMIT OFFICE AT 847/ 705-4131 FOR ANY QUESTIONS ON DRIVEWAYS SHOWN IN THE PLANS; SPECIFICALLY IN REFERENCE TO ADDITIONAL AND/OR RELOCATION/REMOVAL OF A DRIVEWAY.

COMBINATION CONCRETE CURB & GUTTER SHALL BE MEASURED STRAIGHT ACROSS THE DRIVEWAY. NO ADDITIONAL COMPENSATION WILL BE ALLOWED FOR THE CURB & GUTTER TRANSITION.

1 (25) PREFORMED EXPANSION JOINT FILLER WILL NOT BE PAID SEPARATELY, BUT SHALL BE CONSIDERED INCLUDED IN THE COST OF THE P.C.C. DRIVEWAY PAVEMENT OR P.C.C. SIDEWALK.

WHEN THE P.C.C. SIDEWALK EXTENDS THROUGH THE DRIVEWAY, THE THICKNESS OF THE SIDEWALK IN THE DRIVEWAY AREA SHALL BE THE SAME AS THE DRIVEWAY THICKNESS. SIDEWALK WILL BE PAID FOR AS P.C.C. SIDEWALK OF THE THICKNESS SPECIFIED. SIDEWALK CROSS SLOPE THRU DRIVEWAY AREA TO BE A MAXIMUM OF 1:50.

FILE NAME =	USER NAME = #USER#	DESIGNED - SEW	REVISED -	STATE OF ILLINOIS DEPARTMENT OF TRANSPORTATION		DISTRICT 1 STANDARDS IL ROUTE 62 (ALGONQUIN ROAD) OVER SALT CREEK		F.A.P. RTE.	SECTION	COUNTY	TOTAL SHEETS	SHEET NO.
#FILE#		DRAWN - SEW	REVISED -					339	116-Y-2-BR-1	COOK	74	60
	PLOT SCALE = #SCALE#	CHECKED - FML	REVISED -					BD-01	CONTRACT NO. 60J00			
	PLOT DATE = #DATE#	DATE - 2/2010	REVISED -					FED. ROAD DIST. NO. [ILLINOIS] FED. AID PROJECT				



CONSTRUCTION PROCEDURES

STAGE 1 (BEFORE PAVEMENT MILLING)

- A) REMOVE A MINIMUM OF 12 (300) OF THE PAVEMENT FROM AROUND THE STRUCTURE.
- B) REMOVE THE EXISTING FRAME AND LID FROM THE STRUCTURE.
- C) COVER THE STRUCTURE OPENING WITH A 36 (900) DIAMETER METAL PLATE.
- D) BACKFILL WITH CRUSHED STONE AND A MINIMUM 1 1/2 (40) THICK HMA SURFACE MIX APPROVED BY THE ENGINEER.

STAGE 2 (AFTER PAVEMENT MILLING)

- A) REMOVE THE HMA SURFACE MIX AND CRUSHED STONE.
- B) INSTALL THE FRAME AND LID; ADJUST THE FRAME TO ITS FINAL SURFACE ELEVATION.
- C) THE SURROUNDING SPACE SHALL BE FILLED WITH CLASS S1 CONCRETE, OR HMA SURFACE COURSE OR HMA BINDER COURSE TO THE ELEVATION OF THE SURFACE OF THE EXISTING BASE COURSE OR THE BINDER COURSE.

THE PROCEDURE EXPLAINED ABOVE SHALL CONFORM TO THE APPLICABLE PORTIONS OF SECTIONS 353, 406, 602, AND 603 OF THE STANDARD SPECIFICATIONS.

LEGEND

- ① SUB-BASE GRANULAR MATERIAL
- ② EXISTING PAVEMENT
- ③ 36 (900) DIAMETER METAL PLATE
- ④ PROPOSED CRUSHED STONE AND HMA SURFACE MIX
- ⑤ EXISTING STRUCTURE
- ⑥ FRAME AND LID (SEE NOTES)
- ⑦ CLASS S1 CONCRETE, HMA SURFACE COURSE OR HMA BINDER COURSE
- ⑧ PROPOSED HMA SURFACE COURSE
- ⑨ PROPOSED HMA BINDER COURSE

LOCATION OF STRUCTURES:

THE CONTRACTOR WILL BE REQUIRED TO KEEP A RECORD OF THE LOCATIONS OF THE BURIED STRUCTURES ACCORDING TO THE STATION AND DISTANCE LEFT OR RIGHT OF THE CENTERLINE OF PAVEMENT. UPON COMPLETION OF THE WORK, THE CONTRACTOR WILL DELIVER THE RECORD TO THE ENGINEER.

BASIS OF PAYMENT:

THIS WORK WILL BE PAID FOR AT THE CONTRACT UNIT PRICE PER EACH FOR "FRAMES AND LIDS TO BE ADJUSTED, SPECIAL" NEW FRAMES AND LIDS, WHEN SPECIFIED, WILL BE PAID FOR SEPARATELY.

NOTES:

EXISTING BROKEN FRAMES AND LIDS SHALL BE REMOVED AND DISPOSED OF BY THE CONTRACTOR AND SHALL BE REPLACED AS DIRECTED BY THE ENGINEER. REPLACEMENT FRAMES AND LIDS WILL BE PAID FOR IN ACCORDANCE WITH ARTICLE 109.04 OF THE STANDARD SPECIFICATIONS UNLESS A SEPARATE PAY ITEM HAS BEEN PROVIDED.

IF THE EXISTING LIDS ARE OPEN, THE FRAME WILL BE ADJUSTED TO THE ELEVATION OF THE MILLED PAVEMENT SURFACE PRIOR TO THE MILLING OPERATION. THE FRAME WILL NOT BE REMOVED AND COVERED BY THE METAL PLATE.

CITY OF CHICAGO CASTINGS ARE THE PROPERTY OF THE CITY AND THE CONTRACTOR SHALL NOTIFY THE CITY FOR REMOVAL AND DISPOSITION OF THE CASTINGS.

THE METAL PLATE USED TO COVER THE STRUCTURE SHALL REMAIN THE PROPERTY OF THE CONTRACTOR.

WHEN STRUCTURES ARE TO BE ADJUSTED OR RECONSTRUCTED, THE LOWERING AND RAISING OF THE FRAMES AND LIDS WILL NOT BE PAID FOR SEPARATELY BUT WILL BE INCLUDED IN THE COST OF THE CORRESPONDING PAY ITEM.

FRAMES AND LIDS ADJUSTMENT WITH MILLING; AND FRAMES AND LIDS ADJUSTMENT WITHOUT MILLING

ALL DIMENSIONS ARE IN INCHES (MILLIMETERS) UNLESS OTHERWISE SHOWN

FILE NAME =	USER NAME = #USER#	DESIGNED - SEW	REVISED -	STATE OF ILLINOIS DEPARTMENT OF TRANSPORTATION	DISTRICT 1 STANDARDS IL ROUTE 62 (ALGONQUIN ROAD) OVER SALT CREEK	F.A.P. RTE.	SECTION	COUNTY	TOTAL SHEETS	SHEET NO.	
#FILEL#		DRAWN - SEW	REVISED -			339	116-Y-2-BR-1	COOK	74	61	
PLOT SCALE = #SCALE#		CHECKED - FML	REVISED -			BD-08		CONTRACT NO. 60J00			
PLOT DATE = #DATE#		DATE - 2/2010	REVISED -			FED. ROAD DIST. NO. ILLINOIS FED. AID PROJECT					
				SCALE: N.T.S.		SHEET NO. 2 OF 12 SHEETS		STA.		TO STA.	

VARIABLE - TO MEET EXISTING DIMENSIONS AND FIELD CONDITIONS (SEE NOTE ②)

PROP. CONC. CURB OR CURB AND GUTTER REPLACEMENT IN ACCORDANCE WITH STATE STANDARD 606001. (SEE NOTE ②)

SAW CUT FULL DEPTH - INCLUDED IN THE COST OF SIDEWALK, DRIVEWAY OR MEDIAN SURFACE REMOVAL PAY ITEM.

SEE STATE STANDARD 606001

18" (450) MAX.

EXISTING OR PROPOSED HMA SURFACE (IF APPLICABLE)

1/4" (5) **

EXISTING SIDEWALK, DRIVEWAY, MEDIAN SURFACE, SOD OR GROUND.

PROPOSED SIDEWALK, DRIVEWAY PAVEMENT, MEDIAN SURFACE OR SODDING SALT TOLERANT WITH TOP SOIL, 4" (100) SOD RESTORATION (SEE NOTE ①).

T/2 *

SUITABLE BACKFILL MATERIAL (INCLUDED IN THE COST OF CURB OR CURB AND GUTTER REMOVAL AND REPLACEMENT)

EXISTING CONCRETE PAVEMENT, CONCRETE BASE COURSE OR FLEXIBLE PAVEMENT

3" (75) MIN.

PROPOSED 3/4" (20) PREFORMED EXPANSION JOINT AT CONCRETE SIDEWALKS, DRIVEWAYS, AND MEDIANS. (INCLUDED IN THE COST OF CURB OR CURB AND GUTTER REMOVAL AND REPLACEMENT.)

* 3" (75) MINIMUM FROM TOP AND BOTTOM OF THE CONCRETE PAVEMENT OR BASE COURSE.

** IF THE FINAL SURFACE OF THE PAVEMENT IS CONCRETE, THE GUTTER IS TO BE FLUSH WITH THE PAVEMENT.

UNSUITABLE SUB-BASE MATERIAL TO BE REMOVED, IF DIRECTED BY THE ENGINEER, SHALL BE REPLACED WITH EITHER SUB-BASE GRANULAR MATERIAL, TYPE B OR ADDITIONAL THICKNESS OF CONCRETE.

NOTE: ① SIDEWALK, DRIVEWAY PAVEMENT OR MEDIAN SURFACE SHALL BE SIMILAR TO THE MATERIAL BEING REMOVED AND WILL BE PAID FOR SEPARATELY.

SODDING, SALT TOLERANT AND TOP SOIL, FURNISH AND PLACE 4" WILL BE PAID FOR SEPARATELY.

REMOVAL AND REPLACEMENT 4" (100) OR LESS IS INCLUDED IN THE COST OF CURB OR CURB AND GUTTER REMOVAL AND REPLACEMENT.

② FERTILIZER FOR THE PLACEMENT OF THE SOD IS NOT REQUIRED

③ CURB OR CURB AND GUTTER REPLACEMENT SHALL MATCH THE SHAPE OF THE EXISTING CURB OR CURB AND GUTTER UNLESS OTHERWISE SPECIFIED.

REMOVAL AND REPLACEMENT IN EXCESS OF 4" (100) WILL BE PAID FOR IN ACCORDANCE WITH ARTICLE 109.04 OF THE STANDARD SPECIFICATIONS.

④ FOR CURB OR CURB AND GUTTER REMOVAL AND REPLACEMENT ADJACENT TO FLEXIBLE PAVEMENT DELETE EPOXY COATED TIE BARS.

PROPOSED #6 (20) EPOXY COATED TIE BARS 24" (600) LONG AT 24" (600) CENTERS WILL NOT BE PAID FOR SEPARATELY. DELETE EPOXY COATED TIE BARS IF EXISTING TIE BARS ARE USUABLE AS DETERMINED BY THE ENGINEER. (SEE NOTE ③).

⑤ LONGITUDINAL BARS, IF ENCOUNTERED IN THE EXISTING CURB OR CURB AND GUTTER, ARE NOT TO BE REPLACED. CUTTING AND REMOVING LONGITUDINAL BARS SHALL BE INCLUDED IN THE COST OF CURB OR CURB AND GUTTER REMOVAL AND REPLACEMENT.

⑥ THE COST OF HMA SURFACE REMOVAL IN THE EXISTING GUTTER FLAG SHALL BE INCLUDED IN THE COST OF THE CURB AND GUTTER REMOVAL AND REPLACEMENT.

BASIS OF PAYMENT:

THIS WORK WILL BE PAID FOR AT THE CONTRACT UNIT PRICE PER FOOT (METER) FOR "CURB REMOVAL AND REPLACEMENT" OR "COMBINATION CONCRETE CURB AND GUTTER REMOVAL AND REPLACEMENT".

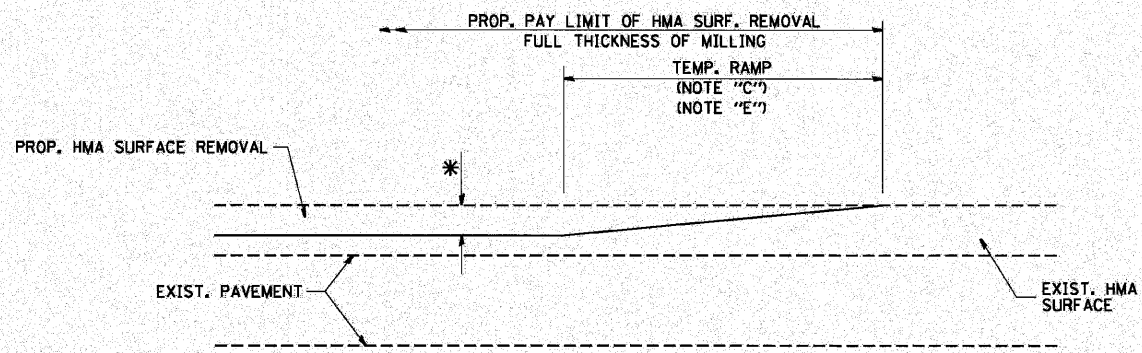
⑦ THE REMOVAL AND REPLACEMENT OF THE EXISTING CURB OR CURB AND GUTTER SHALL BE DONE IN ACCORDANCE WITH THE APPLICABLE PORTIONS OF SECTION 440 AND 606 OF THE STANDARD SPECIFICATIONS.

⑧ THE LOCATIONS OF REMOVAL AND REPLACEMENT OF EXISTING CURB OR CURB AND GUTTER SHALL BE DETERMINED BY THE RESIDENT ENGINEER AT THE TIME OF CONSTRUCTION.

CURB OR CURB AND GUTTER REMOVAL AND REPLACEMENT

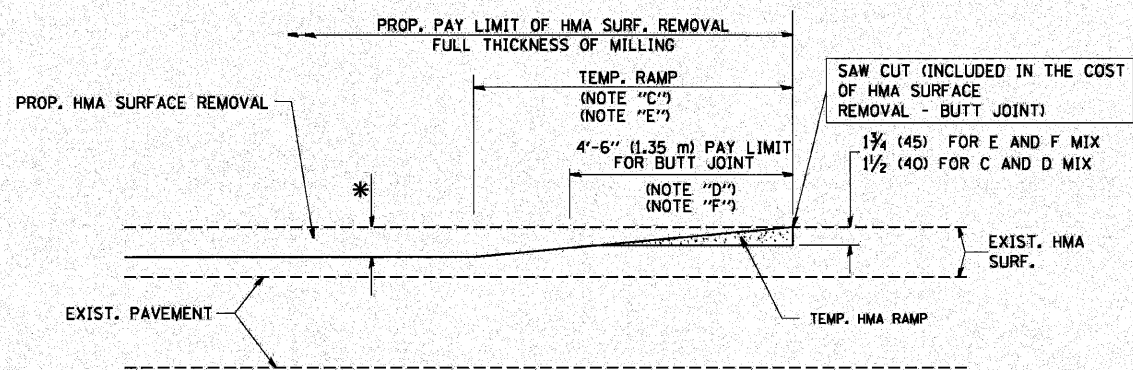
ALL DIMENSIONS ARE IN INCHES (MILLIMETERS) UNLESS OTHERWISE SHOWN.

FILE NAME =	USER NAME = *USER*	DESIGNED - SEW	REVISED -	STATE OF ILLINOIS DEPARTMENT OF TRANSPORTATION	DISTRICT 1 STANDARDS IL ROUTE 62 (ALGONQUIN ROAD) OVER SALT CREEK			F.A.P. RTE.	SECTION	COUNTY	TOTAL SHEETS	SHEET NO.	
*FILEL#		DRAWN - SEW	REVISED -		SCALE: N.T.S.	SHEET NO. 3 OF 12 SHEETS	STA.	TO STA.	339	116-Y-2-BR-1	COOK	74	62
		CHECKED - FML	REVISED -						BD-24			CONTRACT NO. 60J00	
		DATE - 2/2010	REVISED -						FED. ROAD DIST. NO. ILLINOIS FED. AID PROJECT				



MILLED TEMPORARY RAMP
(FOR BUTT JOINT AND HMA TAPER SEE DETAIL BELOW)

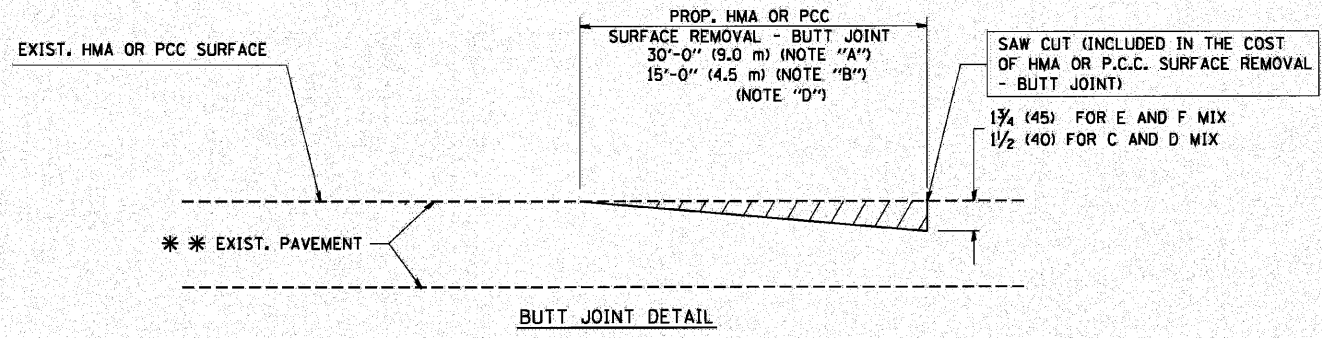
OPTION 1



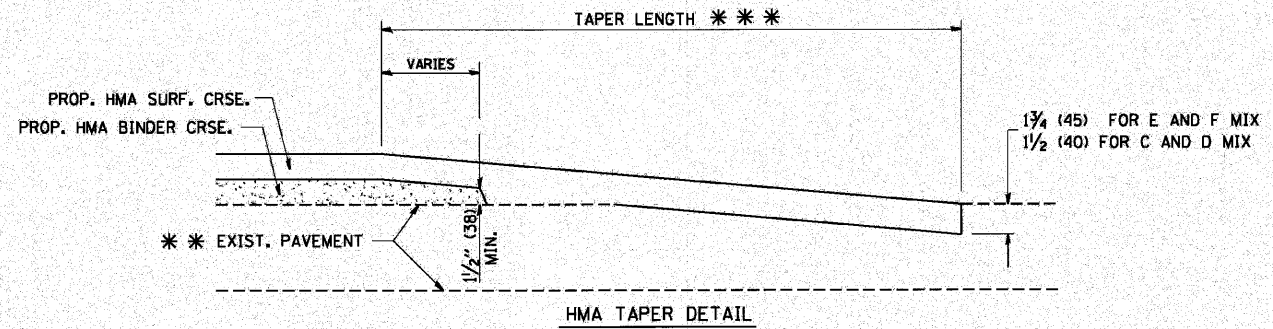
HMA CONSTRUCTED TEMPORARY RAMP
(FOR BUTT JOINT AND HMA TAPER SEE DETAIL BELOW)

OPTION 2

TYPICAL TEMPORARY RAMP



BUTT JOINT DETAIL



HMA TAPER DETAIL

TYPICAL BUTT JOINT AND HMA TAPER FOR RESURFACING ONLY

*** PC CONCRETE, HMA OR HMA RESURFACED PAVEMENT.

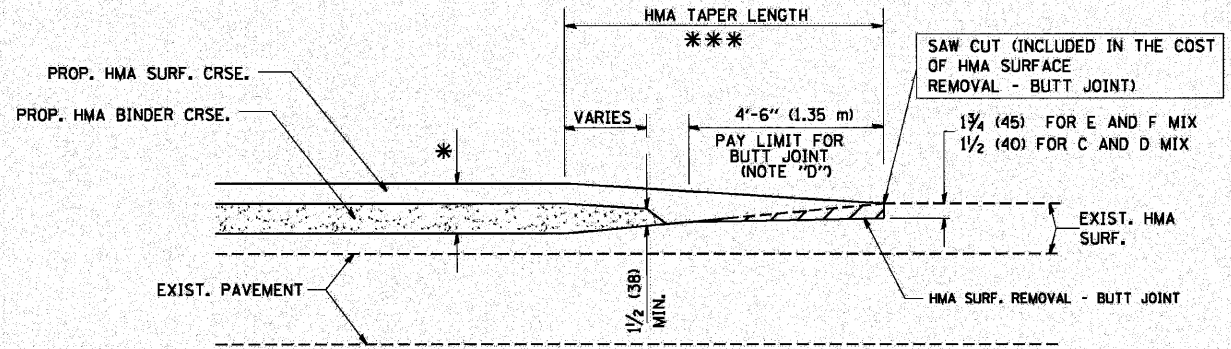
NOTES

- A: MAINLINE ROADWAYS AND MAJOR SIDE ROADS.
 - B: MINOR SIDE ROADS.
 - C: THE TEMP. RAMP SHALL BE CONSTRUCTED IMMEDIATELY UPON REMOVAL OF THE EXISTING HMA SURFACE.
 - D: THE BUTT JOINT SHALL BE CONSTRUCTED IMMEDIATELY PRIOR TO PLACING THE PROPOSED HMA COURSES.
 - E: TAPER THE TEMP. RAMP AT A RATE OF 3'-0" (900 mm) PER 1 INCH (25 mm) OF MILLING THICKNESS.
 - F: INSTALLATION AND REMOVAL OF THE 4'-6" (1.35 m) TEMP. RAMP IS INCLUDED IN COST OF HMA SURFACE REMOVAL - BUTT JOINT
 - G: SEE ARTICLE 406.08 AND 406.14 OF THE STANDARD SPECIFICATIONS FOR "HMA AND/OR PCC SURFACE REMOVAL, BUTT JOINT".
- * SEE TYPICAL SECTIONS FOR MILLING THICKNESS.
- *** 20'-0" (6.1 m) PER 1 (25) RESURFACING (NOTE "A")
10'-0" (3.0 m) PER 1 (25) RESURFACING (NOTE "B")

BASIS OF PAYMENT:

THE BUTT JOINT WILL BE PAID FOR AT THE CONTRACT UNIT PRICE PER SQUARE YARD (SQUARE METER) FOR "HOT-MIX ASPHALT SURFACE REMOVAL - BUTT JOINT" OR FOR "PORTLAND CEMENT CONCRETE SURFACE REMOVAL - BUTT JOINT".

ALL DIMENSIONS ARE IN INCHES (MILLIMETERS) UNLESS OTHERWISE SHOWN.



BUTT JOINT AND HMA TAPER

BUTT JOINTS AND HMA TAPER

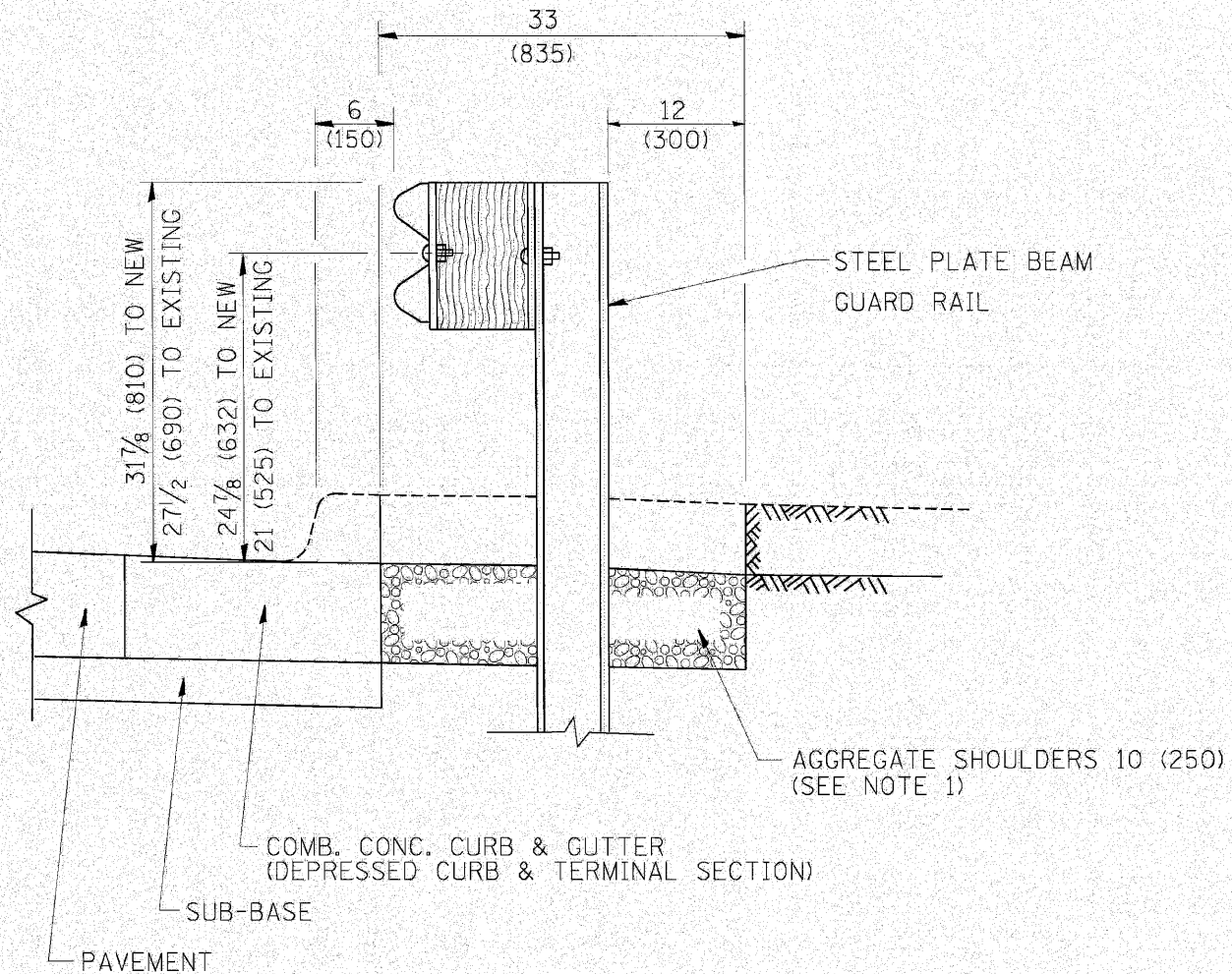
FILE NAME =	USER NAME = #USER#	DESIGNED - SEW	REVISED -
*FILEL#		DRAWN - SEW	REVISED -
	PLOT SCALE = #SCALE#	CHECKED - FML	REVISED -
	PLOT DATE = #DATE#	DATE - 2/2010	REVISED -

**STATE OF ILLINOIS
DEPARTMENT OF TRANSPORTATION**

**DISTRICT 1 STANDARDS
IL ROUTE 62 (ALGONQUIN ROAD) OVER SALT CREEK**

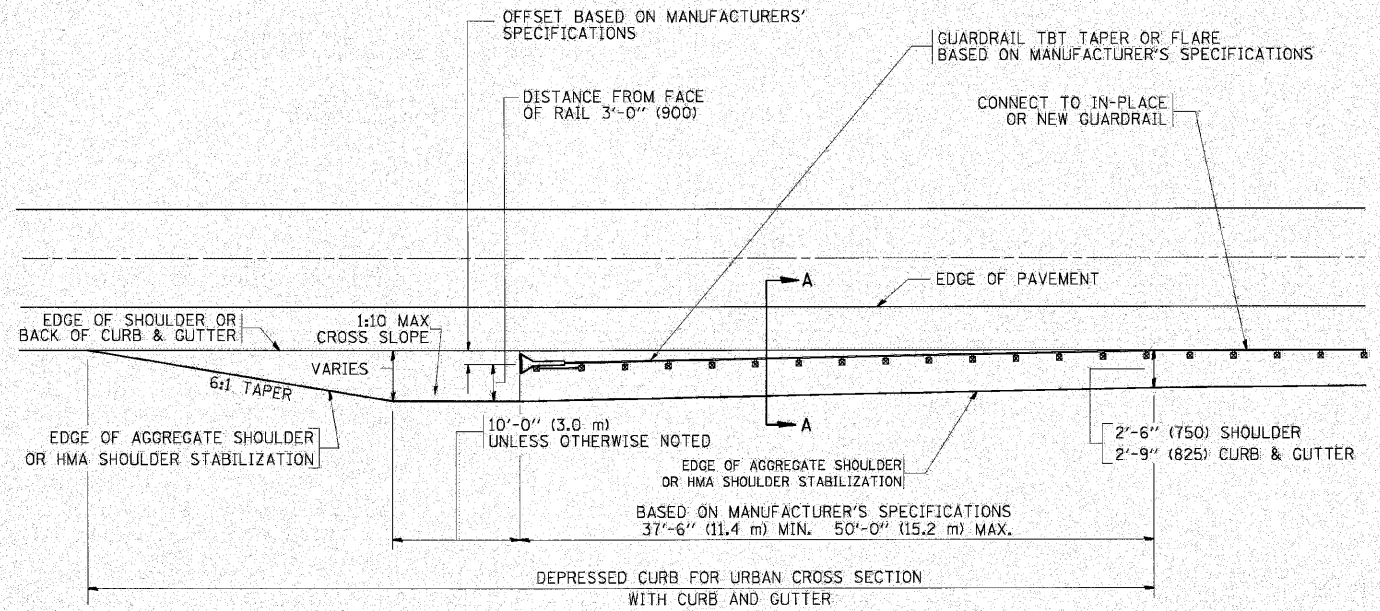
SCALE: N.T.S. SHEET NO. 4 OF 12 SHEETS STA. TO STA.

F.A.P. RTE.	SECTION	COUNTY	TOTAL SHEETS	SHEET NO.
339	116-Y-2-BR-1	COOK	74	63
	BD-32		CONTRACT NO. 60J00	
FED. ROAD DIST. NO. ILLINOIS FED. AID PROJECT				



SECTION A-A

- NOTES:
1. THE AGGREGATE SHOULDER, 10" OR HMA SHOULDER, 6" (IF REQUIRED) SHALL EXTEND UNDER THE TRAFFIC BARRIER TERMINAL.
 2. "EXISTING" GUARDRAIL REFERS TO CONNECTING TERMINAL SECTION TO GUARD RAILING PRIOR TO THE MIDWEST GUARDRAIL SYSTEM.
 3. THE CONTRACTOR SHALL VERIFY THE TYPE/HEIGHT OF GUARDRAIL IN-PLACE BEFORE ORDERING THE NEW TERMINAL SECTION. COST INCLUDED WITH THE COST OF THE TERMINAL. THE TERMINAL SECTION HEIGHT TO BE PLACED MUST MATCH THE HEIGHT OF THE IN-PLACE GUARDRAIL.



BASIS OF PAYMENT: HMA SHOULDERS 6 (150) (IF REQUIRED) WILL BE PAID FOR AT THE CONTRACT UNIT PRICE PER SQUARE YARD (SQUARE METER) FOR "HOT-MIX ASPHALT SHOULDERS 6" (150 mm)".

STEEL PLATE BEAM GUARD RAIL AND TRAFFIC BARRIER TERMINAL, OF THE TYPE SPECIFIED WILL BE PAID FOR SEPARATELY.

DETAILS FOR DEPRESSED CURB & GUTTER AND SHOULDER TREATMENT AT TBT TY 1 SPL

TBT = TRAFFIC BARRIER TERMINAL

ALL DIMENSIONS ARE IN INCHES (MILLIMETERS) UNLESS OTHERWISE SHOWN.

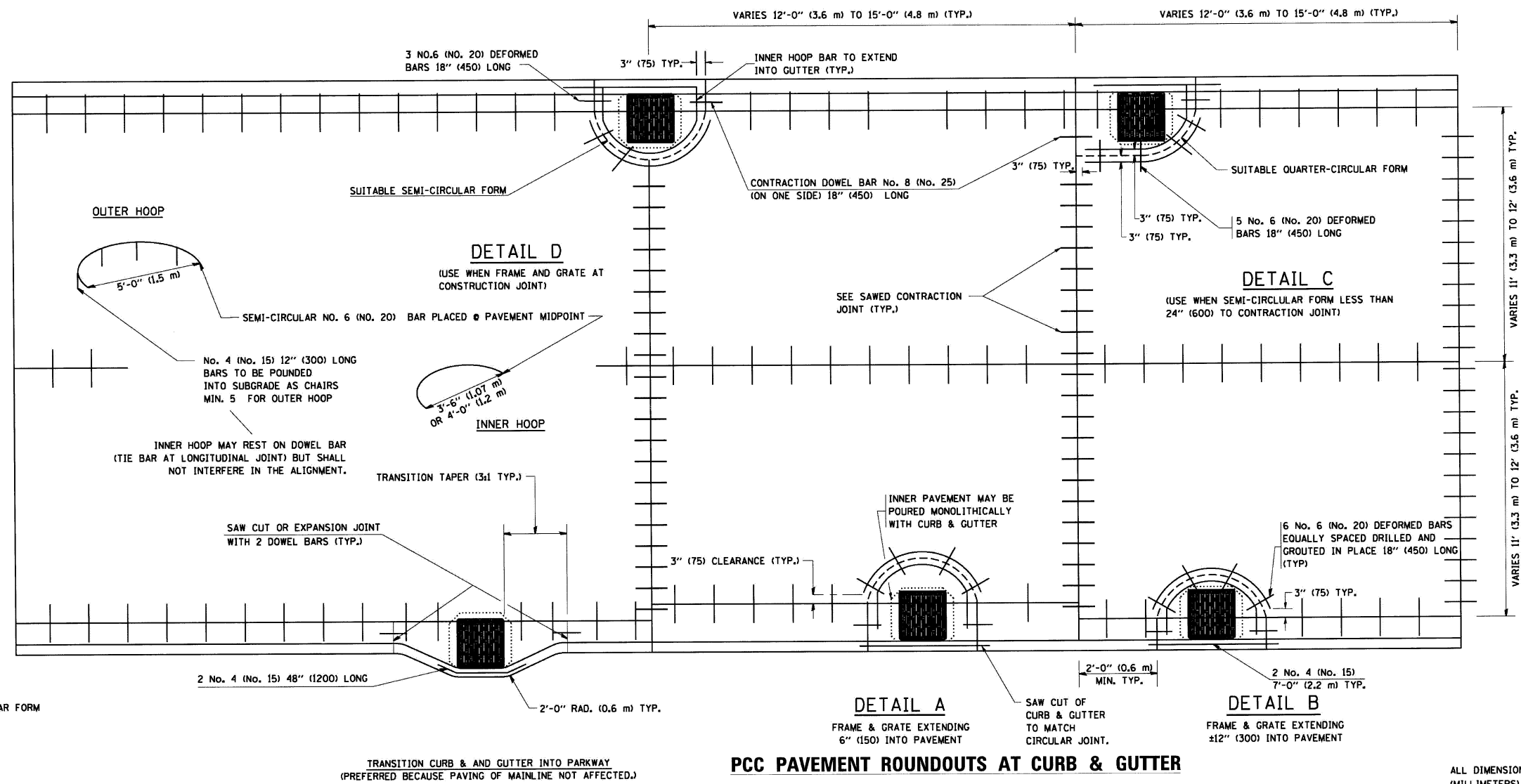
FILE NAME =	USER NAME = #USER#	DESIGNED - SEW	REVISED -	STATE OF ILLINOIS DEPARTMENT OF TRANSPORTATION	DISTRICT 1 STANDARDS IL ROUTE 62 (ALGONQUIN ROAD) OVER SALT CREEK			F.A.P. RTE.	SECTION	COUNTY	TOTAL SHEETS	SHEET NO.	
*FILE#		DRAWN - SEW	REVISED -		SCALE: N.T.S.	SHEET NO. 5 OF 12 SHEETS	STA.	TO STA.	339	116-Y-2-BR-1	COOK	74	64
		CHECKED - FML	REVISED -							BD-34			
		DATE - 2/2010	REVISED -										
								CONTRACT NO. 60J00					
								FED. ROAD DIST. NO. ILLINOIS FED. AID PROJECT					

FRAME EXTENSION INTO PAVEMENT	INNER HOOP REINFORCEMENT DIAMETER	SEMI CIRCULAR FORM DIAMETER	OUTER HOOP REINFORCEMENT DIAMETER
UP TO 8" (200)	3'-6" (1.1 m)	4'-0" (1.2 m)	5'-0" (1.5 m)
> 8" (200) TO 14" (360)	4'-0" (1.2 m)	4'-6" (1.4 m)	5'-0" (1.5 m)

DESIGNER NOTE:
THIS DETAIL IS TO BE USED WHEN THE GUTTER FLAG IS LESS THAN 24"

NOTES:

- THE ROUNDOUT AND ADDED REINFORCEMENT WILL NOT BE PAID SEPARATELY, BUT SHALL BE INCLUDED IN THE CONTRACT UNIT PRICE FOR THE PAVEMENT.
- TRANSVERSE JOINTS MAY BE MOVED TO ACCOMMODATE ROUNDOUT, EDGE OF CIRCULAR JOINT SHALL BE MINIMUM 12" (300) FROM TRANSVERSE JOINT. RELOCATED TRANSVERSE JOINT SHALL BE CONTINUOUS FROM EDGE OF PAVEMENT TO EDGE OF PAVEMENT.
- SEMI-CIRCULAR FORM SHALL BE REMOVED PRIOR TO DRILL AND GROUT OF TIE BARS.
- ALL REINFORCED BARS SHALL BE EPOXY COATED.
- DRILL AND GROUT IS PREFERRED, HOWEVER TIE BARS CAN BE POURED IN PLACE IF CLEARANCE IS PROVIDED TO OUTER EDGE OF FRAME. MINIMUM 2" (50) CLEARANCE.
- WOOD SHIMS SHALL BE USED TO ADJUST ALL FRAMES. AFTER ADJUSTING MORTAR HAS CURED, THE WOOD SHIMS SHALL BE REMOVED AND THE VOIDS UNDER THE FRAMES FILLED WITH NON SHRINK GROUT.
- HOOP REINFORCEMENT SHALL BE ONE PIECE CONSTRUCTION.
- CIRCULAR FRAMES AND GRATES MAY BE SUBSTITUTED.
- CURB DOWELS MUST BE PLACED LEVEL & TRUE TO ALLOW CONTRACTION MOVEMENT.

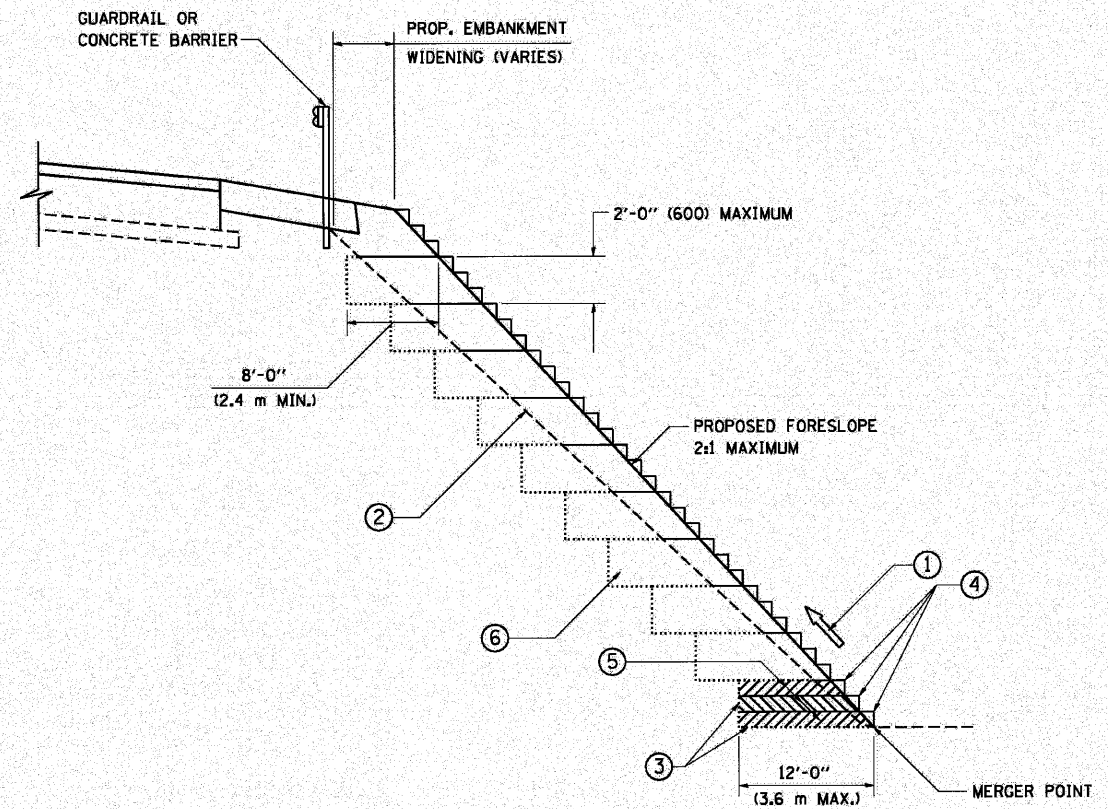


LEGEND:
 CASTING
 - - - - - SUITABLE SEMI-CIRCULAR FORM

PCC PAVEMENT ROUNDOUTS AT CURB & GUTTER

ALL DIMENSIONS ARE IN INCHES (MILLIMETERS) UNLESS OTHERWISE NOTED

FILE NAME =	USER NAME = #USER#	DESIGNED - SEW	REVISED -	STATE OF ILLINOIS DEPARTMENT OF TRANSPORTATION	DISTRICT 1 STANDARDS IL ROUTE 62 (ALGONQUIN ROAD) OVER SALT CREEK			F.A.P. RTE. 339	SECTION 116-Y-2-BR-1	COUNTY COOK	TOTAL SHEETS 74	SHEET NO. 65
#FILE#		DRAWN - SEW	REVISED -		SCALE: N.T.S.	SHEET NO. 6 OF 12 SHEETS	STA. TO STA.	BD-48		CONTRACT NO. 60J00		
		CHECKED - FML	REVISED -									
		DATE - 2/2010	REVISED -									



**TYPICAL BENCHING DETAIL
FOR EMBANKMENT**

NOTES:

- ① CONSTRUCT SUCCEEDING BENCH CUTS AND EMBANKMENT PLACEMENT AND COMPACTION FROM BOTTOM TO TOP IN STAIRSTEP FASHION.
- ② EXISTING FORESLOPE PREPARED IN ACCORDANCE WITH ARTICLE 205.03 OF THE STANDARD SPECIFICATIONS.
- ③ BENCH CUT EXISTING SLOPE TYPICAL FOR EACH STEP.
- ④ TRIM TO FINAL SLOPE.
- ⑤ EQUAL 8-INCH (200) LIFTS OF EMBANKMENT COMPACTED IN ACCORDANCE WITH ARTICLE 205.05 OF THE STANDARD SPECIFICATIONS.
- ⑥ EXCAVATION OF BENCH CUTS WITHIN EXISTING EMBANKMENT WILL BE PAID FOR AT THE CONTRACT UNIT PRICE PER CUBIC METER OR CUBIC YARD FOR "EARTH EXCAVATION". THIS PRICE WILL INCLUDE ALL LABOR AND MATERIAL, NO ADDITIONAL COMPENSATION WILL BE ALLOWED.
- ⑦ SLOPES SHALL BE BENCHED ACCORDING TO THIS DETAIL WHEN THE SLOPE IS STEEPER THAN 4:1 AND THE HEIGHT IS GREATER THAN 5' (1.5 m).

BENCHING DETAIL FOR EMBANKMENT WIDENING

ALL DIMENSIONS ARE IN INCHES (MILLIMETERS) UNLESS OTHERWISE SHOWN.

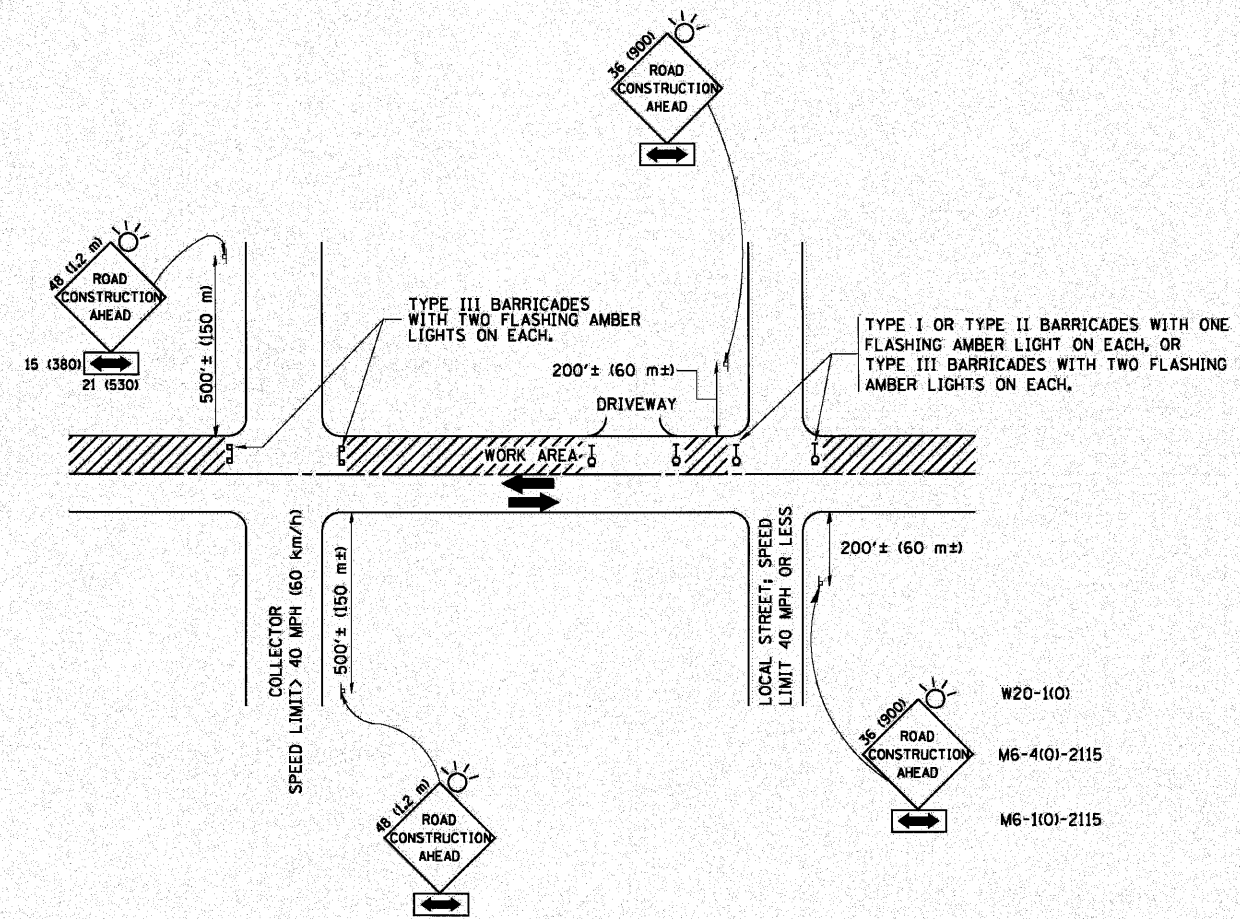
FILE NAME = \$FILEL\$	USER NAME = \$USER\$	DESIGNED - SEW	REVISED -
		DRAWN - SEW	REVISED -
		CHECKED - FML	REVISED -
		DATE - 2/2010	REVISED -

**STATE OF ILLINOIS
DEPARTMENT OF TRANSPORTATION**

**DISTRICT 1 STANDARDS
IL ROUTE 62 (ALGONQUIN ROAD) OVER SALT CREEK**

SCALE: N.T.S. SHEET NO. 7 OF 12 SHEETS STA. TO STA.

F.A.P. RTE.	SECTION	COUNTY	TOTAL SHEETS	SHEET NO.
339	116-Y-2-BR-1	COOK	74	66
	BD-51		CONTRACT NO. 60J00	
FED. ROAD DIST. NO. ILLINOIS FED. AID PROJECT				



NOTES:

A. FOR NO LANE RESTRICTION ON THE SIDE ROAD OR DRIVEWAYS

1. SIDE ROAD WITH A SPEED LIMIT OF 40 MPH (60 km/h) OR LESS AS SHOWN ON THE DRAWING AND AS DIRECTED BY THE ENGINEER:
 - a) ONE ROAD CONSTRUCTION AHEAD SIGN 36 x 36 (900x900) WITH A FLASHER AND FLAG MOUNTED ON IT APPROXIMATELY 200' (60 m) IN ADVANCE OF THE MAIN ROUTE.
 - b) THE CLOSED PORTION OF THE MAIN ROUTE SHALL BE PROTECTED BY BLOCKING WITH TYPE I, TYPE II OR TYPE III BARRICADES, 1/3 OF THE CROSS SECTION OF THE CLOSED PORTION.
2. SIDE ROAD WITH A SPEED LIMIT GREATER THAN 40 MPH (60 km/h) AS SHOWN ON THE DRAWING AND AS DIRECTED BY THE ENGINEER:
 - a) ONE ROAD CONSTRUCTION AHEAD SIGN 48 x 48 (1.2 m x 1.2 m) WITH A FLASHER MOUNTED ON IT APPROXIMATELY 500' (150 m) IN ADVANCE OF THE MAIN ROUTE.
 - b) THE CLOSED PORTION OF THE MAIN ROUTE SHALL BE PROTECTED BY BLOCKING WITH TYPE III BARRICADES, 1/2 OF THE CROSS SECTION OF THE CLOSED PORTION.
3. WHEN THE SIDE ROAD LIES BETWEEN THE BEGINNING OF THE MAINLINE SIGNING AND THE WORK ZONE, A SINGLE HEADED ARROW (M6-1) SHALL BE USED IN LIEU OF THE DOUBLE HEADED ARROW (M6-4).

B. FOR A LANE CLOSURE ON A SIDE ROAD OR DRIVEWAY:

USE APPLICABLE PORTIONS OF THE TYPICAL APPLICATION OF TRAFFIC CONTROL DEVICES (STD. T01501, STD. T01606 OR THE APPROPRIATE STANDARD). THE SPACING OF SIGNS AND BARRICADES SHALL BE ADJUSTED FOR FIELD CONDITIONS AS DIRECTED BY THE ENGINEER. THE DIRECTIONAL ARROW SHALL BE COVERED OR REMOVED WHEN NO LONGER CONSISTENT WITH THE SIDE ROAD LANE CLOSURE.

C. ADVANCE WARNING SIGNS ARE TO BE OMITTED ON DRIVEWAY UNLESS OTHERWISE NOTED.

D. THE TRAFFIC CONTROL AND PROTECTION FOR SIDE ROADS, INTERSECTIONS, AND DRIVEWAYS SHALL BE INCIDENTAL TO THE COST OF SPECIFIED TRAFFIC CONTROL STANDARDS OR ITEMS.

TRAFFIC CONTROL AND PROTECTION FOR SIDE ROADS, INTERSECTIONS AND DRIVEWAYS

All dimensions are in millimeters (inches) unless otherwise shown.

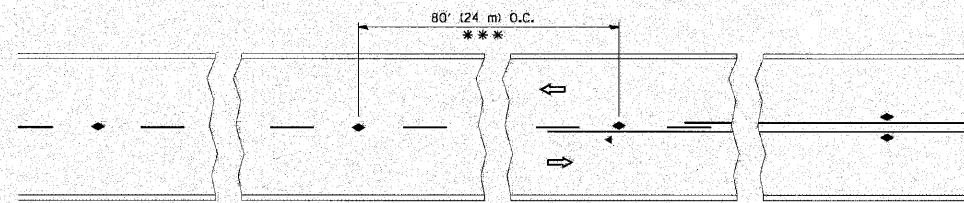
FILE NAME =	USER NAME = #USER*	DESIGNED - SEW	REVISED -
#FILE#		DRAWN - SEW	REVISED -
	PLOT SCALE = #SCALE*	CHECKED - FML	REVISED -
	PLOT DATE = #DATE*	DATE - 2/2010	REVISED -

STATE OF ILLINOIS
DEPARTMENT OF TRANSPORTATION

DISTRICT 1 STANDARDS
IL ROUTE 62 (ALGONQUIN ROAD) OVER SALT CREEK

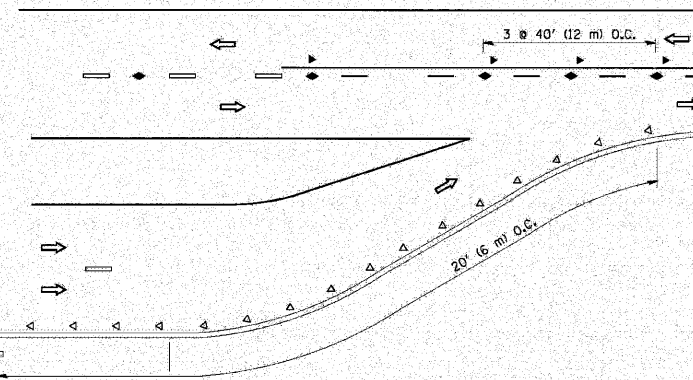
SCALE: N.T.S. SHEET NO. 8 OF 12 SHEETS STA. TO STA.

F.A.P. RTG.	SECTION	COUNTY	TOTAL SHEETS	SHEET NO.
339	116-Y-2-BR-1	COOK	74	67
	TC-10		CONTRACT NO. 60J00	
FED. ROAD DIST. NO. ILLINOIS FED. AID PROJECT				

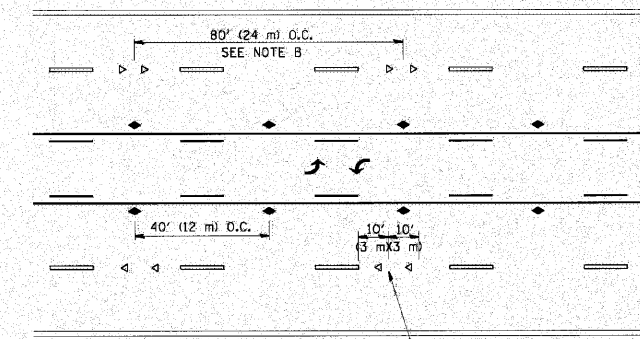


*** REDUCE TO 40' (12 m) O.C. ON CURVES WITH POSTED OR ADVISORY SPEED 45 M.P.H. (70 km/h) OR LESS.

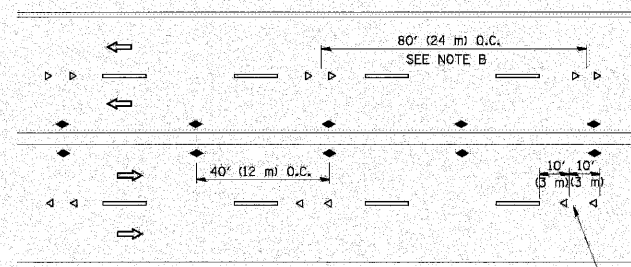
TWO-LANE/TWO-WAY



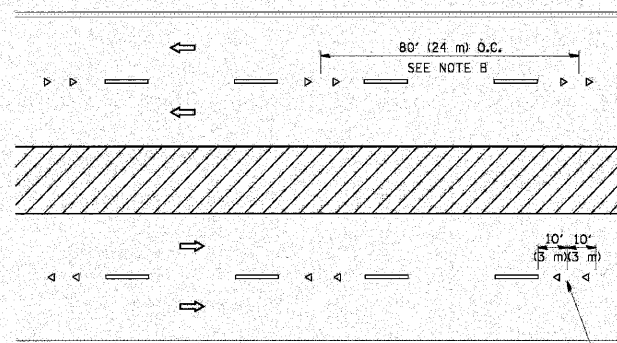
LANE REDUCTION TRANSITION



TWO-WAY LEFT TURN



MULTI-LANE/UNDIVIDED



MULTI-LANE/DIVIDED

GENERAL NOTES

1. MARKERS USED WITH DASHED LINES SHALL BE CENTERED IN THE GAP BETWEEN SEGMENTS.
2. MARKERS USED ADJACENT TO SOLID LINES SHALL BE OFFSET 2 TO 3 (50 TO 75) TOWARD TRAFFIC AS SHOWN.
3. MARKERS THROUGH TANGENTS LESS THAN 500' (150 m) IN LENGTH BETWEEN CURVES SHALL BE INSTALLED AT THE LESSER OF THE TWO CURVE SPACINGS.

SYMBOLS

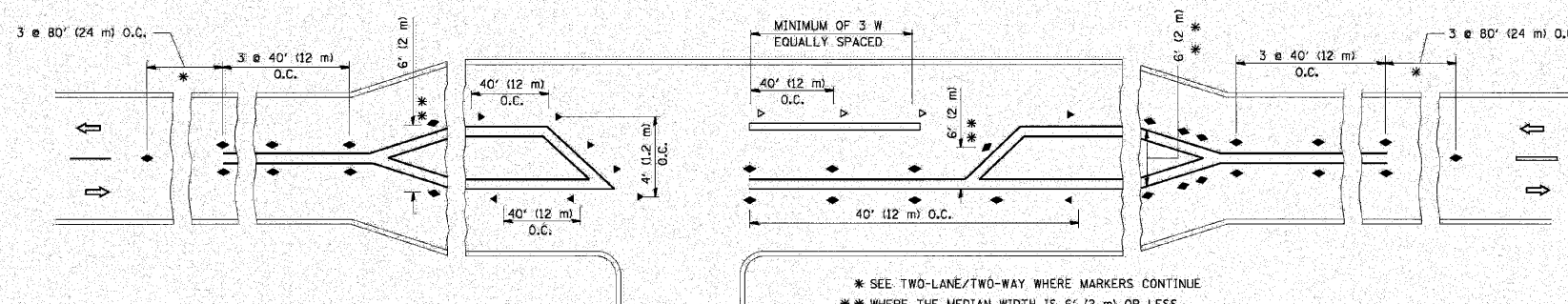
- YELLOW STRIPE
- WHITE STRIPE
- ◀ ONE-WAY AMBER MARKER
- ◁ ONE-WAY CRYSTAL MARKER (W/O)
- ◆ TWO-WAY AMBER MARKER

LANE MARKER NOTES

- A. USE DOUBLE LANE LINE MARKERS SPACED AS SHOWN.
- B. REDUCE TO 40' (12 m) O.C. ON CURVES WHERE ADVISORY SPEEDS ARE 10 M.P.H. (20 km/h) LOWER THAN POSTED SPEEDS.

DESIGN NOTES

1. DOUBLE LANE LINE MARKERS SHALL BE USED UNLESS SPECIFIED OTHERWISE.
2. EXCEPT AS SHOWN ON THE LANE REDUCTION TRANSITION AND FREEWAY EXIT RAMP DETAIL, MARKERS ARE NOT TO BE SPECIFIED ON RIGHT EDGE LINES.
3. THE EXACT MARKER LIMITS, SPACING, AND COLOR SHOULD BE INCLUDED IN THE PLANS.
4. MARKERS SHOULD NOT BE USED ALONGSIDE CURBS EXCEPT FOR EXTREMELY SHORT SECTIONS OF CURBS WHERE NOT MORE THAN TWO MARKERS WOULD BE INVOLVED.



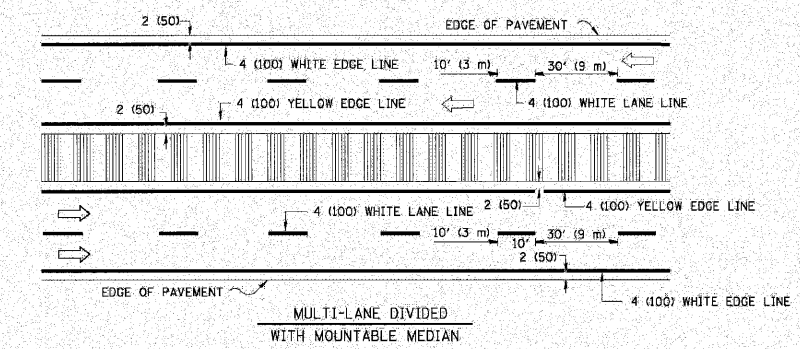
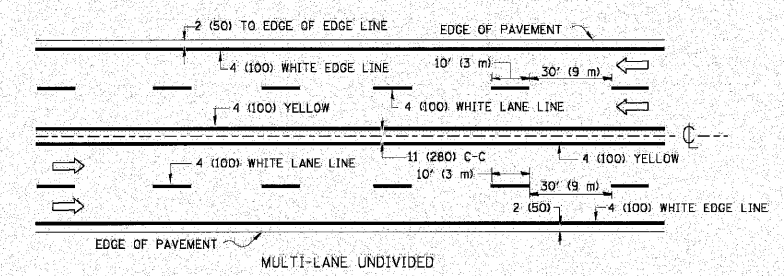
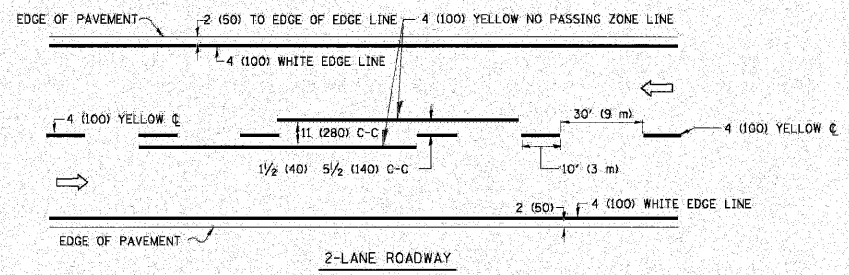
LEFT TURN

* SEE TWO-LANE/TWO-WAY WHERE MARKERS CONTINUE
 ** WHERE THE MEDIAN WIDTH IS 6' (2 m) OR LESS USE TWO-WAY MARKERS.

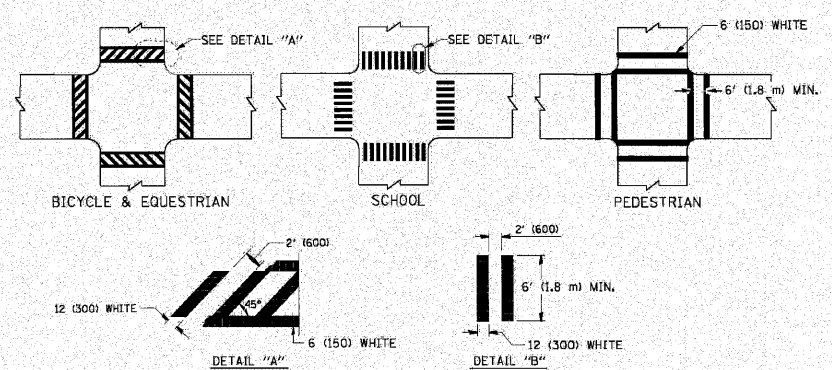
RAISED REFLECTIVE PAVEMENT MARKERS (SNOW PLOW RESISTANT)

All dimensions are in inches (millimeters) unless otherwise shown.

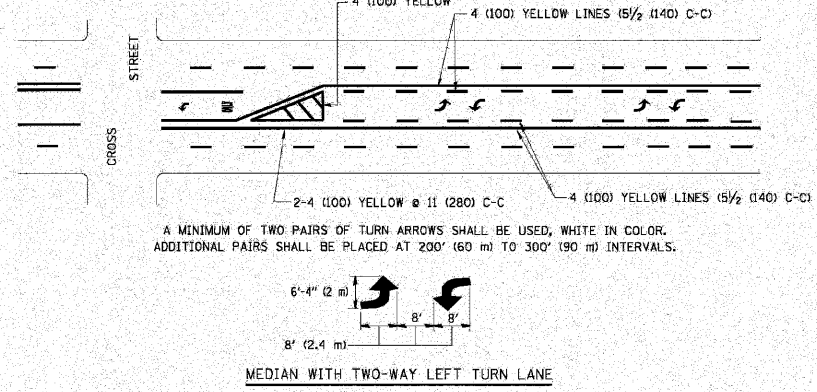
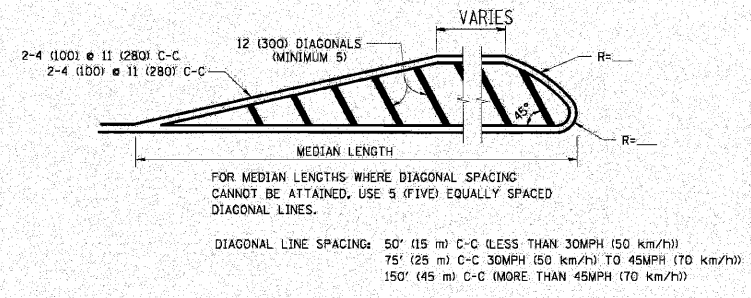
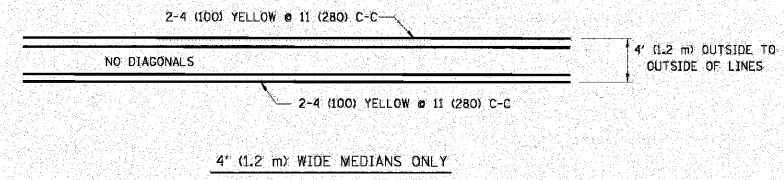
FILE NAME =	USER NAME = #USER#	DESIGNED - SEW	REVISED -	STATE OF ILLINOIS DEPARTMENT OF TRANSPORTATION	DISTRICT 1 STANDARDS IL ROUTE 62 (ALGONQUIN ROAD) OVER SALT CREEK			F.A.P. RTE.	SECTION	COUNTY	TOTAL SHEETS	SHEET NO.	
#FILE#		DRAWN - SEW	REVISED -		SCALE: N.T.S.	SHEET NO. 9 OF 12 SHEETS	STA.	TO STA.	339	116-Y-2-BR-1	COOK	74	68
		CHECKED - FML	REVISED -						CONTRACT NO. 60J00				
		DATE - 2/2010	REVISED -						FED. ROAD DIST. NO. [ILLINOIS] FED. AID PROJECT				



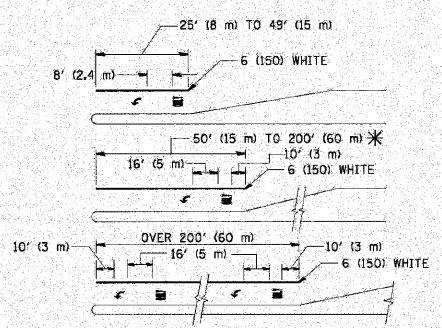
TYPICAL LANE AND EDGE LINE MARKING



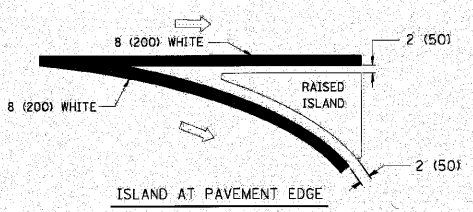
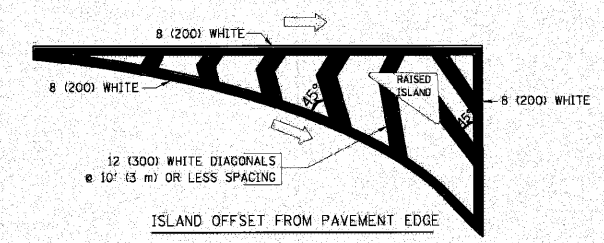
TYPICAL CROSSWALK MARKING



TYPICAL PAINTED MEDIAN MARKING



TYPICAL LEFT (OR RIGHT) TURN LANE MARKING



TYPICAL ISLAND MARKING

TYPE OF MARKING	WIDTH OF LINE	PATTERN	COLOR	SPACING / REMARKS
CENTERLINE ON 2 LANE PAVEMENT	4 (100)	SKIP-DASH	YELLOW	10' (3 m) LINE WITH 30' (9 m) SPACE
CENTERLINE ON MULTI-LANE UNDIVIDED PAVEMENT	2 @ 4 (100)	SOLID	YELLOW	11 (280) C-C
NO PASSING ZONE LINES FOR ONE DIRECTION	4 (100)	SOLID	YELLOW	5/2' (140) C-C FROM SKIP-DASH CENTERLINE
NO PASSING ZONE LINES FOR BOTH DIRECTIONS	2 @ 4 (100)	SOLID	YELLOW	11 (280) C-C OMIT SKIP-DASH CENTERLINE BETWEEN
LANE LINES	4 (100) 6 (126) ON FREEWAYS	SKIP-DASH SKIP-DASH	WHITE WHITE	10' (3 m) LINE WITH 30' (9 m) SPACE
DOTTED LINES (EXTENSIONS OF CENTER, LANE OR TURN LANE MARKINGS)	SAME AS LINE BEING EXTENDED	SKIP-DASH	SAME AS LINE BEING EXTENDED	2' (600) LINE WITH 6' (1.8 m) SPACE
EDGE LINES	4 (100)	SOLID	YELLOW-LEFT WHITE-RIGHT	OUTLINE MOUNTABLE MEDIANS IN YELLOW. EDGE LINES ARE NOT USED NEXT TO BARRIER CURB
TURN LANE MARKINGS	6 (150) LINE; FULL SIZE LETTERS & SYMBOLS (8' (2.4m))	SOLID	WHITE	SEE TYPICAL TURN LANE MARKING DETAIL
TWO-WAY LEFT TURN MARKING	2 @ 4 (100) 8' (2.4m) LEFT ARROW	SKIP-DASH AND SOLID IN PAIRS	YELLOW WHITE	10' (3 m) LINE WITH 30' (9 m) SPACE FOR SKIP-DASH; 6/2' (140) C-C BETWEEN SOLID LINE AND SKIP-DASH LINE SEE TYPICAL TWO-WAY LEFT TURN MARKING DETAIL
CROSSWALK LINES (PEDESTRIAN) A. DIAGONALS (BIKE & EQUESTRIAN) B. LONGITUDINAL BARS (SCHOOL)	2 @ 6 (150) 12 (300) @ 45° 12 (300) @ 90°	SOLID SOLID SOLID	WHITE WHITE WHITE	NOT LESS THAN 6' (1.8 m) APART 2' (600) APART 2' (600) APART SEE TYPICAL CROSSWALK MARKING DETAILS.
STOP LINES	24 (600)	SOLID	WHITE	PLACE 4' (1.2 m) IN ADVANCE OF AND PARALLEL TO CROSSWALK. IF PRESENT, OTHERWISE, PLACE AT DESIRED STOPPING POINT. PARALLEL TO CROSSROAD CENTERLINE, WHERE POSSIBLE
PAINTED MEDIANS	2 @ 4 (100) WITH 12 (300) DIAGONALS @ 45° NO DIAGONALS USED FOR 4' (1.2 m) WIDE MEDIANS	SOLID	YELLOW; TWO WAY TRAFFIC WHITE; ONE WAY TRAFFIC	11 (280) C-C FOR THE DOUBLE LINE SEE TYPICAL PAINTED MEDIAN MARKING.
CORE MARKING AND CHANNELIZING LINES	8 (200) WITH 12 (300) DIAGONALS @ 45°	SOLID	WHITE	DIAGONALS: 15' (4.5 m) C-C (LESS THAN 30MPH (50 km/h)) 20' (6 m) C-C (30 MPH (50 km/h) TO 45MPH (70 km/h)) 30' (9 m) C-C (OVER 45MPH (70 km/h))
RAILROAD CROSSING	24 (600) TRANSVERSE LINES; "RR" IS 6' (1.8 m) LETTERS; 16 (400) LINE FOR "X"	SOLID	WHITE	SEE STATE STANDARD 780001 AREA OF: "R"=3.6 SQ. FT. (0.33 m ²) EACH "X"=54.0 SQ. FT. (5.0 m ²)
SHOULDER DIAGONALS	12 (300) @ 45°	SOLID	WHITE - RIGHT YELLOW - LEFT	50' (15 m) C-C (LESS THAN 30MPH (50 km/h)) 75' (25 m) C-C (30 MPH (50 km/h) TO 45MPH (70 km/h)) 150' (45 m) C-C (OVER 45MPH (70 km/h))

FOR FURTHER DETAILS ON PAVEMENT MARKING REFER TO STANDARD SPECIFICATIONS FOR ROAD AND BRIDGE CONSTRUCTION AND STATE STANDARD 780001.

All dimensions are in inches (millimeters) unless otherwise shown.

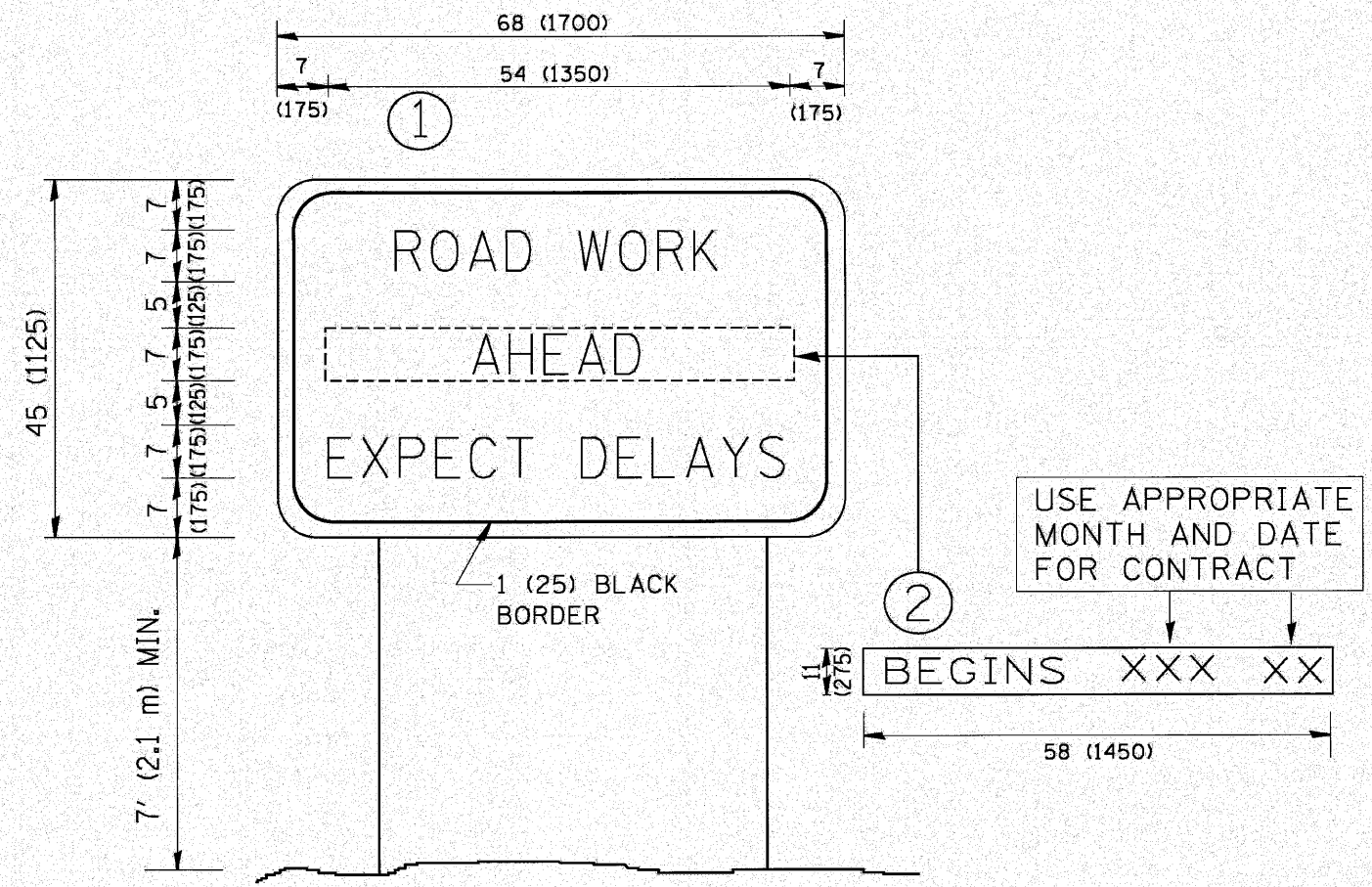
DISTRICT ONE TYPICAL PAVEMENT MARKINGS

STATE OF ILLINOIS
DEPARTMENT OF TRANSPORTATION

DISTRICT 1 STANDARDS
IL ROUTE 62 (ALGONQUIN ROAD) OVER SALT CREEK
SCALE: N.T.S. SHEET NO. 10 OF 12 SHEETS STA. TO STA.

F.A.P. RTE.	SECTION	COUNTY	TOTAL SHEETS	SHEET NO.
339	116-Y-2-BR-1	COOK	74	69
TC-13		CONTRACT NO. 60J00		
FED. ROAD DIST. NO. ILLINOIS FED. AID PROJECT				

FILE NAME =	USER NAME =	DESIGNED -	REVISED -
#FILEL#	#USER#	SEW	-
		DRAWN -	REVISED -
		SEW	-
		CHECKED -	REVISED -
		FML	-
		DATE -	REVISED -
		2/2010	-



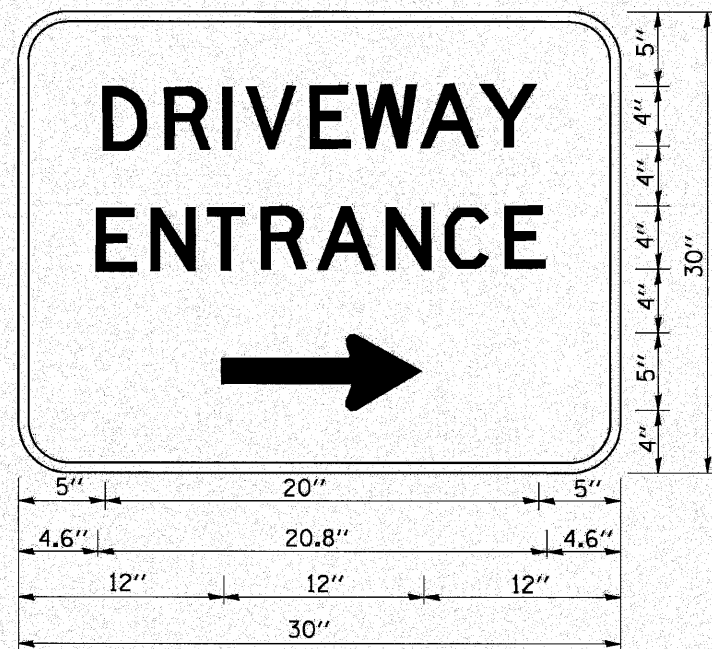
NOTES:

1. USE BLACK LETTERING ON ORANGE BACKGROUND.
2. ERECT SIGNS IN ADVANCE OF THE LOCATION FOR THE "ROAD CONSTRUCTION AHEAD" SIGN AT LOCATIONS AS DIRECTED BY THE ENGINEER.
3. ERECT SIGN ① WITH INSTALLED PANEL ② ONE WEEK PRIOR TO THE START OF CONSTRUCTION.
4. REMOVE PANEL ② SOON AFTER THE START OF CONSTRUCTION.
5. SEE SPECIAL PROVISION FOR "TEMPORARY INFORMATION SIGNING" FOR ADDITIONAL INFORMATION.
6. ONE SIGN ASSEMBLY EQUALS 25.70 SQ. FT. (2.3 SQ. M.)
7. SHALL BE PAID FOR AS TEMPORARY INFORMATION SIGNING.

ARTERIAL ROAD INFORMATION SIGN

ALL DIMENSIONS ARE IN INCHES (MILLIMETERS) UNLESS OTHERWISE SHOWN.

FILE NAME =	USER NAME = #USER#	DESIGNED - SEW	REVISED -	STATE OF ILLINOIS DEPARTMENT OF TRANSPORTATION	DISTRICT 1 STANDARDS IL ROUTE 62 (ALGONQUIN ROAD) OVER SALT CREEK	F.A.P. RTE.	SECTION	COUNTY	TOTAL SHEETS	SHEET NO.	
*FILEL#		DRAWN - SEW	REVISED -			339	116-Y-2-BR-1	COOK	74	70	
		CHECKED - FML	REVISED -			TC-22		CONTRACT NO. 60J00			
		DATE - 2/2010	REVISED -			FED. ROAD DIST. NO. ILLINOIS FED. AID PROJECT					
				SCALE: N.T.S.		SHEET NO. 11 OF 12 SHEETS		STA.		TO STA.	



3.0" RADIUS, 0.5" BORDER, WHITE ON GREEN; REFLECTORIZED
 "DRIVEWAY" D; "ENTRANCE" D; STANDARD ARROW CUSTOM 12.0" x 5.0"

NOTES:

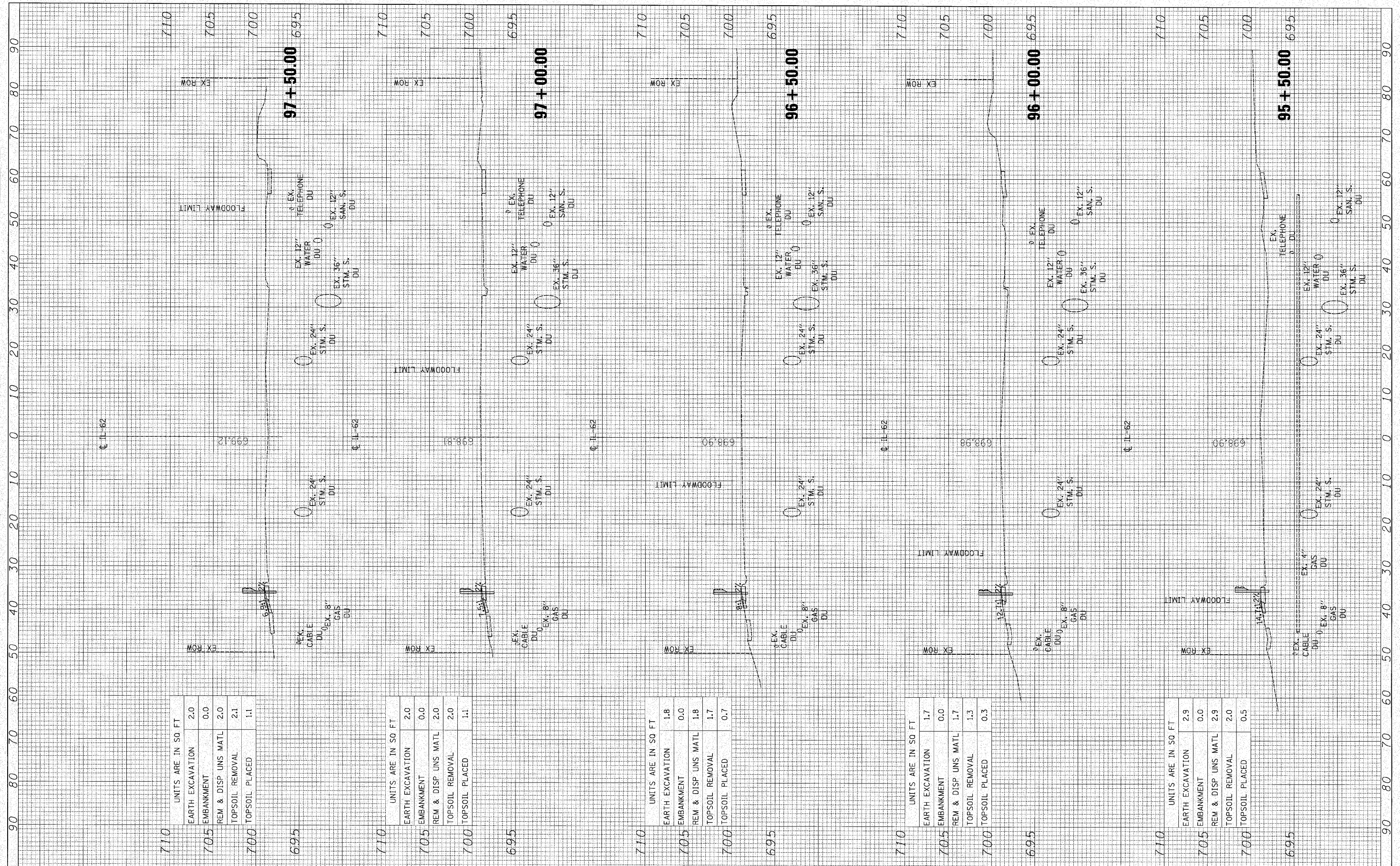
1. HALF OF THE SIGNS WILL REQUIRE A LEFT HAND FACING ARROW.
2. TWO SIGNS SHALL BE USED AT EACH COMMERCIAL ENTRANCE
 PLACED BACK-TO-BACK: ONE WITH A RIGHT HAND ARROW (SHOWN)
 SHALL BE PLACED ON THE NEAR RIGHT SIDE THE DRIVEWAY
 AND ONE WITH A LEFT HAND ARROW SHALL BE PLACED ON THE
 FAR LEFT SIDE OF THE DRIVEWAY.
3. SIGNS TO BE PAID FOR AS ITEM "TEMPORARY INFORMATION SIGNING".

DRIVEWAY ENTRANCE SIGNING

FILE NAME =	USER NAME = #USER#	DESIGNED - SEW	REVISED -	STATE OF ILLINOIS DEPARTMENT OF TRANSPORTATION	DISTRICT 1 STANDARDS		F.A.P. RTE.	SECTION	COUNTY	TOTAL SHEETS	SHEET NO.
#FILE#		DRAWN - SEW	REVISED -		IL ROUTE 62 (ALGONQUIN ROAD) OVER SALT CREEK		339	116-Y-2-BR-1	COOK	74	71
		CHECKED - FML	REVISED -		SCALE: N.T.S.	SHEET NO. 12 OF 12 SHEETS	STA.	TC-26	CONTRACT NO. 60J00		
		DATE - 2/2010	REVISED -				FED. ROAD DIST. NO. ILLINOIS FED. AID PROJECT				

FINAL SURVEY BY DATE
 SURVEYED SURVEY TEMPLATE AREAS CHECKED
 NOTE BOOK NO. AREAS CHECKED

ORIGINAL SURVEY BY DATE
 SURVEYED SURVEY TEMPLATE AREAS CHECKED
 NOTE BOOK NO. AREAS CHECKED



97+50.00

UNITS ARE IN SQ. FT.	
EARTH EXCAVATION	2.0
EMBANKMENT	0.0
REM & DISP UNS MATL	2.0
TOPSOIL REMOVAL	2.1
TOPSOIL PLACED	1.1

96+50.00

UNITS ARE IN SQ. FT.	
EARTH EXCAVATION	2.0
EMBANKMENT	0.0
REM & DISP UNS MATL	2.0
TOPSOIL REMOVAL	2.0
TOPSOIL PLACED	1.1

95+50.00

UNITS ARE IN SQ. FT.	
EARTH EXCAVATION	1.8
EMBANKMENT	0.0
REM & DISP UNS MATL	1.8
TOPSOIL REMOVAL	1.7
TOPSOIL PLACED	0.7

CROSS SECTIONS

UNITS ARE IN SQ. FT.	
EARTH EXCAVATION	1.7
EMBANKMENT	0.0
REM & DISP UNS MATL	1.7
TOPSOIL REMOVAL	1.3
TOPSOIL PLACED	0.3

95+50.00

UNITS ARE IN SQ. FT.	
EARTH EXCAVATION	2.9
EMBANKMENT	0.0
REM & DISP UNS MATL	2.9
TOPSOIL REMOVAL	2.0
TOPSOIL PLACED	0.5

FILE NAME =
 \$FILEL\$

USER NAME = \$USER\$
 PLOT SCALE = \$SCALE\$
 PLOT DATE = \$DATE\$

DESIGNED - ST
 DRAWN - ST
 CHECKED - FML
 DATE - 02/2010

REVISED -
 REVISED -
 REVISED -
 REVISED -

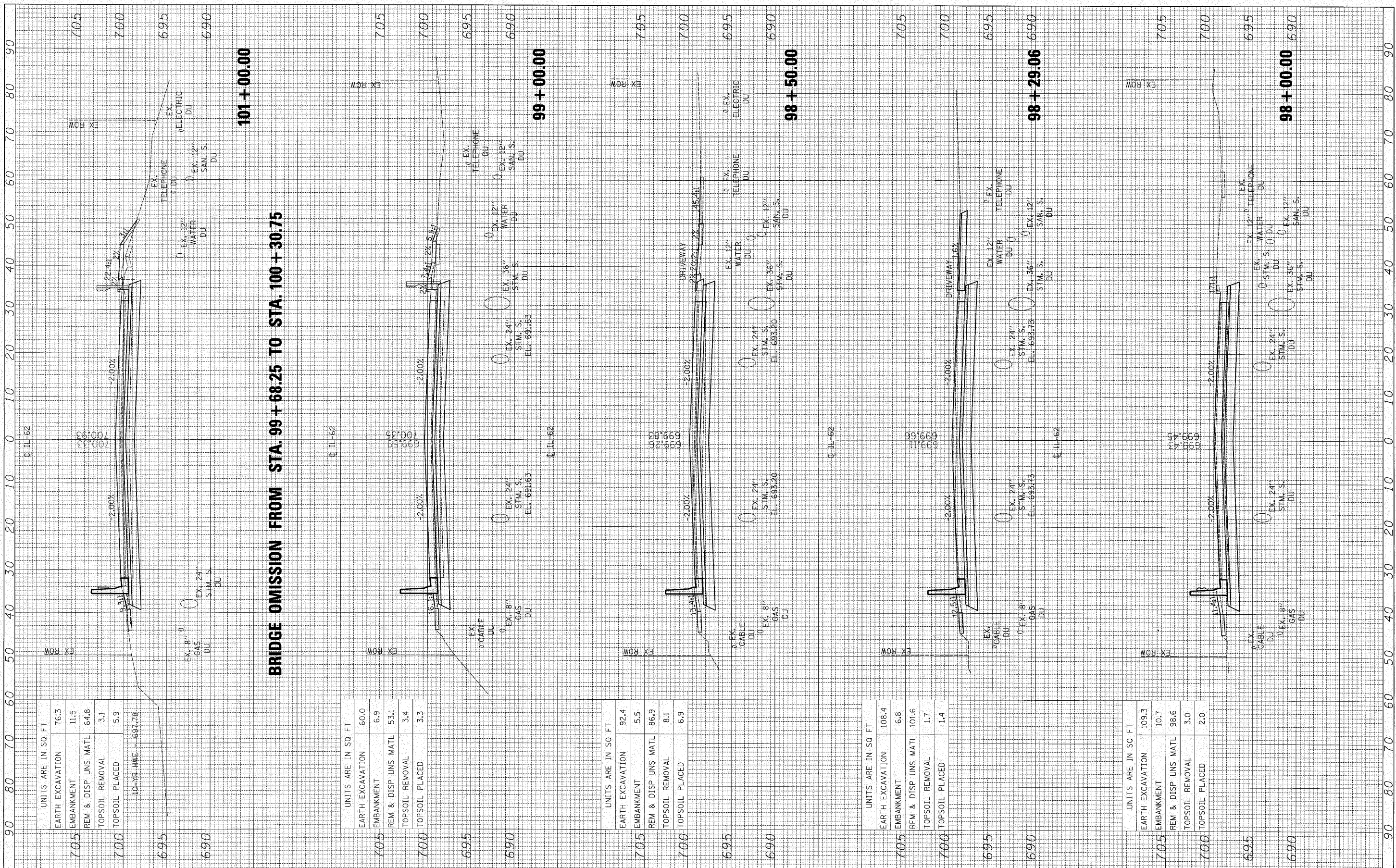
STATE OF ILLINOIS
 DEPARTMENT OF TRANSPORTATION

CROSS SECTIONS
 ILL ROUTE 62 (ALGONQUIN ROAD) OVER SALT CREEK
 SCALE: 1"=5'V, 10'H | SHEET NO. 1 OF 3 SHEETS | STA. 95+50.00 TO STA. 97+50.00

F.A.P. RITE:	SECTION	COUNTY	TOTAL SHEETS	SHEET NO.
339	116-Y-2-BR-1	COOK	74	72
CONTRACT NO. 60J00				
FED. ROAD DIST. NO. ILLINOIS FED. AID PROJECT				

FINAL SURVEY PLOTTED REPLY AREAS CHECKED

ORIGINAL SURVEY PLOTTED REPLY AREAS CHECKED



BRIDGE OMISSION FROM STA. 99+68.25 TO STA. 100+30.75

FILE NAME =	USER NAME = #USER#	DESIGNED - ST	REVISED -	STATE OF ILLINOIS DEPARTMENT OF TRANSPORTATION	CROSS SECTIONS		F.A.P. RTE. 339	SECTION 116-Y-2-BR-1	COUNTY COOK	TOTAL SHEETS 74	SHEET NO. 73	
#FILE#	PLOT SCALE = #SCALE#	DRAWN - ST	REVISED -		SCALE: 1"=5'-V, 10'H	SHEET NO. 2 OF 3 SHEETS	STA. 98+00.00 TO STA. 101+00.00	FED. ROAD DIST. NO.	ILLINOIS FED. AID PROJECT	CONTRACT NO. 60J00		
	PLOT DATE = #DATE#	CHECKED - FML	REVISED -									
		DATE - 02/2010	REVISED -									

UNITS ARE IN SQ FT

EARTH EXCAVATION	76.3
EMBANKMENT	11.5
REM & DISP UNS MATL	64.8
TOPSOIL REMOVAL	3.1
TOPSOIL PLACED	5.9

10-YR HWE - 697.76

UNITS ARE IN SQ FT

EARTH EXCAVATION	60.0
EMBANKMENT	6.9
REM & DISP UNS MATL	53.1
TOPSOIL REMOVAL	3.4
TOPSOIL PLACED	3.3

UNITS ARE IN SQ FT

EARTH EXCAVATION	92.4
EMBANKMENT	5.5
REM & DISP UNS MATL	86.9
TOPSOIL REMOVAL	8.1
TOPSOIL PLACED	6.9

UNITS ARE IN SQ FT

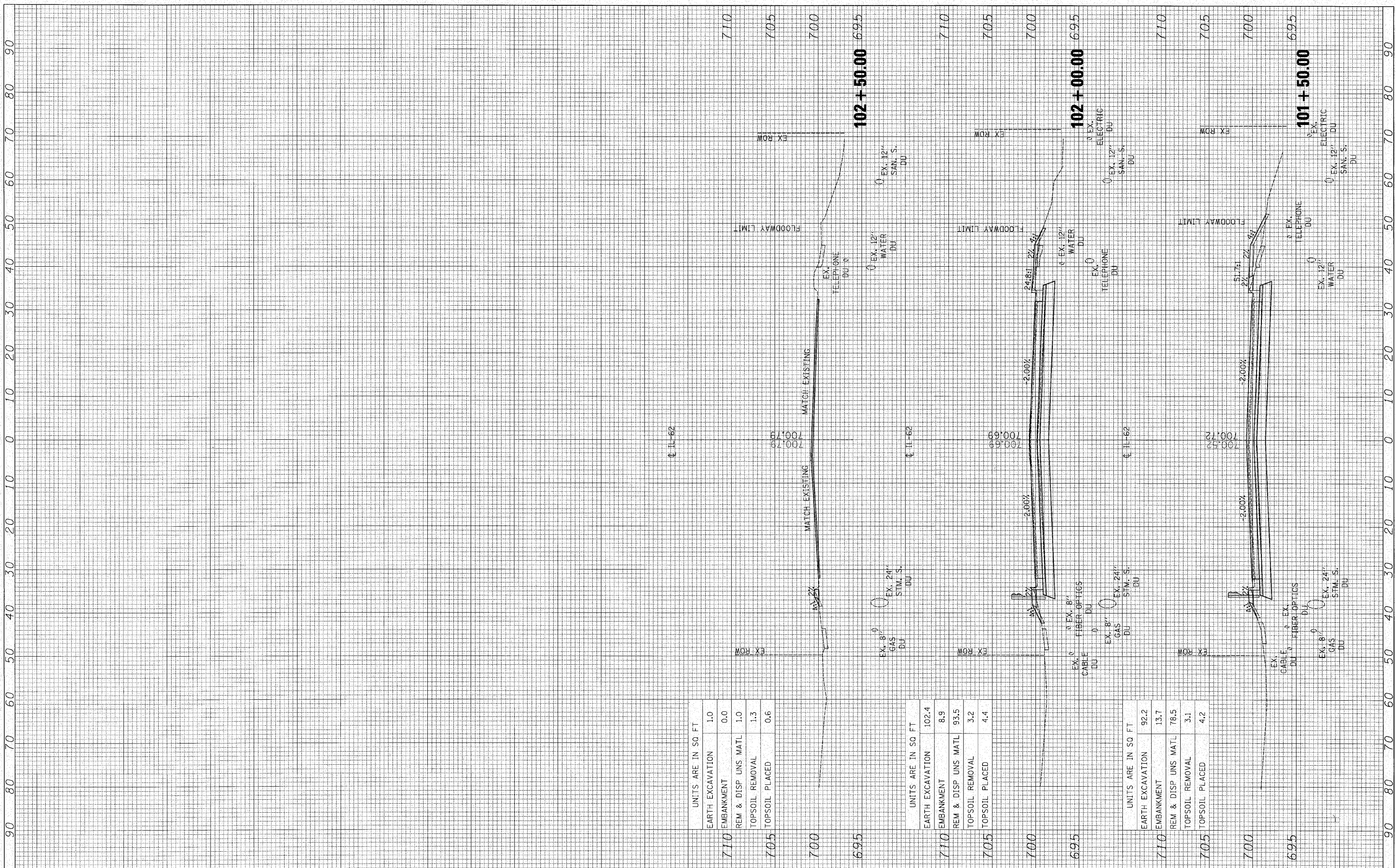
EARTH EXCAVATION	108.4
EMBANKMENT	6.8
REM & DISP UNS MATL	101.6
TOPSOIL REMOVAL	1.7
TOPSOIL PLACED	1.4

UNITS ARE IN SQ FT

EARTH EXCAVATION	109.3
EMBANKMENT	10.7
REM & DISP UNS MATL	98.6
TOPSOIL REMOVAL	3.0
TOPSOIL PLACED	2.0

FINAL SURVEY NO.	SURVEYED PLOTTED AREAS CHECKED	BY	DATE

ORIGINAL SURVEY NO.	PLOTTED TEMPLATE AREAS CHECKED	BY	DATE



UNITS ARE IN SQ FT	
EARTH EXCAVATION	1.0
EMBANKMENT	0.0
REM & DISP UNS MATL	1.0
TOPSOIL REMOVAL	1.3
TOPSOIL PLACED	0.6

UNITS ARE IN SQ FT	
EARTH EXCAVATION	102.4
EMBANKMENT	8.9
REM & DISP UNS MATL	93.5
TOPSOIL REMOVAL	3.2
TOPSOIL PLACED	4.4

UNITS ARE IN SQ FT	
EARTH EXCAVATION	92.2
EMBANKMENT	13.7
REM & DISP UNS MATL	78.5
TOPSOIL REMOVAL	3.1
TOPSOIL PLACED	4.2

FILE NAME =
#FILE.#

USER NAME = #USER#
DESIGNED - ST
DRAWN - ST
CHECKED - FML
DATE - 02/2010

REVISED -
REVISED -
REVISED -
REVISED -

**STATE OF ILLINOIS
DEPARTMENT OF TRANSPORTATION**

**CROSS SECTIONS
IL ROUTE 62 (ALGONQUIN ROAD) OVER SALT CREEK**

SCALE: 1"=5'V, 10'H SHEET NO. 3 OF 3 SHEETS STA. 101+50.00 TO STA. 112+50.00

F.A.P. RTE. 339	SECTION 116-Y-2-BR-1	COUNTY COOK	TOTAL SHEETS 74	SHEET NO. 74
FED. ROAD DIST. NO.		ILLINOIS FED. AID PROJECT		

CONTRACT NO. 60J00