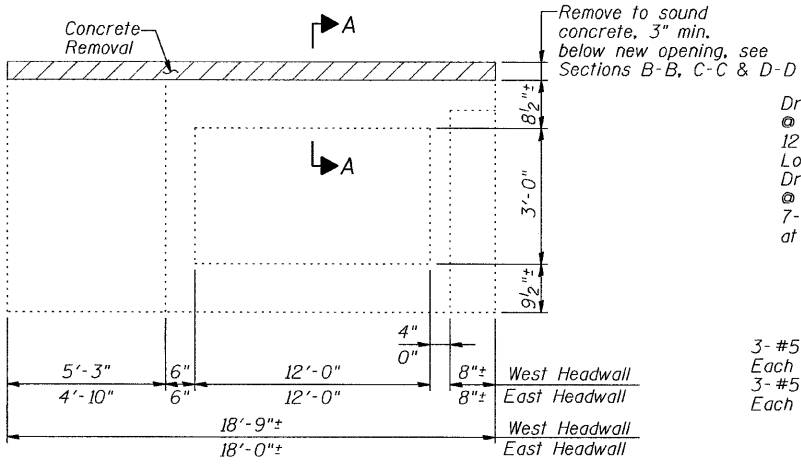
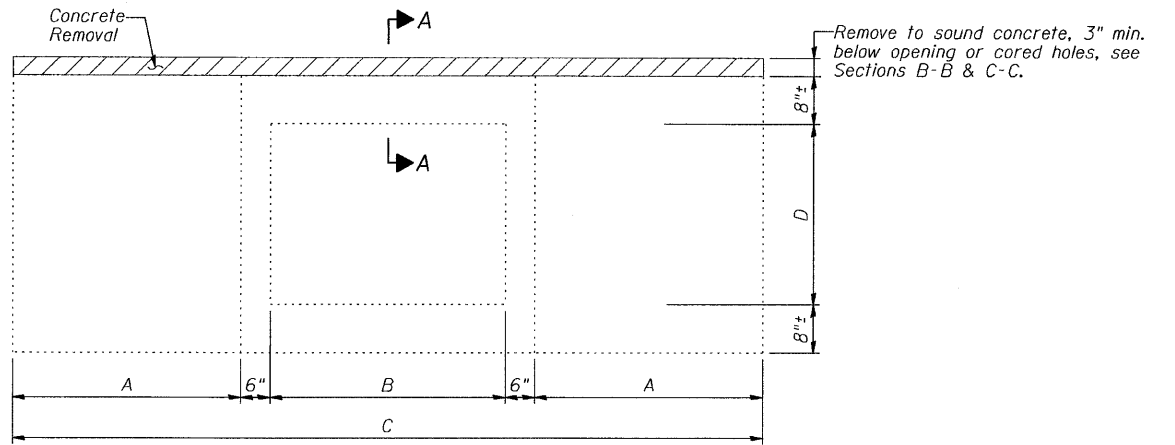
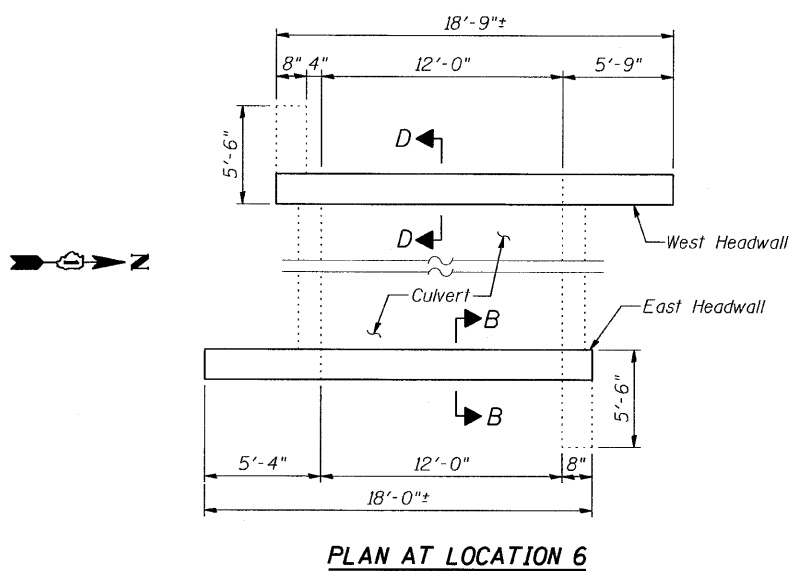
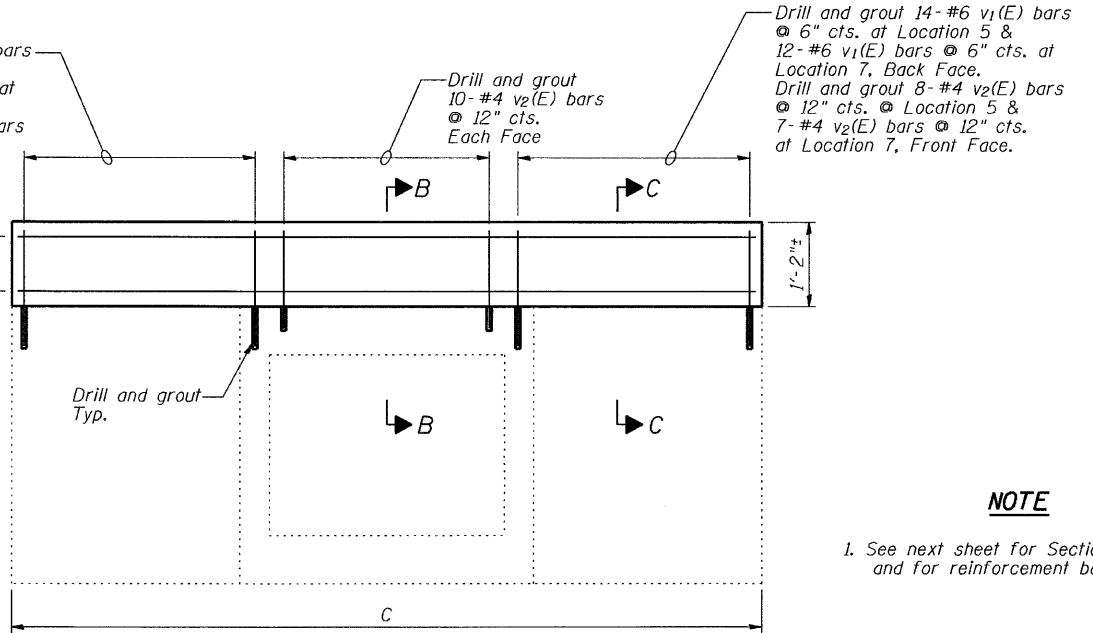


STATE OF ILLINOIS
DEPARTMENT OF TRANSPORTATION



Drill and grout 14-#6 v₁(E) bars @ 6" cts. at Location 5 & 12-#6 v₁(E) bars @ 6" cts. at Location 7, Back Face. Drill and grout 8-#4 v₂(E) bars @ 12" cts. @ Location 5 & 7-#4 v₂(E) bars @ 12" cts. at Location 7, Front Face.

3-#5 h₁(E) @ 6"± cts. Each Face, Location 5 and 3-#5 h₂(E) @ 6" cts. Each Face, Location 7

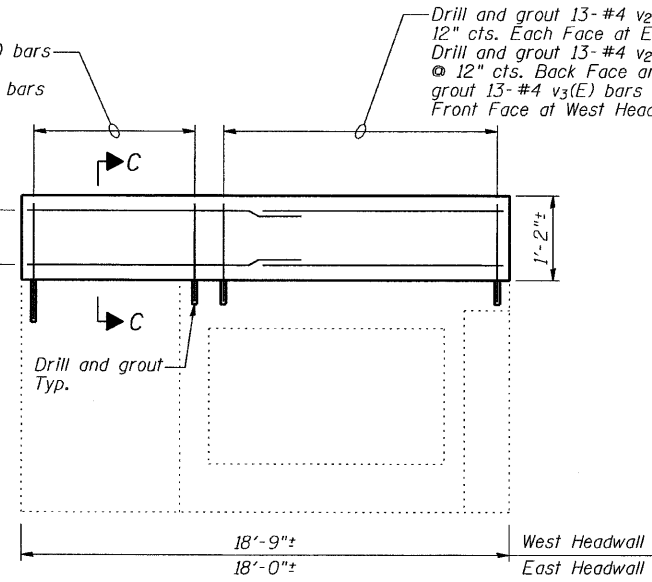


NOTE

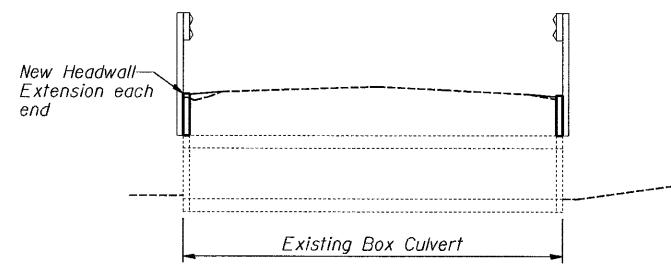
1. See next sheet for Sections A-A thru D-D and for reinforcement bar Bill of Material.

Drill and grout 10-#6 v₁(E) bars @ 6" cts. Back Face. Drill and grout 6-#4 v₂(E) bars @ 12" cts. Front Face. Drill and grout 13-#4 v₂(E) bars @ 12" cts. Each Face at East Headwall. Drill and grout 13-#4 v₂(E) bars @ 12" cts. Back Face and drill and grout 13-#4 v₃(E) bars @ 12" cts. Front Face at West Headwall.

3x2-#5 h₃(E) bars @ 6"± cts. Each Face at East Headwall and Back Face at West Headwall. 5x2-#5 h₃(E) bars @ 6"± cts. Front Face at West Headwall



East Headwall Shown, West Headwall Similar.



DIMENSIONS

Location	Dimension A	Dimension B	Dimension C	Dimension D
5	7'-9"	10'-0"	26'-6"	5'-0"
7	6'-5"	9'-0"	22'-10"	4'-0"

CULVERT HEADWALL EXTENSION

F.A.P. RTE.	SECTION	COUNTY	TOTAL SHEETS	SHEET NO.
*	2010-004-GRR	McHENRY	16	12
* VARIOUS		CONTRACT NO. 60K22		
ILLINOIS FED. AID PROJECT				

GRAEF	10-25-2010
DESIGNED	J.Z.
CHECKED	J.A.Z.
DRAWN	E.U.B.
CHECKED	J.A.Z.

n:\jobs\2009\20093023-41\CAD\Site\pgr\00_01\60K22-shl-Headwall01.dgn
 10/25/2010