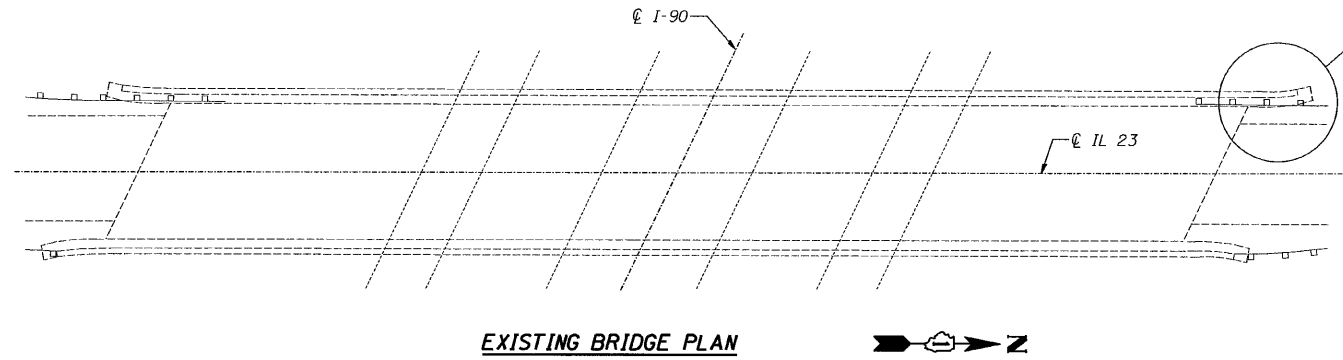
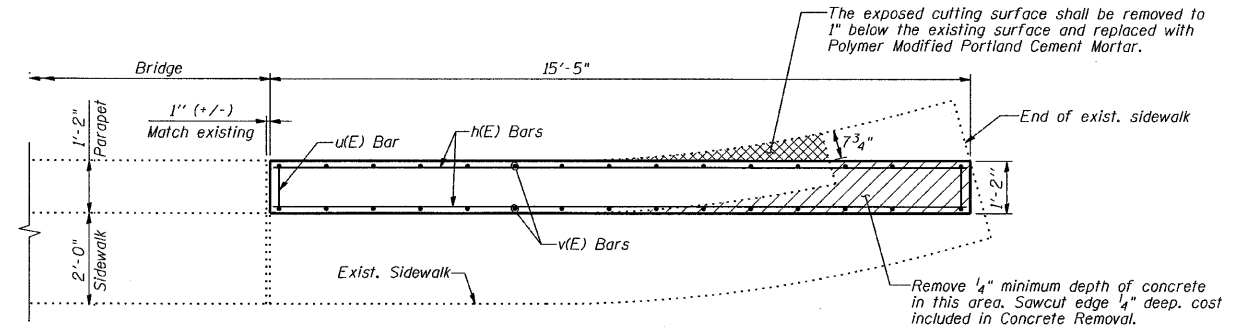


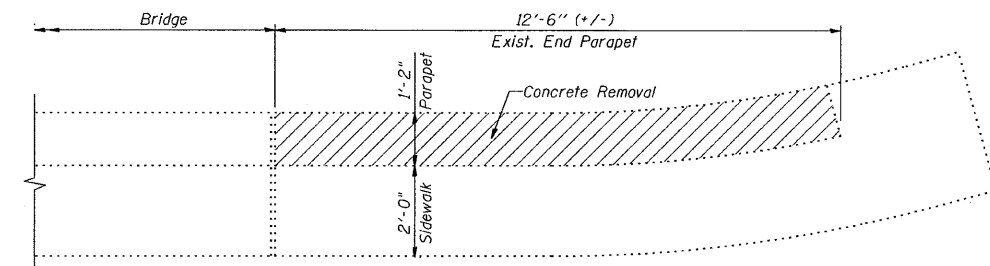
STATE OF ILLINOIS
DEPARTMENT OF TRANSPORTATION



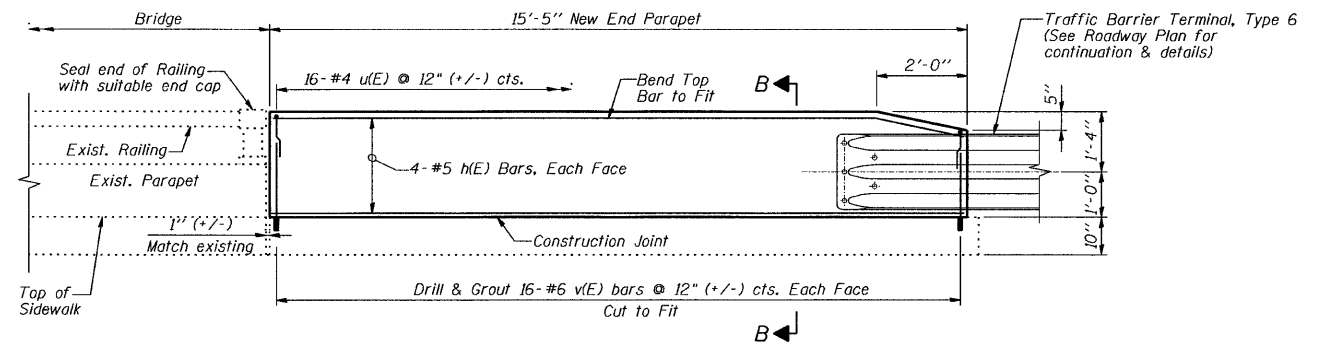
Remove and replace end parapet.
Typ. at each corner of the bridge.
See details on this Sheet.



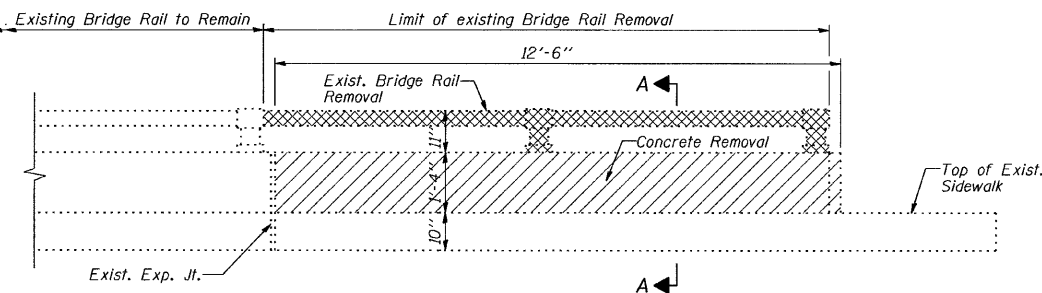
NEW END PARAPET PLAN



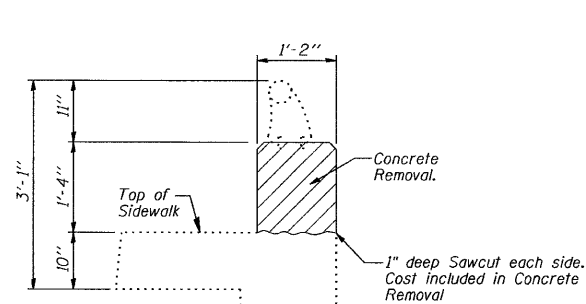
CONCRETE REMOVAL PLAN



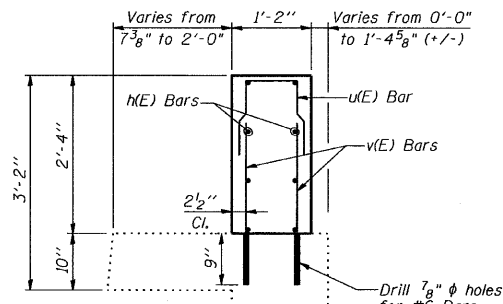
NEW END PARAPET ELEVATION (FRONT VIEW)



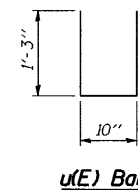
REMOVAL ELEVATION



SECTION A-A



SECTION B-B



NOTES

1. Reinforcement bars shall conform to the requirements of ASTM A 706 Gr. 60. See Special Provisions.
2. Reinforcement bars designated (E) shall be epoxy coated.
3. Plan dimensions and details relative to existing plans are subject to nominal construction variations. The Contractor shall field verify existing dimensions and details affecting new construction and make necessary approved adjustments prior to construction or ordering of materials. Such variations shall not be cause for additional compensation for a change in scope of the work, however, the Contractor will be paid for the quantity actually furnished at the unit price bid for the work.
4. Drilling and grouting bars shall be in accordance with Section 584 of the Standard Specifications.

BILL OF MATERIAL

Bar	No.	Size	Length	Shape
h (E)	32	#5	15'-1"	—
v (E)	128	#6	2'-10"	—
u (E)	64	#4	3'-4"	U
Concrete Removal		Cu. Yd.	3.0	
Bridge Rail Removal		LF	56.0	
Concrete Superstructure		Cu. Yd.	6.2	
Reinforcement Bars, Epoxy Coated		Pound	4,760	
Polymer Modified Portland Cement Mortar		Sq. Ft.	9.0	

The quantities above include 4 new end parapets.

GRAEF	10-25-2010
DESIGNED	J.Z.
CHECKED	J.A.Z.
DRAWN	E.U.B.
CHECKED	J.A.Z.

STRUCTURE 056-0011 IL 23 OVER I-90				
F.A.P. RTE.	SECTION	COUNTY	TOTAL SHEETS	SHEET NO.
*	2010-004-GRR	McHENRY	16	14
* VARIOUS		CONTRACT NO. 60K22		
ILLINOIS FED. AID PROJECT				

h:\jbs2009\20093023-41\cad\site\dgn\00\160k22-snt-wingwall.dgn 10/25/2010